

PVC SQUARE FLOOR SINK

» 861 SERIES

SquareMax™

SPECIFICATION

Sioux Chief 861 Series SquareMax™ floor sink shall be used where necessary in drainage systems. Floor sink shall be molded from impact-modified PVC with Sch. 40 hub connection which conforms to ASTM D2665. Floor sink shall show no significant distortion at water temperatures up to 180°F. Strainer shall be heel-proof and shall meet all applicable load requirements for intended use. Floor sink shall be designed with a concrete anchor flange for solid installations. Sump area shall have smooth, pitched inner surfaces for quick and complete drainage. Designed in accordance with ASME A112.6.7-01.

MATERIALS

Strainer: PVC, nickel-bronze, stainless steel, ductile iron

Body: PVC

STRAINER LOAD RATING

PVC: 1,000 lbs. (Light duty)

Nickel-bronze: 2,400 lbs. (Medium duty)

Stainless steel: 3,500 lbs. (Medium duty)

Ductile iron: 7,500 lbs. (Heavy duty)

STRAINER FREE AREA

PVC: 44 in²

Nickel-bronze: 35 in²

Stainless steel: 35 in²

Ductile iron: 40 in²

DIMENSIONS

	2"	3"	4"	6"
A: Connection (Sch. 40 hub)	2"	3"	4"	6"
B: Overall height*	7 ⁷ / ₁₆ "	8 ⁵ / ₁₆ "	8 ⁷ / ₁₆ "	9 ¹ / ₂ "
C: Sump depth	6 ³ / ₈ "			
D: Top-to-flange	1 ¹ / ₂ "			
E: Flange diameter	14 ¹ / ₈ "			
F: Top diameter**	11 ³ / ₁₆ "			

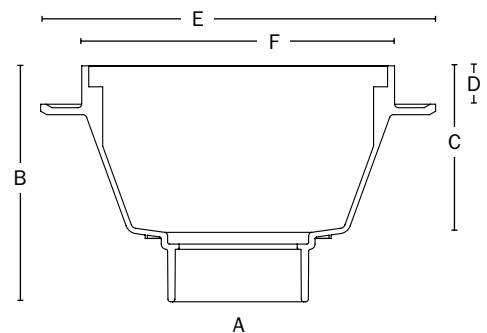
* Add 7/16" for nickel-bronze or stainless ring/strainer. Add 9/16" for ductile ring/strainer

** Add 9/16" for nickel-bronze, stainless or ductile ring/strainer

ITEM # SUBMITTED	_____
JOB NAME	_____
LOCATION	_____
ENGINEER	_____
CONTRACTOR	_____
PO#	_____ TAG _____



861-3P2



Create Item Number

861-ABC

e.g. **861-3PZ2:** SquareMax™ floor sink with 3" hub connection and open-half, stainless strainer

CONNECTION A

- 2 = 2" Sch. 40 hub
- 3 = 3" Sch. 40 hub
- 4 = 4" Sch. 40 hub
- 6 = 6" Sch. 40 hub

STRAINER B

- PX = No strainer - sink only
- P = PVC strainer
- PN = Nickel-bronze ring/strainer
- PZ = Stainless steel ring/strainer
- Pi = Ductile iron ring/strainer

INSTALLED OPTIONS C

- D = PVC dome bottom strainer¹
- U = Aluminum dome bottom strainer²
- C = PVC clamping collar
- W = Stainless steel mesh debris basket
- 2 = Open-half strainer²
- 2S = Open-half strainer - Split³
- 3 = Open-quarter strainer
- V = Vandal-resistant strainer screws
- T = Tapped trap primer port - 1/2" FIP
- F = Round nickel-bronze condensate funnel
- FA = Round aluminum condensate funnel
- FO = Oval nickel-bronze condensate funnel
- 6 = PVC flat bottom strainer¹

ACCESSORIES (ordered separately)

- 861-D = PVC dome bottom strainer¹
- 863-U = Aluminum dome bottom strainer¹
- 861-C = PVC clamping collar with screws
- 861-UM = Stainless mesh debris basket
- 861-6 = PVC flat bottom strainer¹
- 863-F = Round nickel-bronze condensate funnel
- 863-FA = Round aluminum condensate funnel
- 863-FNO = Oval nickel-bronze condensate funnel

1 Not available for sinks with 6" connection

2 Not available for sinks with ductile iron strainer

3 Available for PVC strainer only