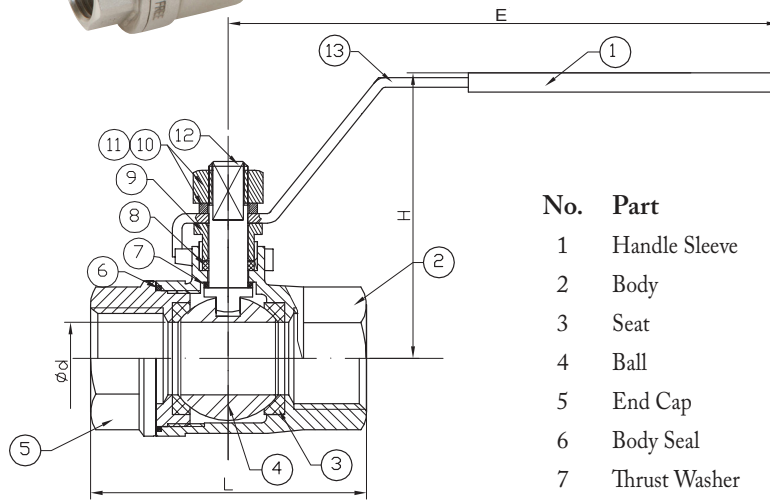


Series SC208 & SCL208

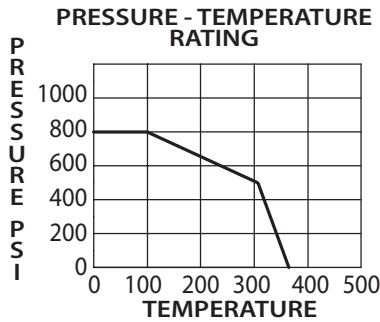
2-PIECE 304 STAINLESS BALL VALVE



- 800# CWP, 150# WSP
- Full Port
- Blow-Out Proof Stem
- Vacuum Service to 29" Hg
- MSS SP-10
- ISO 9001:2008 Manufacturer
- Locking Handle (SCL208 only)
- Lead Free



No.	Part	Material
1	Handle Sleeve	Plastic
2	Body	ASTM A351 GR CF8 (SS304)
3	Seat	RTFE
4	Ball	ASTM A351 GR CF8 (SS304)
5	End Cap	CF8 Stainless Steel (304)
6	Body Seal	PTFE
7	Thrust Washer	PTFE
8	Stem Packing	PTFE
9	Packing Nut	304 Stainless Steel
10	Handle Washer	304 Stainless Steel
11	Handle Nut	304 Stainless Steel
12	Stem	ASTM A276 T304
13	Handle	304 Stainless Steel



USA 800-766-0076

Fax 323-890-4456

www.smithcooper.com

Los Angeles, CA

Chicago, IL

Atlanta, GA

Vancouver, WA

Houston, TX

Size IN	Part Number		Weight LB	Ød IN	L IN	H IN	E IN
	Threaded	w/ Locking Handle					
1/4	SC208C	SCL208C	0.36	0.46	1.91	1.89	3.74
3/8	SC208E	SCL208E	0.35	0.49	1.91	1.89	3.74
1/2	SC208G	SCL208G	0.52	0.59	2.22	2.07	3.94
3/4	SC208I	SCL208I	0.95	0.79	2.56	2.34	4.92
1	SC208K	SCL208K	1.21	0.98	3.03	2.54	5.71
1-1/4	SC208L	SCL208L	1.95	1.26	3.43	2.95	6.30
1-1/2	SC208M	SCL208M	2.74	1.50	3.86	3.15	7.09
2	SC208N	SCL208N	4.44	1.97	4.63	3.66	7.09