

SCI  
**SMITH-COOPER**  
**COOPLOK™ GROOVED**



**2017 Grooved Catalog**  
[www.smithcooper.com](http://www.smithcooper.com)



## Fire Sprinkler Systems



## Mechanical - HVAC



## Oil Patch



## Irrigation






# You get it All. All in one place.



## *It's not just a quality product - it's a quality system*

Quality products are not enough. If you want every product to be a quality product, you need a quality system.

Every product that is branded with the  logo is manufactured to precise standards, and inspected twice. All materials and dimensions are carefully monitored and meet relevant standards, and the whole process complies with ISO 9001 Standards. The SCI Trademark on each product is 100% traceable, because we're 100% responsible.

SCI Quality Plus means our 50-year reputation for quality is built right in.



## *The best guarantee you'll never need*

The SCI 5/50 Guarantee says we will replace any pipe, valve or fitting for up to a full five years, when properly installed and operated, if failure is due to defects in material or workmanship.

Smith-Cooper will even pay \$50 to the installing contractor to offset the cost of installation (please see the SCI Warranty at [www.smithcooper.com](http://www.smithcooper.com) for details).

We think that means we offer the highest quality pipe, valves and fittings available. Quality we stand behind for a full five years. Which makes it just that much easier for you to offer your customers the same high standards of quality and service.

And that, in the end, is what we're all here for.



## *The benchmark of packaging & improved logistics*

Standardized carton sizes. Large wraparound labels. Packaging that's color coded by product line. And - outside of every box - a nice, clean picture of what's inside every box.

SCI's Pro Pak System is a big idea that makes it possible for you to cut costs and improve service, simply by making it easier. From shipping and handling to tracking and reordering. And, at the same time, you'll be using your valuable warehouse space much more efficiently.



## *It's all about time.*

We understand that time is money which is why everything we do is designed to save you time. From our Quality Plus and Pro Pak systems to our 5/50 Guarantee, Smith-Cooper service adds value to each order you place.

With locations on the East and West coasts, Smith-Cooper also offers speedy delivery. Each order is packaged to the exacting standards you have come to expect from us, no matter where it ships. Since we pay more attention to you, you have time to pay more attention to your customers.






## QUALITY

- Manufacturing facility is ISO 9001:2008
- Quality inspections both at the overseas factory and our USA warehouses
- UL Listed & FM Approved – sizes up to 12"

## SERVICE

- Dedicated COOPLOK™ customer service staff
- Timely shipment of orders
- Faxed confirmation of every order
- Excellent fill rate
- ProPak™ System makes products easier to handle and warehouse

## TRACEABILITY

- The  logo is on all fittings, couplings, bolts, and gaskets
- Canadian Registration Number (CRN) available at [www.smithcooper.com](http://www.smithcooper.com) (does not include fabricated fittings)

## AVAILABILITY

- Stocked in orange paint or hot dipped galvanized
- Stocked throughout the USA – sizes 1" to 24"



**SCI ProPak™ System**

## PROTECTION

- USA engineering staff available
- \$7,000,000 product liability insurance

<b>Housing</b>	• Ductile Iron conforming to ASTM A-536, Grade 65-45-12
<b>Coatings</b>	• Orange paint • Hot dipped galvanized conforming to ASTM A-153
<b>Hardware</b>	• Electroplated track bolts conforming to ASTM A-183 with a minimum tensile strength of 110,000 psi • 100% magnetic particle inspection of each bolt
<b>Gaskets</b>	• Grade E - EPDM <b>Pre-Lubricated</b> (green stripe): Temperature Range: -30°F (-34°C) to +230°F (+110°C) • Grade T - Nitrile (orange stripe): Temperature Range: -20°F (-29°C) to +180°F (+82°C) • Grade O - Fluoroelastomer (blue stripe): Temperature Range: +20°F (-6°C) to +300°F (+149°C)
<b>Grooves</b>	• Dimensions to AWWA C-606
<b>For Use With</b>	• IPS Carbon & Stainless Steel Pipe

# SMITH-COOPER<sup>®</sup>

## INTERNATIONAL

### GROOVED COUPLINGS, FITTINGS & VALVES

## TABLE OF CONTENTS

### **Couplings**

#### Standard Weight

Flexible – 65SF & 66SF.....	6-7
Rigid – 65SR & 66SR.....	8-9

#### Light Weight

Flexible – 65LF & 66LF.....	10-11
Rigid – 65LR & 66LR.....	12-13

#### High Pressure

Rigid – 65HP (Nitrile Gasket).....	14
Rigid – 65HP-ES (End Shield™ – Nitrile Gasket).....	15

#### Reducing & Flange Adapter

Reducing – 65RC & 66RC.....	16
Hinged Flange Adapter – 65FH & 66FH.....	17

### **Fittings**

#### Standard Radius

90° Elbow – 65E & 66E.....	18
45° Elbow – 65F & 66F.....	18
22½° Elbow – 65TT & 66TT.....	19
11¼° Elbow – 65EL & 66EL.....	19
Tee – 65T & 66T.....	20
Cross – 65X & 66X.....	20
Grooved x Flange Adapter – 65FA & 66FA.....	20
Grooved Cap – 65C & 66C.....	21
Grooved Cap with Center Tap– 65CT.....	21
Adapter Elbow – 65AE & 66AE.....	21

#### Reducers

Tee – 65RT & 66RT.....	22
Tee – Grooved x Male NPT – 65RTT & 66RTT.....	23
Concentric – 65CR & 66CR.....	24
Concentric – Grooved x Male NPT – 65CRT & 66CRT.....	25
Eccentric – 65ER & 66ER.....	26

#### Long Radius - 1-½ D

90° Elbow – 65ELR & 66ELR.....	27
45° Elbow – 65FLR & 66FLR.....	27

#### Wye & Lateral

True Wye – 65Y & 66Y.....	28
45° Lateral – 65LY & 66LY.....	28

#### Short Radius

Short Radius 90° Elbow – 65ES & 66ES.....	29
Short Radius Tee – 65TS & 66TS.....	29

#### Drain

Cap – 65DC & 66DC.....	29
Elbow – 65DE & 66DC.....	29

### **Branch Outlets**

#### Mechanical Tee

Grooved – 65MG & 66MG.....	32
NPT – 65MT & 66MT.....	30-31

#### Strap Tee

Strap Tee – 65MU & 66MU.....	33
------------------------------	----

### **Valves**

#### Grooved End Butterfly Valves

Lever Handle – 67BFVGEL & 67BFVGNL.....	34
Gear Operator – 65BFVGEG & 67BFVGNL.....	34
Low Profile Butterfly Valve - 67LPN.....	35

#### UL/FM Butterfly Valves

Wafer – 67BFVWET.....	36
Grooved – 67BFVGET.....	37

#### Check Valves

Grooved Swing Check Valve with Bonnet –67CVO.....	35
Grooved Check Valve – 67CV.....	38
UL/FM Grooved Riser Check Valve – 67CVR.....	38

### **Technical Information**

Pressure Ratings and End Loads.....	39
-------------------------------------	----

#### Installation Instructions

Couplings.....	40
Hinged Flanged Adapter.....	41
Mechanical & Strap Tees.....	41
UL/FM Grooved & Wafer Butterfly Valves.....	42
Check Valves.....	43

#### Groove Specifications

Roll Groove.....	44
Cut Groove.....	45
End Shield™ Cut and Roll Groove.....	46

#### Gasket Information

Gasket Types.....	47
Gasket Grades & Applications.....	48
Chemical Services.....	49-51

#### Replacement Parts

Replacement Gaskets.....	52
Replacement Track Bolts & Hex Nuts.....	53

#### Approvals & Warranty

MasterSpec® Listing.....	54
Pipe Approvals.....	54
Terms & Conditions.....	55
Warranty and Limitations of Liability.....	55




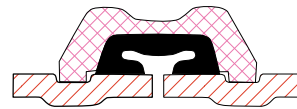
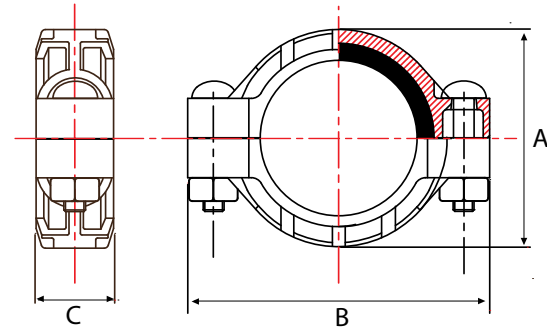
# Standard Weight Flexible Couplings



**Fig. 65SF & 66SF**

## Standard Weight Flexible Coupling with "C" Gasket

- Maximum working pressure depending on coupling size and schedule of pipe:
  - 1" to 6" - 1000 psi (68.9 bar)
  - 8" to 12" - 800 psi (55.1 bar)
  - 14" to 20" - 300 psi (20.6 bar)
  - 24" - 250 psi (17.2 bar)
- UL Listed & FM Approved – 1" thru 12"
- All housings, gaskets and bolts identified by SCI logo
- Gaskets are Pre-Lubricated
- Gasket Grade E - EPDM (green stripe) -30°F (-34°C) to +230°F (+110°C)
- Gasket Grade T - Nitrile (orange stripe) -20°F (-29°C) to +180°F (+82°C)
- Gasket Grade O - Fluoroelastomer (blue stripe) +20°F (-6°C) to +300°F (+149°C)
- Ductile iron housings conform to ASTM A-536 Grade 65-45-12
- Groove dimensions to AWWA C-606
- Finishes: Orange enamel paint
  - Hot dipped galvanized conforming to ASTM A-153
- Smith-Cooper Warranty only applies to assemblies made with housings, gaskets and bolts carrying the  logo



**"C" Style Gasket**

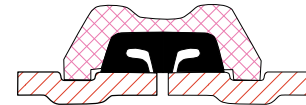
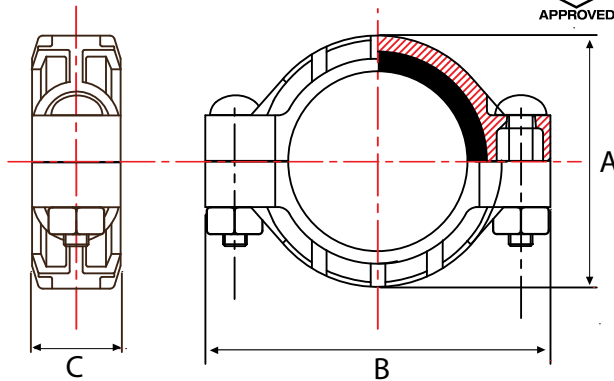
Pipe Size in / mm	Part Number		Pipe OD in / mm	Max Pipe End Gap in / mm	Dimensions			Deflection Degrees	Number of Sections	Case Qty	Weight lb / kg
	Painted	Galvanized			A in / mm	B in / mm	C in / mm				
1 25	65SF3010	66SF3010	1.315 33.7	1/8 3.2	2.34 59.5	3.94 100.0	1.73 44.0	2.3	2	26	1.3 0.6
1-1/4 32	65SF3012	66SF3012	1.660 42.2	1/8 3.2	2.70 68.5	4.41 112.0	1.89 48.0	2.1	2	24	2.2 1.0
1-1/2 40	65SF3014	66SF3014	1.900 48.3	1/8 3.2	2.93 74.5	4.69 119.0	1.89 48.0	1.9	2	24	2.3 1.0
2 50	65SF3020	66SF3020	2.375 60.3	1/8 3.2	3.48 88.5	5.20 132.0	1.89 48.0	2.0	2	20	2.5 1.1
2-1/2 65	65SF3024	66SF3024	2.875 73.0	1/8 3.2	4.04 102.5	5.71 145.0	1.89 48.0	2.3	2	16	3.0 1.4
3 80	65SF3030	66SF3030	3.500 88.9	1/8 3.2	4.63 117.5	6.50 165.0	1.89 48.0	2.0	2	16	3.3 1.5
4 100	65SF3040	66SF3040	4.500 114.3	1/4 6.4	6.00 152.4	8.35 212.0	2.13 54.0	2.2	2	8	6.1 2.8
5 125	65SF3050	66SF3050	5.563 141.3	1/4 6.4	7.07 179.5	10.04 255.0	2.13 54.0	1.8	2	6	8.5 3.9
6 150	65SF3060	66SF3060	6.625 168.3	1/4 6.4	8.31 211.0	11.42 290.0	2.15 54.5	1.6	2	4	10.6 4.8
8 200	65SF3080	66SF3080	8.625 219.1	1/4 6.4	10.35 263.0	13.62 346.0	2.48 63.0	1.4	2	-	16.4 7.5
10 250	65SF3100	66SF3100	10.750 273.0	1/4 6.4	12.87 327.0	16.61 422.0	2.64 67.0	1.2	2	-	25.3 11.5
12 300	65SF3120	66SF3120	12.750 323.9	1/4 6.4	14.88 378.0	18.66 474.0	2.64 67.0	1.1	2	-	29.6 13.4
14 350	65SF3140	66SF3140	14.000 355.6	1/4 6.4	15.94 405.0	19.96 507.0	2.91 74.0	1.0	4	-	39.2 17.8
16 400	65SF3160	66SF3160	16.000 406.4	1/4 6.4	17.72 450.0	22.01 559.0	2.91 74.0	0.9	4	-	42.9 19.5
18 450	65SF3180	66SF3180	18.000 457.6	1/4 6.4	20.08 510.0	24.53 623.0	3.15 80.0	0.8	4	-	54.0 24.5
20 500	65SF3200	66SF3200	20.000 508.0	1/4 6.4	22.09 561.0	26.57 675.0	3.15 80.0	0.7	4	-	57.3 26.0
24 600	65SF3240	66SF3240	24.000 609.6	1/4 6.4	26.10 663.0	30.59 777.0	3.15 80.0	0.6	6	-	76.9 34.9





**Fig. 65SFTRI & 66SFTRI**  
**Standard Weight Flexible Coupling with Triple Seal Gasket**

- Maximum working pressure depending on coupling size and schedule of pipe:  
 1" to 6" - 1000 psi (68.9 bar)  
 8" - 800 psi (55.1 bar)
- All housings, gaskets and bolts identified by SCI logo
- Gasket Grade E - EPDM (green stripe) -30°F (-34°C) to +230°F (+110°C)
- Other gasket materials available by special order
- Ductile iron housings conform to ASTM A-536 Grade 65-45-12
- Groove dimensions to AWWA C-606
- Finishes: Orange enamel paint  
 Hot dipped galvanized conforming to ASTM A-153
- Smith-Cooper Warranty only applies to assemblies made with housings, gaskets and bolts carrying the SCI logo



**Triple Seal Gasket – EPDM**

Pipe Size in / mm	Part Number		Pipe OD in / mm	Max Pipe End Gap in / mm	Dimensions			Deflection Degrees	Number of Sections	Case Qty	Weight lb / kg
	Painted	Galvanized			A in / mm	B in / mm	C in / mm				
1-1/4 32	65SFTRI3012	66SFTRI3012	1.660 42.2	1/8 3.2	2.70 68.5	4.41 112.0	1.89 48.0	2.1	2	24	2.2 1.0
1-1/2 40	65SFTRI3014	66SFTRI3014	1.900 48.3	1/8 3.2	2.93 74.5	4.69 119.0	1.89 48.0	1.9	2	24	2.3 1.0
2 50	65SFTRI3020	66SFTRI3020	2.375 60.3	1/8 3.2	3.48 88.5	5.20 132.0	1.89 48.0	2.0	2	20	2.5 1.1
2-1/2 65	65SFTRI3024	66SFTRI3024	2.875 73.0	1/8 3.2	4.04 102.5	5.71 145.0	1.89 48.0	2.3	2	16	3.0 1.4
3 80	65SFTRI3030	66SFTRI3030	3.500 88.9	1/8 3.2	4.63 117.5	6.50 165.0	1.89 48.0	2.0	2	16	3.3 1.5
4 100	65SFTRI3040	66SFTRI3040	4.500 114.3	1/4 6.4	6.00 152.4	8.35 212.0	2.13 54.0	2.2	2	8	6.1 2.8
5 125	65SFTRI3050	66SFTRI3050	5.563 141.3	1/4 6.4	7.07 179.5	10.04 255.0	2.13 54.0	1.8	2	6	8.5 3.9
6 150	65SFTRI3060	66SFTRI3060	6.625 168.3	1/4 6.4	8.31 211.0	11.42 290.0	2.15 54.5	1.6	2	4	10.6 4.8
8 200	65SFTRI3080	66SFTRI3080	8.625 219.1	1/4 6.4	10.35 263.0	13.62 346.0	2.48 63.0	1.4	2	-	16.4 7.5


*Please see complete installation instructions at [www.smithcooper.com](http://www.smithcooper.com) for important guidelines and limitations on the use and applications of COOPLOK™ Grooved Couplings and Fittings.*

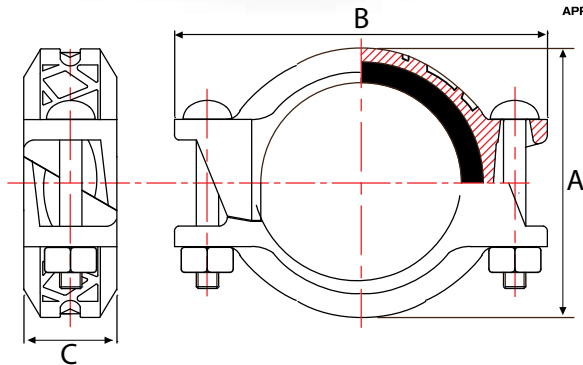


# Standard Weight Rigid Couplings



**Fig. 65SR & 66SR**  
**Standard Weight Rigid Coupling with "C" Gasket**

- Maximum working pressure depending on coupling size and schedule of pipe:
  - 1" to 6" - 1000 psi (68.9 bar)
  - 8" - 800 psi (55.1 bar)
  - 10" & 12" - 600 psi (41.3 bar)
  - 14" to 20" - 300 psi (20.6 bar)
  - 24" - 250 psi (17.2 bar)
- UL Listed & FM Approved – 1" thru 12"
- All housings, gaskets and bolts identified by SCI logo
- Gaskets are Pre-Lubricated
- Gasket Grade E - EPDM (green stripe) -30°F (-34°C) to +230°F (+110°C)
- Gasket Grade T - Nitrile (orange stripe) -20°F (-29°C) to +180°F (+82°C)
- Gasket Grade O - Fluoroelastomer (blue stripe) +20°F (-6°C) to +300°F (+149°C)
- Ductile iron housings conform to ASTM A-536 Grade 65-45-12
- Groove dimensions to AWWA C-606
- Finishes: Orange enamel paint
  - Hot dipped galvanized conforming to ASTM A-153
- Smith-Cooper Warranty only applies to assemblies made with housings, gaskets and bolts carrying the  logo



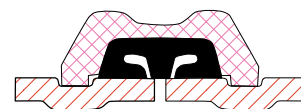
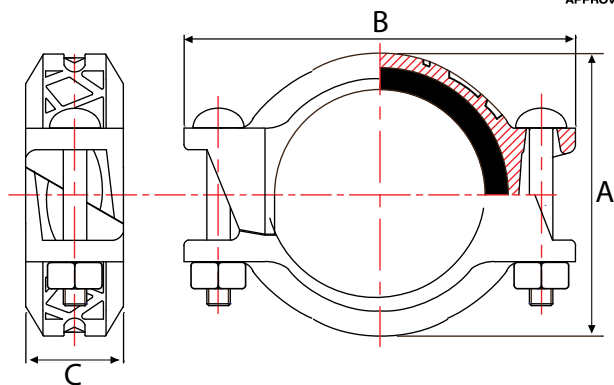
Pipe Size in / mm	Part Number		Pipe OD in / mm	Max Pipe End Gap in / mm	Dimensions			Number of Sections	Case Qty	Weight lb / kg
	Painted	Galvanized			A in / mm	B in / mm	C in / mm			
1 25	65SR3010	66SR3010	1.315 33.7	1/16 1.6	2.34 59.5	3.94 100.0	1.73 44.0	2	26	1.3 0.6
1-1/4 32	65SR3012	66SR3012	1.660 42.2	1/16 1.6	2.74 69.5	4.25 108.0	1.85 47.0	2	32	1.6 0.7
1-1/2 40	65SR3014	66SR3014	1.900 48.3	1/16 1.6	2.97 75.5	4.49 114.0	1.85 47.0	2	32	1.7 0.8
2 50	65SR3020	66SR3020	2.375 60.3	1/16 1.6	3.48 88.5	4.88 124.0	1.89 48.0	2	24	2.2 1.0
2-1/2 65	65SR3024	66SR3024	2.875 73.0	1/16 1.6	4.00 101.5	4.79 147.0	1.89 48.0	2	16	2.8 1.3
3 80	65SR3030	66SR3030	3.500 88.9	1/16 1.6	4.59 116.5	6.38 162.0	1.89 48.0	2	16	3.2 1.4
4 100	65SR3040	66SR3040	4.500 114.3	1/8 3.2	5.87 149.0	7.72 196.0	2.09 53.0	2	10	5.0 2.2
5 125	65SR3050	66SR3050	5.563 141.3	1/8 3.2	6.95 176.5	9.29 236.0	2.09 53.0	2	6	6.7 3.0
6 150	65SR3060	66SR3060	6.625 168.3	1/8 3.2	8.15 207.0	10.55 268.0	2.09 53.0	2	5	8.1 3.7
8 200	65SR3080	66SR3080	8.625 219.1	1/8 3.2	10.24 260.0	13.23 336.0	2.56 65.0	2	-	14.3 6.5
10 250	65SR3100	66SR3100	10.750 273.0	1/8 3.2	12.71 323.0	15.82 402.0	2.56 65.0	2	-	20.7 9.4
12 300	65SR3120	66SR3120	12.750 323.9	1/8 3.2	14.92 379.0	18.03 458.0	2.56 65.0	2	-	25.4 11.5
14 350	65SR3140	66SR3140	14.000 355.6	1/8 3.2	16.02 407.0	19.45 494.0	2.87 73.0	3	-	33.5 15.2
16 400	65SR3160	66SR3160	16.000 406.4	1/8 3.2	18.03 458.0	21.50 546.0	2.87 73.0	3	-	36.9 16.7
18 450	65SR3180	66SR3180	18.000 457.6	1/8 3.2	20.16 512.0	23.46 596.0	2.99 76.0	3	-	9.4 17.9
20 500	65SR3200	66SR3200	20.000 508.0	1/8 3.2	22.13 562.0	26.06 662.0	3.07 78.0	4	-	53.9 24.5
24 600	65SR3240	66SR3240	24.000 609.6	1/8 3.2	26.14 664.0	30.08 764.0	3.07 78.0	4	-	69.0 31.3





**Fig. 65SRTRI & 66SRTRI**  
**Standard Weight Rigid Coupling with Triple Seal Gasket**

- Maximum working pressure depending on coupling size and schedule of pipe:  
 1" to 6" - 1000 psi (68.9 bar)  
 8" - 800 psi (55.1 bar)
- All housings, gaskets and bolts identified by SCI logo
- Gasket Grade E - EPDM (green stripe) -30°F (-34°C) to +230°F (+110°C)
- Other gasket materials available by special order
- Ductile iron housings conform to ASTM A-536 Grade 65-45-12
- Groove dimensions to AWWA C-606
- Finishes: Orange enamel paint  
 Hot dipped galvanized conforming to ASTM A-153
- Smith-Cooper Warranty only applies to assemblies made with housings, gaskets and bolts carrying the SCI logo



**Triple Seal Gasket – EPDM**

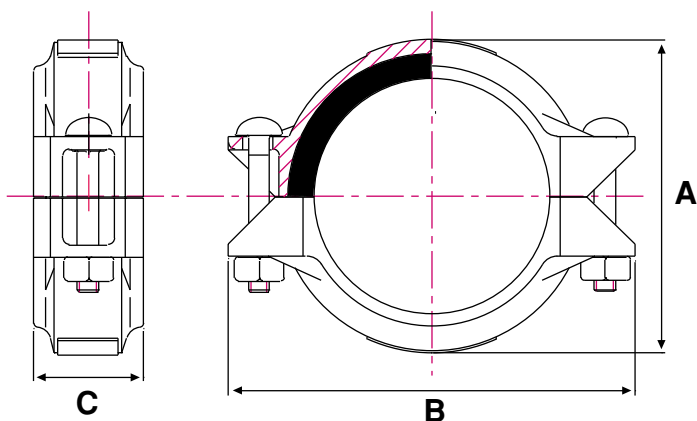
Pipe Size in / mm	Part Number		Pipe OD in / mm	Max Pipe End Gap in / mm	Dimensions			Number of Sections	Case Qty	Weight lb / kg
	Painted	Galvanized			A	B	C			
1-1/4 32	65SRTRI3012	66SRTRI3012	1.660 42.2	1/16 1.6	2.74 69.5	4.25 108.0	1.85 47.0	2	32	1.6 0.7
1-1/2 40	65SRTRI3014	66SRTRI3014	1.900 48.3	1/16 1.6	2.97 75.5	4.49 114.0	1.85 47.0	2	32	1.7 0.8
2 50	65SRTRI3020	66SRTRI3020	2.375 60.3	1/16 1.6	3.48 88.5	4.88 124.0	1.89 48.0	2	24	2.2 1.0
2-1/2 65	65SRTRI3024	66SRTRI3024	2.875 73.0	1/16 1.6	4.00 101.5	4.79 147.0	1.89 48.0	2	16	2.8 1.3
3 80	65SRTRI3030	66SRTRI3030	3.500 88.9	1/16 1.6	4.59 116.5	6.38 162.0	1.89 48.0	2	16	3.2 1.5
4 100	65SRTRI3040	66SRTRI3040	4.500 114.3	1/8 3.2	5.87 149.0	7.72 196.0	2.09 53.0	2	10	5.0 2.3
5 125	65SRTRI3050	66SRTRI3050	5.563 141.3	1/8 3.2	6.95 176.5	9.29 236.0	2.09 53.0	2	6	6.7 3.0
6 150	65SRTRI3060	66SRTRI3060	6.625 168.3	1/8 3.2	8.15 207.0	10.55 268.0	2.09 53.0	2	5	8.1 3.7
8 200	65SRTRI3080	66SRTRI3080	8.625 219.1	1/8 3.2	10.24 260.0	13.23 336.0	2.56 65.0	2	-	14.3 6.5

*Please see complete installation instructions at [www.smithcooper.com](http://www.smithcooper.com) for important guidelines and limitations on the use and applications of COOPLOK™ Grooved Couplings and Fittings.*



**Fig. 65LF & 66LF**  
**Lightweight Flexible Coupling with "C" Gasket**

- Maximum working pressure 500 psi (34.5 bar) depending on coupling size and schedule of pipe
- All housings, gaskets and bolts identified by SCI logo
- 100% magnetic particle inspection of each bolt
- Each bolt has a minimum tensile strength of 110,000 psi
- Gaskets are Pre-Lubricated
- Gasket Grade E - EPDM (green stripe) -30°F (-34°C) to +230°F (+110°C)
- Gasket Grade T - Nitrile (orange stripe) -20°F (-29°C) to +180°F (+82°C)
- Gasket Grade O - Fluoroelastomer (blue stripe) +20°F (-6°C) to +300°F (+149°C)
- Ductile iron housings conform to ASTM A-536 Grade 65-45-12
- Groove Dimensions to AWWA C-606
- Finishes: Orange enamel paint  
Hot dipped galvanized conforming to ASTM A-153
- Smith-Cooper Warranty only applies to assemblies made with housings, gaskets and bolts carrying the logo

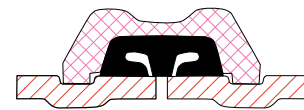
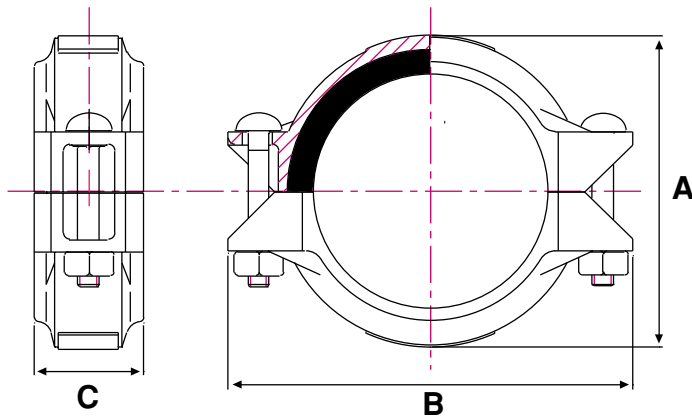


Pipe Size in / mm	Part Number		Pipe OD in / mm	Max Pipe End Gap in / mm	Dimensions			Deflection Degrees	Case Qty	Weight lb / kg
	Painted	Galvanized			A in / mm	B in / mm	C in / mm			
1-1/4 32	65LF3012	66LF3012	1.660 42.2	1/8 3.2	2.58 65.5	4.09 103.9	1.85 47.0	2.1°	24	1.2 0.5
1-1/2 40	65LF3014	66LF3014	1.900 48.3	1/8 3.2	2.85 72.4	4.37 111.0	1.85 47.0	1.9°	36	1.3 0.6
2 50	65LF3020	66LF3020	2.375 60.3	1/8 3.2	3.37 85.6	4.80 121.9	1.85 47.0	2.0°	30	1.7 0.8
2-1/2 65	65LF3024	66LF3024	2.875 73.0	1/8 3.2	3.88 98.6	5.28 134.1	1.85 47.0	2.3°	24	1.9 0.9
3 80	65LF3030	66LF3030	3.500 88.9	1/8 3.2	4.40 111.8	5.91 150.1	1.85 47.0	2.0°	20	2.2 1.0
4 100	65LF3040	66LF3040	4.500 114.3	1/4 6.4	5.75 146.1	7.44 189.0	2.01 51.1	2.2°	10	3.6 1.6
5 125	65LF3050	66LF3050	5.563 141.3	1/4 6.4	6.79 172.5	9.13 231.9	2.01 51.1	1.8°	8	5.1 2.3
6 150	65LF3060	66LF3060	6.625 168.3	1/4 6.4	7.95 201.9	10.31 261.9	2.01 51.1	1.6°	5	6.0 2.7
8 200	65LF3080	66LF3080	8.625 219.1	1/4 6.4	10.80 274.3	13.07 332.0	2.52 64.0	1.4°	-	10.7 4.8

**Fig. 65LFTRI & 66LFTRI**

**Lightweight Flexible Coupling with Triple Seal Gasket**

- Maximum working pressure 500 psi (34.5 bar) depending on coupling size and schedule of pipe
- All housings, gaskets and bolts identified by SCI logo
- 100% magnetic particle inspection of each bolt
- Each bolt has a minimum tensile strength of 110,000 psi
- Gasket Grade E - EPDM (green stripe) -30°F (-34°C) to +230°F (+110°C)
- Ductile iron housings conform to ASTM A-536 Grade 65-45-12
- Groove dimensions to AWWA C-606
- Finishes: Orange enamel paint  
Hot dipped galvanized conforming to ASTM A-153
- Smith-Cooper Warranty only applies to assemblies made with housings, gaskets and bolts carrying the SCI logo



**Triple Seal Gasket – EPDM**

Pipe Size in / mm	Part Number		Pipe OD in / mm	Max Pipe End Gap in / mm	Dimensions			Deflection Degrees	Case Qty	Weight lb / kg
	Painted	Galvanized			A	B	C			
1-1/4 32	65LFTRI3012	66LFTRI3012	1.660 42.2	1/8 3.2	2.58 65.5	4.09 103.9	1.85 47.0	2.1°	36	1.2 0.5
1-1/2 40	65LFTRI3014	66LFTRI3014	1.900 48.3	1/8 3.2	2.85 72.4	4.37 111.0	1.85 47.0	1.9°	36	1.3 0.6
2 50	65LFTRI3020	66LFTRI3020	2.375 60.3	1/8 3.2	3.37 85.6	4.80 121.9	1.85 47.0	2.0°	30	1.7 0.8
2-1/2 65	65LFTRI3024	66LFTRI3024	2.875 73.0	1/8 3.2	3.88 98.6	5.28 134.1	1.85 47.0	2.3°	24	1.9 0.9
3 80	65LFTRI3030	66LFTRI3030	3.500 88.9	1/8 3.2	4.40 111.8	5.91 150.1	1.85 47.0	2.0°	20	2.2 1.0
4 100	65LFTRI3040	66LFTRI3040	4.500 114.3	1/4 6.4	5.75 146.1	7.44 189.0	2.01 51.1	2.2°	18	3.6 1.6
5 125	65LFTRI3050	66LFTRI3050	5.563 141.3	1/4 6.4	6.79 172.5	9.13 231.9	2.01 51.1	1.8°	12	5.1 2.3
6 150	65LFTRI3060	66LFTRI3060	6.625 168.3	1/4 6.4	7.95 201.9	10.31 261.9	2.01 51.1	1.6°	10	6.0 2.7
8 200	65LFTRI3080	66LFTRI3080	8.625 219.1	1/4 6.4	10.80 274.3	13.07 332.0	2.52 64.0	1.4°	-	10.7 4.8



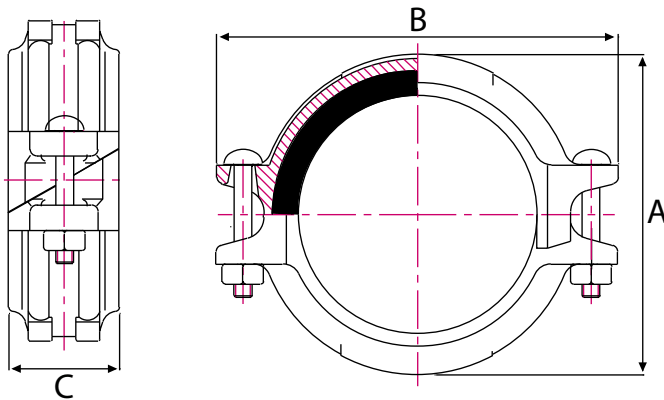


# Lightweight Rigid Couplings



**Fig. 65LR & 66LR**  
**Lightweight Rigid Coupling with “C” Gasket**

- Maximum working pressure 500 psi (34.5 bar) depending on coupling size and schedule of pipe
- All housings, gaskets and bolts identified by SCI logo
- 100% magnetic particle inspection of each bolt
- Each bolt has a minimum tensile strength of 110,000 psi
- Gaskets are Pre-Lubricated
- Gasket Grade E - EPDM (green stripe) -30°F (-34°C) to +230°F (+110°C)
- Gasket Grade T - Nitrile (orange stripe) -20°F (-29°C) to +180°F (+82°C)
- Gasket Grade O - Fluoroelastomer (blue stripe) +20°F (-6°C) to +300°F (+149°C)
- Ductile iron housings conform to ASTM A-536 Grade 65-45-12
- Groove dimensions to AWWA C-606
- Finishes: Orange enamel paint  
 Hot dipped galvanized conforming to ASTM A-153
- Smith-Cooper Warranty only applies to assemblies made with housings, gaskets and bolts carrying the SCI logo

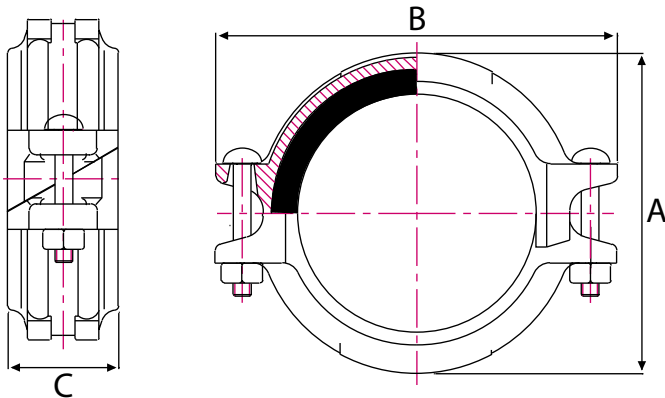


Pipe Size in / mm	Part Number		Pipe OD in / mm	Max Pipe End Gap in / mm	Dimensions			Case Qty	Weight lb / kg
	Painted	Galvanized			A in / mm	B in / mm	C in / mm		
1-1/4 32	65LR3012	66LR3012	1.660 42.2	1/16 1.6	2.66 67.6	4.09 103.9	1.85 47.0	24	1.3 0.6
1-1/2 40	65LR3014	66LR3014	1.900 48.3	1/16 1.6	2.93 74.4	4.37 111.0	1.85 47.0	36	1.4 0.6
2 50	65LR3020	66LR3020	2.375 60.3	1/16 1.6	3.44 87.4	4.80 121.9	1.85 47.0	30	1.7 0.8
2-1/2 65	65LR3024	66LR3024	2.875 73.0	1/16 1.6	3.96 100.6	5.28 134.1	1.85 47.0	24	2.0 0.9
3 80	65LR3030	66LR3030	3.500 88.9	1/16 1.6	4.55 115.6	5.91 150.1	1.85 47.0	20	2.2 1.0
4 100	65LR3040	66LR3040	4.500 114.3	1/8 3.2	5.83 148.1	7.28 184.9	2.01 51.1	10	3.4 1.5
5 125	65LR3050	66LR3050	5.563 141.3	1/8 3.2	6.87 174.5	8.62 218.9	2.01 51.1	8	4.4 2.0
6 150	65LR3060	66LR3060	6.625 168.3	1/8 3.2	8.03 204.0	9.76 247.9	2.01 51.1	6	5.4 2.4
8 200	65LR3080	66LR3080	8.625 219.1	1/8 3.2	10.16 258.1	12.52 318.0	2.52 64.0	-	10.5 4.8



**Fig. 65LRTRI & 66LRTRI**  
**Lightweight Rigid Coupling with Triple Seal Gasket**

- Maximum working pressure 500 psi (34.5 bar) depending on coupling size and schedule of pipe
- All housings, gaskets and bolts identified by SCI logo
- 100% magnetic particle inspection of each bolt
- Each bolt has a minimum tensile strength of 110,000 psi
- Gasket Grade E - EPDM (green stripe) -30°F (-34°C) to +230°F (+110°C)
- Other gasket materials available by special order
- Ductile iron housings conform to ASTM A-536 Grade 65-45-12
- Groove dimensions to AWWA C-606
- Finishes: Orange enamel paint  
 Hot dipped galvanized conforming to ASTM A-153
- Smith-Cooper Warranty only applies to assemblies made with housings, gaskets and bolts carrying the logo



Pipe Size in / mm	Part Number		Pipe OD in / mm	Max Pipe End Gap in / mm	Dimensions			Case Qty	Weight lb / kg
	Painted	Galvanized			A in / mm	B in / mm	C in / mm		
1-1/4 32	65LRTRI3012	66LRTRI3012	1.660 42.2	1/16 1.6	2.66 67.6	4.09 103.9	1.85 47.0	36	1.3 0.6
1-1/2 40	65LRTRI3014	66LRTRI3014	1.900 48.3	1/16 1.6	2.93 74.4	4.37 111.0	1.85 47.0	36	1.4 0.6
2 50	65LRTRI3020	66LRTRI3020	2.375 60.3	1/16 1.6	3.44 87.4	4.80 121.9	1.85 47.0	30	1.7 0.8
2-1/2 65	65LRTRI3024	66LRTRI3024	2.875 73.0	1/16 1.6	3.96 100.6	5.28 134.1	1.85 47.0	24	2.0 0.9
3 80	65LRTRI3030	66LRTRI3030	3.500 88.9	1/16 1.6	4.55 115.6	5.91 150.1	1.85 47.0	20	2.2 1.0
4 100	65LRTRI3040	66LRTRI3040	4.500 114.3	1/8 3.2	5.83 148.1	7.28 184.9	2.01 51.1	18	3.4 1.5
5 125	65LRTRI3050	66LRTRI3050	5.563 141.3	1/8 3.2	6.87 174.5	8.62 218.9	2.01 51.1	12	4.4 2.0
6 150	65LRTRI3060	66LRTRI3060	6.625 168.3	1/8 3.2	8.03 204.0	9.76 247.9	2.01 51.1	10	5.4 2.4
8 200	65LRTRI3080	66LRTRI3080	8.625 219.1	1/8 3.2	10.16 258.1	12.52 318.0	2.52 64.0	-	10.5 4.8




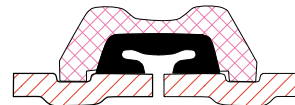
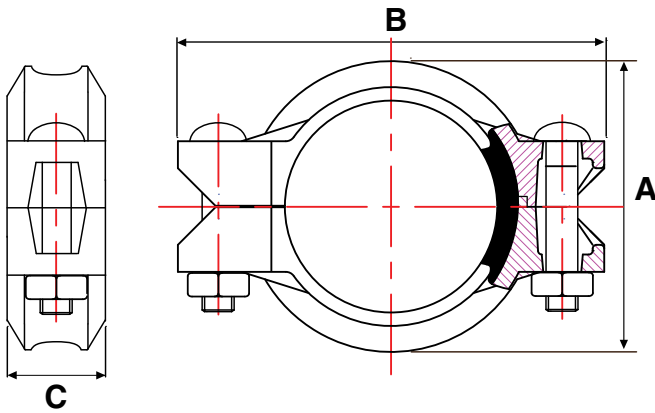
# High Pressure Rigid Coupling



**Fig. 65HP**

## High Pressure Rigid Coupling with "C" Gasket

- Maximum working pressure up to 1000 psi depending on coupling size and schedule of pipe
- All housings, gaskets and bolts identified by SCI logo
- 100% magnetic particle inspection of each bolt
- Each bolt has a minimum tensile strength of 110,000 psi
- Gasket Grade T - Nitrile (double orange stripe) -20°F (-29°C) to +180°F (+82°C)
- Ductile iron housings conform to ASTM A-536 Grade 65-45-12
- Groove dimensions to AWWA C-606
- Finish: Orange enamel paint
- Smith-Cooper Warranty only applies to assemblies made with housings, gaskets and bolts carrying the  logo



**"C" Style Gasket – Nitrile**

Pipe Size in / mm	Part Number Painted	Pipe OD in / mm	Max Pipe End Gap in / mm	Dimensions			Max Working Pressure* psi / kPa	Max End Load* lb / kg	Case Qty	Weight lb / kg
				A in / mm	B in / mm	C in / mm				
2 50	65HPN3020N	2.375 60.3	1/8 3.6	3.50 89.0	5.63 143.0	1.89 48.0	1000 6900	2950 1340	15	3.23 1.5
3 80	65HPN3030N	3.500 88.9	1/8 3.6	4.69 119.0	7.01 178.0	1.89 48.0	1000 6900	6600 3000	12	4.63 2.1
4 100	65HPN3040N	4.500 114.3	1/4 6.4	5.94 151.0	8.70 221.0	2.13 54.0	1000 6900	11920 5410	6	8.26 3.8
6 150	65HPN3060N	6.625 168.3	1/4 6.4	8.31 211.0	11.34 288.0	2.28 58.0	1000 6900	26000 11800	-	16.97 7.5

\* Maximum working pressure and maximum end load are determined from all internal and external loads, based on standard weight steel pipe, grooved per Smith-Cooper International (SCI) roll or cut grooved specifications.

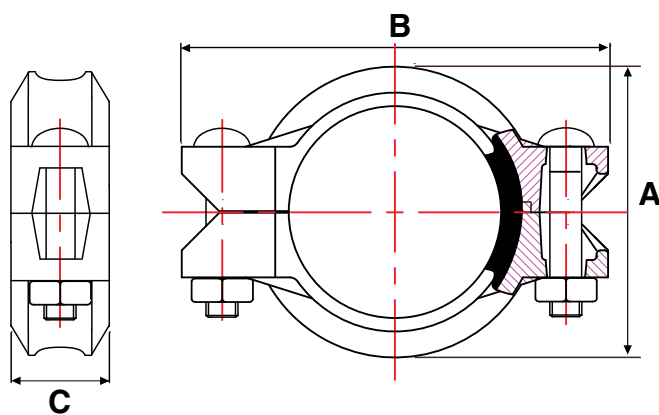
**Please see complete installation instructions at [www.smithcooper.com](http://www.smithcooper.com) for important guidelines and limitations on the use and applications of COOPLOK™ Grooved Couplings and Fittings.**





**Fig. 65HP-ES**  
**High Pressure Coupling with**  
**End Shield™ Gasket**

- Maximum working pressure up to 2500 psi depending on coupling size and schedule of pipe
- All housings, gaskets and bolts identified by SCI logo
- 100% magnetic particle inspection of each bolt
- Each bolt has a Minimum tensile strength of 110,000 psi
- Gasket Grade T - Nitrile (orange stripe) -20°F (-29°C) to +180°F (+82°C)
- Ductile iron housings conform to ASTM A-536 Grade 65-45-12
- May only be used with pipe grooves that match ES Groove specifications.
- Finish: Black Enamel Paint
- Smith-Cooper Warranty only applies to assemblies made with housings, gaskets and bolts carrying the logo
- **Extra Heavy “ES” End Shield™ fittings are available (fabricated steel); Schedule 80, cut grooved**  
 Contact Smith-Cooper International for fitting types and sizes.



**End Shield™ Gasket – Nitrile**

Pipe Size in / mm	Part Number Painted	Pipe OD in / mm	Max Pipe End Gap in / mm	Dimensions			Max Working Pressure* psi / kPa	Max End Load* lb / kg	Case Qty	Weight lb / kg
				A in / mm	B in / mm	C in / mm				
2 50	65HPES3020	2.375 60.3	3/16 4.8	3.50 89.0	5.63 143.0	1.89 48.0	2500 17250	7350 3340	15	3.3 1.5
3 80	65HPES3030	3.500 88.9	3/16 4.8	4.69 119.0	7.01 178.0	1.89 48.0	2500 17250	16500 7500	12	4.3 1.9
4 100	65HPES3040	4.500 114.3	3/16 4.8	5.94 151.0	8.70 221.0	2.13 54.0	2500 17250	28700 13000	6	7.9 3.6
6 150	65HPES3060	6.625 168.3	1/4 6.7	8.31 211.0	11.34 288.0	2.28 58.0	2000 13800	63100 28600	—	14.8 6.7

\* Maximum working pressure and maximum end load are determined from all internal and external loads, based on standard weight steel pipe, grooved per Smith-Cooper International (SCI) End Shield™ (ES) Cut Groove Specifications.

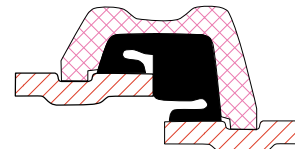
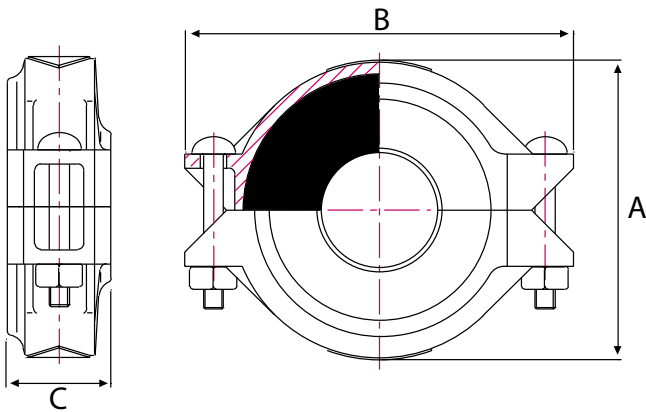
**NOTE:**

65HP-ES couplings are not designed for, and cannot be used with, COOPLOK™ Grooved fittings or 67 Series Grooved Butterfly Valves. Refer to End Shield™ (ES) Cut Groove Specifications.



**Fig. 65RC & 66RC**  
**Reducing Coupling**

- Maximum working pressure 300 psi (20.7 bar) depending on coupling size and schedule of pipe
- All housings, gaskets and bolts identified by SCI logo
- 100% magnetic particle inspection of each bolt
- Each bolt has a minimum tensile strength of 110,000 psi
- Gaskets are Pre-Lubricated
- Gasket Grade E - EPDM (green stripe) -30°F (-34°C) to +230°F (+110°C)
- Gasket Grade T - Nitrile (orange stripe) -20°F (-29°C) to +180°F (+82°C)
- Other gasket materials available by special order
- Ductile iron housings conform to ASTM A-536 Grade 65-45-12
- Groove dimensions to AWWA C-606
- Finishes: Orange enamel paint  
Hot dipped galvanized conforming to ASTM A-153
- Smith-Cooper Warranty only applies to assemblies made with housings, gaskets and bolts carrying the logo



**Reducing Gasket**

Pipe Size in / mm	Part Number		Max Pipe End Gap in / mm	Dimensions			Deflection Degrees	Case Qty	Weight lb / kg
	Painted	Galvanized		A	B	C			
2 x 1-1/2 50 x 40	65RC3020014	66RC3020014	1/8 3.2	3.43 87.1	4.88 124.0	1.85 47.0	2.0°	26	1.9 0.9
2-1/2 x 2 65 x 50	65RC3024020	66RC3024020	1/8 3.2	3.98 101.1	5.35 135.9	1.85 47.0	1.5°	22	2.3 1.0
3 x 2 80 x 50	65RC3030020	66RC3030020	1/8 3.2	4.51 114.5	6.34 161.0	1.85 47.0	1.8°	20	3.1 1.4
3 x 2-1/2 80 x 65	65RC3030024	66RC3030024	1/8 3.2	4.51 114.5	6.34 161.0	1.85 47.0	1.8°	20	3.0 1.3
4 x 2 100 x 50	65RC3040020	66RC3040020	1/4 6.4	5.83 148.1	7.52 191.0	2.01 51.1	1.2°	10	4.8 2.2
4 x 2-1/2 100 x 65	65RC3040024	66RC3040024	1/4 6.4	5.83 148.1	7.52 191.0	2.01 51.1	1.2°	10	4.8 2.2
4 x 3 100 x 80	65RC3040030	66RC3040030	1/4 6.4	5.83 148.1	7.52 191.0	2.01 51.1	1.2°	10	4.4 2.0
6 x 4 150 x 100	65RC3060040	66RC3060040	1/4 6.4	7.99 202.9	10.35 262.9	2.01 51.1	0.9°	-	9.0 4.1
8 x 6 200 x 150	65RC3080060	66RC3080060	1/4 6.4	10.12 257.0	13.15 334.0	2.48 63.0	0.8°	-	14.6 6.6

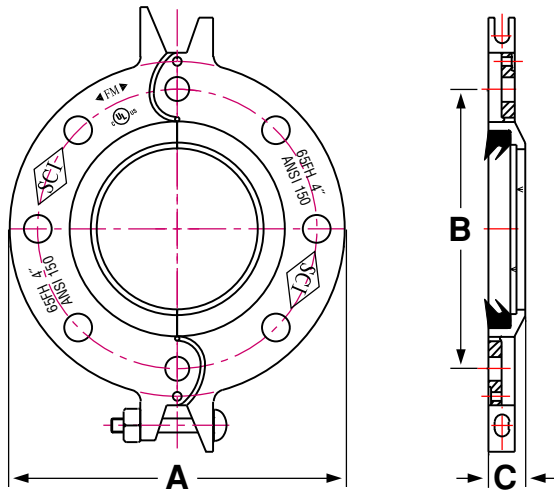


## Fig. 65FH & 66FH Hinged Flange Adapter

- Maximum working pressure 300 psi (20.7 bar) depending on flange size and schedule of pipe
- 3/8" x 2-3/4" latch bolt included
- SCI does not provide flange bolts
- All bolts and gaskets identified by SCI logo
- 100% magnetic particle inspection of each bolt
- Each bolt has a minimum tensile strength of 110,000 psi
- Gasket Grade E - EPDM (green stripe) -30°F (-34°C) to +230°F (+110°C)
- Gasket Grade T - Nitrile (orange stripe) -20°F (-29°C) to +180°F (+82°C)
- Ductile iron housings conform to ASTM A-536 Grade 65-45-12
- Groove dimensions to AWWA C-606
- Matches Class 125/150 flange dimensions
- Finishes: Orange enamel paint

Hot dipped galvanized conforming to ASTM A-153

- Smith-Cooper Warranty only applies to assemblies made with housings, gaskets and bolts carrying the SCI logo



## Fig. 65FHR Phenolic Flange Ring

- For use when mating to a rubber flange seal or wafer-style butterfly valve
- 1/8" thick fabric-reinforced, laminated phenolic
- Available upon request



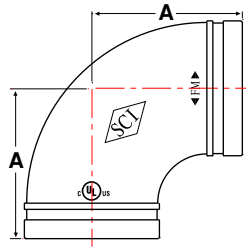
Phenolic Flange Ring

Pipe Size in / mm	Part Number		Pipe OD in / mm	Dimensions			Number of Flange Bolts	Case Qty	Weight lb / kg	Part Number Phenolic Flange Ring
	Painted	Galvanized		A	B	C				
2 50	65FH3020	66FH3020	2.375 60.3	6.00 152.4	4.75 120.7	0.75 19.1	4	10	3.6 1.6	65FHR020
2-1/2 65	65FH3024	66FH3024	2.875 73.0	7.00 177.8	5.50 139.7	0.88 22.4	4	10	3.6 1.6	65FHR024
3 80	65FH3030	66FH3030	3.500 88.9	7.50 190.5	6.00 152.4	0.94 23.9	4	10	4.8 2.2	65FHR030
4 100	65FH3040	66FH3040	4.500 114.3	9.00 228.6	7.50 190.5	0.94 23.9	8	10	6.6 3.0	65FHR040
5 125	65FH3050	66FH3050	5.563 141.3	10.00 254.0	8.50 215.9	0.94 23.9	8	-	8.1 3.7	65FHR050
6 150	65FH3060	66FH3060	6.625 168.3	11.00 279.4	9.50 241.3	1.00 25.4	8	-	8.4 3.8	65FHR060
8 200	65FH3080	66FH3080	8.625 219.1	13.50 342.9	11.75 298.5	1.12 28.4	8	-	14.3 6.5	65FHR080
10 250	65FH3100	66FH3100	10.750 273.0	16.00 406.4	14.25 361.9	1.19 30.2	12	-	19.4 8.0	65FHR100
12 300	65FH3120	66FH3120	12.750 323.9	19.00 482.6	17.00 431.8	1.25 31.7	12	-	28.8 13.0	65FHR120



**Fig. 65E & 66E**  
90° Elbow, Standard Radius

- Ductile Iron - Full Flow
- UL/FM – 1-1/4" to 12" only

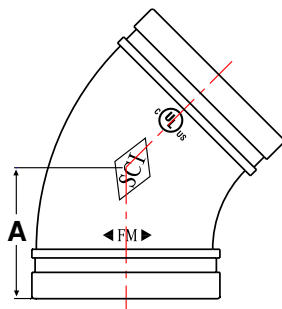


Pipe Size in / mm	Part Number		A in / mm	Case Qty	Weight lb / kg
	Painted	Galvanized			
1-1/4 32	65E 3012	66E 3012	2.75 69.9	50	1.0 0.4
1-1/2 40	65E 3014	66E 3014	2.75 69.9	36	1.2 0.5
2 50	65E 3020	66E 3020	3.25 82.6	20	2.1 0.9
2-1/2 65	65E 3024	66E 3024	3.75 95.3	12	2.7 1.2
3 80	65E 3030	66E 3030	4.25 108.0	8	3.8 1.7
4 100	65E 3040	66E 3040	5.00 127.0	8	7.6 3.4
5 125	65E 3050	66E 3050	5.50 139.7	-	10.6 4.8
6 150	65E 3060	66E 3060	6.50 165.1	-	15.7 7.1
8 200	65E 3080	66E 3080	7.75 196.9	-	28.7 13.0
10 250	65E 3100	66E 3100	9.00 229.0	-	50.7 23.0
12 300	65E 3120	66E 3120	10.00 254.0	-	70.1 31.8
14 350	65E 3140	66E 3140	14.00 356.0	-	106.9 48.5
16 400	65E 3160	66E 3160	16.00 406.0	-	158.7 72.0

18" through 24" sizes available upon request.

**Fig. 65F & 66F**  
45° Elbow, Standard Radius

- Ductile Iron - Full Flow
- UL/FM – 1-1/4" to 12" only

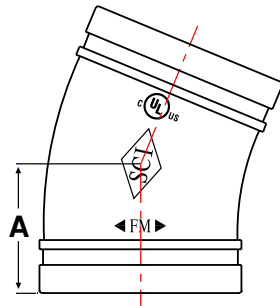


Pipe Size in / mm	Part Number		A in / mm	Case Qty	Weight lb / kg
	Painted	Galvanized			
1-1/4 32	65F 3012	66F 3012	1.75 44.5	65	0.7 0.3
1-1/2 40	65F 3014	66F 3014	1.75 44.5	55	0.8 0.4
2 50	65F 3020	66F 3020	2.00 50.8	30	1.5 0.7
2-1/2 65	65F 3024	66F 3024	2.25 57.2	20	2.0 0.9
3 80	65F 3030	66F 3030	2.50 63.5	10	2.8 1.3
4 100	65F 3040	66F 3040	3.00 76.2	6	4.7 2.2
5 125	65F 3050	66F 3050	3.25 82.6	-	7.5 3.4
6 150	65F 3060	66F 3060	3.50 88.9	-	9.8 4.5
8 200	65F 3080	66F 3080	4.25 108.0	-	19.5 8.8
10 250	65F 3100	66F 3100	4.75 121.0	-	30.3 13.7
12 300	65F 3120	66F 3120	5.25 133.0	-	42.7 19.4
14 350	65F 3140	66F 3140	5.79 147.0	-	51.8 23.5
16 400	65F 3160	66F 3160	6.61 168.0	-	72.7 33.0

18" through 24" sizes available upon request.

**Fig. 65TT & 66TT**  
22-1/2° Elbow, Standard Radius

- Ductile Iron - Full Flow
- (F) Fabricated Steel - Sch40, Cut Groove

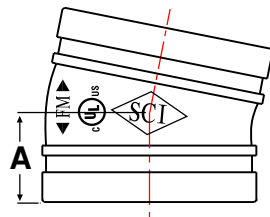


Pipe Size in / mm	Part Number		A in / mm	Case Qty	Weight lb / kg
	Painted	Galvanized			
1-1/4 32	65TT3012	66TT3012	1.75 44.5	85	0.7 0.3
1-1/2 40	65TT3014	66TT3014	1.75 44.5	75	0.8 0.4
2 50	65TT3020	66TT3020	1.88 47.8	30	1.2 0.5
2-1/2 65	65TT3024	66TT3024	2.00 50.8	24	1.5 0.7
3 80	65TT3030	66TT3030	2.25 57.2	14	2.3 1.0
4 100	65TT3040	66TT3040	2.62 66.5	16	3.8 1.7
5 125	65TT3050	66TT3050	2.88 73.2	-	5.9 2.7
6 150	65TT3060	66TT3060	3.12 79.2	-	8.2 3.7
8 200	65TT3080	66TT3080	3.88 98.6	-	16.2 7.3
10 250	65TT3100F	66TT3100F	4.38 111.2	-	30.0 13.6
12 300	65TT3120F	66TT3120F	4.88 123.9	-	40.0 18.1

14" through 24" sizes available upon request.

**Fig. 65EL & 66EL**  
11-1/4° Elbow, Standard Radius

- Ductile Iron - Full Flow
- (F) Fabricated Steel - Sch40, Cut Groove



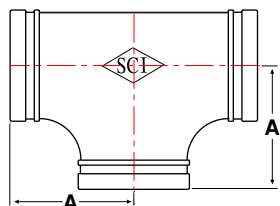
Pipe Size in / mm	Part Number		A in / mm	Case Qty	Weight lb / kg
	Painted	Galvanized			
1-1/4 32	65EL3012	66EL3012	1.37 34.8	115	0.6 0.3
1-1/2 40	65EL3014	66EL3014	1.37 34.8	90	0.7 0.3
2 50	65EL3020	66EL3020	1.37 34.8	60	0.8 0.4
2-1/2 65	65EL3024	66EL3024	1.50 38.1	36	1.2 0.5
3 80	65EL3030	66EL3030	1.50 38.1	18	1.6 0.7
4 100	65EL3040	66EL3040	1.75 44.5	24	2.8 1.3
5 125	65EL3050	66EL3050	2.00 50.8	-	4.3 2.0
6 150	65EL3060	66EL3060	2.00 50.8	-	5.5 2.5
8 200	65EL3080	66EL3080	2.00 50.8	-	8.3 3.8
10 250	65EL3100F	66EL3100F	2.13 54.1	-	20.0 9.1
12 300	65EL3120F	66EL3120F	2.25 57.1	-	30.0 13.6

14" through 24" sizes available upon request.

Please see complete installation instructions at [www.smithcooper.com](http://www.smithcooper.com) for important guidelines and limitations on the use and applications of COOPLOK™ Grooved Couplings and Fittings.

## Fig. 65T & 66T Tee, Standard Radius

- Ductile Iron - Full Flow
- UL/FM – 1-1/4" to 12" only

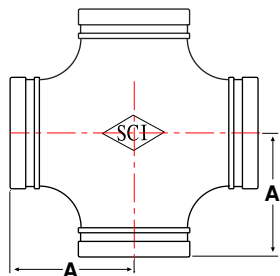


Pipe Size in / mm	Part Number		A in / mm	Case Qty	Weight lb / kg
	Painted	Galvanized			
1-1/4 32	65T 3012	66T 3012	2.75 69.9	35	1.4 0.7
1-1/2 40	65T 3014	66T 3014	2.75 69.9	24	1.7 0.8
2 50	65T 3020	66T 3020	3.25 82.6	15	3.1 1.4
2-1/2 65	65T 3024	66T 3024	3.75 95.3	7	4.1 1.9
3 80	65T 3030	66T 3030	4.25 108.0	10	5.8 2.6
4 100	65T 3040	66T 3040	5.00 127.0	5	10.0 4.5
5 125	65T 3050	66T 3050	5.50 139.7	-	15.0 6.8
6 150	65T 3060	66T 3060	6.50 165.1	-	22.3 10.1
8 200	65T 3080	66T 3080	7.75 196.9	-	41.1 18.6
10 250	65T 3100	66T 3100	9.00 229.0	-	64.8 29.4
12 300	65T 3120	66T 3120	10.00 254.0	-	90.9 41.2
14 350	65T 3140	66T 3140	11.00 279.0	-	116.8 53.0
16 400	65T 3160	66T 3160	12.00 305.0	-	145.0 65.9

18" through 24" sizes available upon request.

## Fig. 65X & 66X Cross, Standard Radius

- Ductile Iron - Full Flow
- UL/FM – 1-1/4" to 8" only

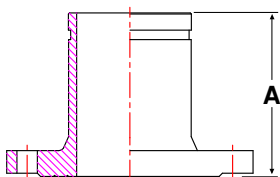


Pipe Size in / mm	Part Number		A in / mm	Case Qty	Weight lb / kg
	Painted	Galvanized			
1-1/4 32	65X 3012	66X 3012	2.75 69.9	20	1.8 0.8
1-1/2 40	65X 3014	66X 3014	2.75 69.9	16	2.0 0.9
2 50	65X 3020	66X 3020	3.25 82.6	20	3.3 1.5
2-1/2 65	65X 3024	66X 3024	3.75 95.3	10	4.9 2.2
3 80	65X 3030	66X 3030	4.25 108.0	7	7.3 3.3
4 100	65X 3040	66X 3040	5.00 127.0	4	10.0 4.5
5 125	65X 3050	66X 3050	5.50 139.7	-	15.3 6.9
6 150	65X 3060	66X 3060	6.50 165.1	-	24.6 11.1
8 200	65X 3080	66X 3080	7.75 196.9	-	41.6 18.9

10" through 24" sizes available upon request.

## Fig. 65FA & 66FA Grooved x Flange Adapter

- Ductile Iron
- UL/FM – 2" to 8" only
- Matches Class 125/150 flange dimensions

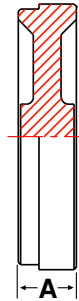


Pipe Size in / mm	Part Number		A in / mm	Case Qty	Weight lb / kg
	Painted	Galvanized			
2 50	65FA3020	66FA3020	4.00 101.6	8	4.0 1.8
2-1/2 65	65FA3024	66FA3024	4.00 101.6	5	5.4 2.5
3 80	65FA3030	66FA3030	4.00 101.6	4	6.4 2.9
4 100	65FA3040	66FA3040	6.00 152.4	-	12.7 5.8
6 150	65FA3060	66FA3060	6.00 152.4	-	19.0 8.6
8 200	65FA3080	66FA3080	6.00 152.4	-	28.8 13.1
10 250	65FA3100F	66FA3100F	8.00 203.2	-	66.0 30.0
12 300	65FA3120F	66FA3120F	10.00 254.0	-	97.0 44.1

5" & 14" through 24" sizes available upon request.

**Fig. 65C & 66C**  
Cap

- Ductile Iron

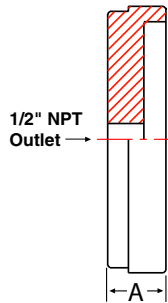


Pipe Size in / mm	Part Number		A in / mm	Case Qty	Weight lb / kg
	Painted	Galvanized			
1-1/4 32	65C 3012	66C 3012	0.88 22.4	200	0.3 0.1
1-1/2 40	65C 3014	66C 3014	0.88 22.4	140	0.4 0.2
2 50	65C 3020	66C 3020	0.88 22.4	80	0.6 0.3
2-1/2 65	65C 3024	66C 3024	0.88 22.4	60	1.0 0.5
3 80	65C 3030	66C 3030	0.88 22.4	40	1.5 0.7
4 100	65C 3040	66C 3040	1.00 25.4	24	2.6 1.2
5 125	65C 3050	66C 3050	1.00 25.4	12	4.0 1.8
6 150	65C 3060	66C 3060	1.00 25.4	10	5.4 2.5
8 200	65C 3080	66C 3080	1.19 30.2	5	11.5 5.2
10 250	65C 3100	66C 3100	1.26 32.0	-	17.7 8.0
12 300	65C 3120	66C 3120	1.26 32.0	-	23.6 10.7

14" through 24" sizes available upon request.

**Fig. 65CT**  
Grooved Cap with Center Tap

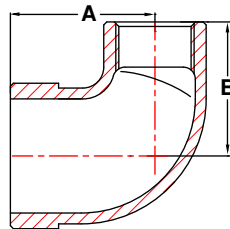
- Ductile Iron
- 1/2" NPT outlet



Pipe Size in / mm	Part Number		A in / mm	Case Qty	Weight lb / kg
	Painted				
2 50	65CT3020004		0.88 22.4	80	0.6 0.3
3 80	65CT3030004		0.88 22.4	40	1.5 0.7
4 100	65CT3040004		1.00 25.4	24	2.6 1.2
6 150	65CT3060004		1.00 25.4	10	5.4 2.5
8 200	65CT3080004		1.19 30.2	5	11.5 5.2

**Fig. 65AE & 66AE**  
Adapter Elbow, Grooved x Threaded

- Ductile Iron - Full Flow
- Threads meet ASME B1.20.1



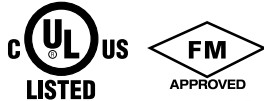
Pipe Size in / mm	Part Number		A in / mm	B in / mm	Case Qty	Weight lb / kg
	Painted	Galvanized				
1-1/4 x 1/2 32 x 15	65AE3012004	66AE3012004	1.88 48.0	1.75 44.4	90	0.6 0.3
1-1/4 x 3/4 32 x 20	65AE3012006	66AE3012006	1.88 48.0	1.75 44.5	90	0.6 0.3
1-1/4 x 1 32 x 25	65AE3012010	66AE3012010	2.02 51.3	2.00 50.8	75	0.8 0.3
1-1/2 x 1/2 40 x 15	65AE3014004	66AE3014004	1.88 48.0	1.75 44.4	69	0.6 0.3
1-1/2 x 3/4 40 x 20	65AE3014006	66AE3014006	1.88 48.0	1.75 44.4	69	0.7 0.3
1-1/2 x 1 40 x 25	65AE3014010	66AE3014010	2.02 51.3	2.00 50.8	60	0.8 0.4
2 x 1/2 50 x 15	65AE3020004	66AE3020004	1.88 48.0	1.75 44.4	45	0.8 0.4
2 x 3/4 50 x 20	65AE3020006	66AE3020006	1.88 48.0	1.75 44.4	45	0.9 0.4
2 x 1 50 x 25	65AE3020010	66AE3020010	2.02 51.3	2.00 50.8	45	1.0 0.5
2-1/2 x 1/2 65 x 15	65AE3024004	66AE3024004	1.88 48.0	1.97 50.0	36	1.0 0.5
2-1/2 x 3/4 65 x 20	65AE3024006	66AE3024006	1.88 48.0	1.97 50.0	36	1.1 0.5
2-1/2 x 1 65 x 25	65AE3024010	66AE3024010	2.02 51.3	2.00 50.8	36	1.2 0.5

Please see complete installation instructions at [www.smithcooper.com](http://www.smithcooper.com) for important guidelines and limitations on the use and applications of COOPLOK™ Grooved Couplings and Fittings.



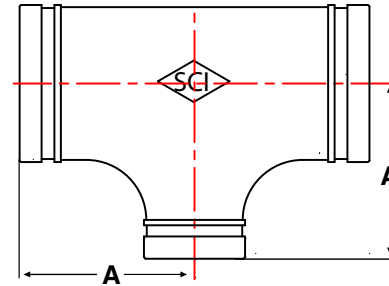


# Grooved Fittings



**Fig. 65RT & 66RT**  
**Reducing Tee**

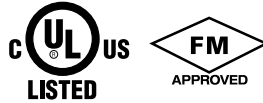
- Ductile Iron sizes – Full Flow
- UL/FM – 1-1/2" to 8"
- (F) Fabricated steel fittings – Schedule 40, cut grooved



Pipe Size in / mm	Part Number		A in / mm	Weight lb / kg
	Painted	Galvanized		
1-1/2 x 1-1/4 40 x 32	65RT3014012F	66RT3014012F	2.75 70.0	1.7 0.8
2 x 1-1/4 50 x 32	65RT3020012F	66RT3020012F	3.25 82.6	2.5 1.2
2 x 1-1/2 50 x 40	65RT3020014	66RT3020014	3.25 82.6	2.6 1.2
2-1/2 x 1-1/4 65 x 32	65RT3024012F	66RT3024012F	3.75 95.3	4.1 1.9
2-1/2 x 1-1/2 65 x 40	65RT3024014F	66RT3024014F	3.75 95.3	4.5 2.0
2-1/2 x 2 65 x 50	65RT3024020	66RT3024020	3.75 95.3	3.5 1.8
3 x 1-1/4 80 x 32	65RT3030012F	66RT3030012F	4.25 108.0	6.2 2.8
3 x 1-1/2 80 x 40	65RT3030014	66RT3030014	4.25 108.0	6.1 2.8
3 x 2 80 x 50	65RT3030020	66RT3030020	4.25 108.0	6.4 2.9
3 x 2-1/2 80 x 65	65RT3030024	66RT3030024	4.25 108.0	5.2 2.3
4 x 1-1/4 100 x 32	65RT3040012F	66RT3040012F	5.00 127.0	9.7 4.4
4 x 1-1/2 100 x 40	65RT3040014F	66RT3040014F	5.00 127.0	10.4 4.7
4 x 2 100 x 50	65RT3040020	66RT3040020	5.00 127.0	8.3 3.8
4 x 2-1/2 100 x 65	65RT3040024	66RT3040024	5.00 127.0	7.9 3.6
4 x 3 100 x 80	65RT3040030	66RT3040030	5.00 127.0	8.1 3.7
5 x 1-1/4 125 x 32	65RT3050012F	66RT3050012F	5.50 139.7	14.5 6.6
5 x 1-1/2 125 x 40	65RT3050014F	66RT3050014F	5.50 139.7	14.7 6.7
5 x 2 125 x 50	65RT3050020F	66RT3050020F	5.50 139.7	14.6 6.6
5 x 2-1/2 125 x 65	65RT3050024F	66RT3050024F	5.50 139.7	14.1 5.9
5 x 3 125 x 80	65RT3050030F	66RT3050030F	5.50 139.7	14.7 6.2
5 x 4 125 x 100	65RT3050040F	66RT3050040F	5.50 139.7	14.7 6.7
6 x 1-1/4 150 x 32	65RT3060012F	66RT3060012F	6.50 165.1	21.1 9.6
6 x 1-1/2 150 x 40	65RT3060014F	66RT3060014F	6.50 165.1	21.2 9.6
6 x 2 150 x 50	65RT3060020	66RT3060020	6.50 165.1	21.5 9.8
6 x 2-1/2 150 x 65	65RT3060024	66RT3060024	6.50 165.1	19.0 8.6
6 x 3 150 x 80	65RT3060030	66RT3060030	6.50 165.1	18.5 8.4
6 x 4 150 x 100	65RT3060040	66RT3060040	6.50 165.1	18.7 8.5

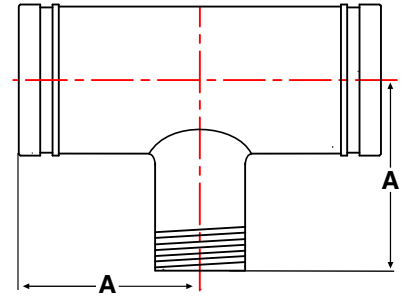
Pipe Size in / mm	Part Number		A in / mm	Weight lb / kg
	Painted	Galvanized		
6 x 5 150 x 125	65RT3060050F	66RT3060050F	6.50 165.1	26.4 12.0
8 x 2 200 x 50	65RT3080020F	66RT3080020F	7.75 196.9	38.1 17.3
8 x 2-1/2 200 x 65	65RT3080024F	66RT3080024F	7.75 196.9	38.8 17.6
8 x 3 200 x 80	65RT3080030	66RT3080030	7.75 196.9	34.7 17.9
8 x 4 200 x 100	65RT3080040	66RT3080040	7.75 196.9	34.5 15.7
8 x 5 200 x 125	65RT3080050	66RT3080050	7.75 196.9	40.5 18.3
8 x 6 200 x 150	65RT3080060	66RT3080060	7.75 196.9	36.4 16.5
10 x 2 250 x 50	65RT3100020F	66RT3100020F	9.00 228.6	63.5 28.8
10 x 2-1/2 250 x 65	65RT3100024F	66RT3100024F	9.00 228.6	65.1 29.5
10 x 3 250 x 80	65RT3100030F	66RT3100030F	9.00 228.6	66.4 30.1
10 x 4 250 x 100	65RT3100040F	66RT3100040F	9.00 228.6	68.8 24.3
10 x 5 250 x 150	65RT3100050F	66RT3100050F	9.00 228.6	71.7 32.5
10 x 6 250 x 150	65RT3100060	66RT3100060	9.00 228.6	69.5 31.5
10 x 8 250 x 200	65RT3100080	66RT3100080	9.00 228.6	78.2 35.4
12 x 2 300 x 50	65RT3120020F	66RT3120020F	10.00 254.0	84.2 38.2
12 x 2-1/2 300 x 65	65RT3120024F	66RT3120024F	10.00 254.0	85.2 38.7
12 x 3 300 x 80	65RT3120030F	66RT3120030F	10.00 254.0	86.1 39.1
12 x 4 300 x 100	65RT3120040F	66RT3120040F	10.00 254.0	87.7 39.8
12 x 5 300 x 125	65RT3120050F	66RT3120050F	10.00 254.0	89.6 40.7
12 x 6 300 x 150	65RT3120060F	66RT3120060F	10.00 254.0	98.1 44.5
12 x 8 300 x 200	65RT3120080F	66RT3120080F	10.00 254.0	106.1 48.1
12 x 10 300 x 250	65RT3120100F	66RT3120100F	10.00 254.0	116.0 52.6
14 x 4 350 x 100	65RT3140040F	66RT3140040F	11.00 279.4	109.8 49.8
14 x 6 350 x 150	65RT3140060F	66RT3140060F	11.00 279.4	117.4 53.2
14 x 8 350 x 200	65RT3140080F	66RT3140080F	11.00 279.4	126.2 57.3
14 x 10 350 x 250	65RT3140100F	66RT3140100F	11.00 279.4	137.2 62.2
14 x 12 350 x 300	65RT3140120F	66RT3140120F	11.00 279.4	145.6 66.0

\*Other sizes and configurations available by special order.



**Fig. 65RTT & 66RTT**  
**Reducing Tee - Grooved x Male NPT**

- (F) Fabricated steel fittings – all sizes Schedule 40, cut grooved
- UL/FM – 2" to 8"
- Male NPT threads conform to ASME B1.20.1



Pipe Size in / mm	Part Number		A in / mm	Weight lb / kg
	Painted	Galvanized		
2 x 1 50 x 25	65RTT3020010F	66RTT3020010F	3.25 82.6	2.3 1.0
2 x 1-1/4 50 x 32	65RTT3020012F	66RTT3020012F	3.25 82.6	2.5 1.1
2 x 1-1/2 50 x 40	65RTT3020014F	66RTT3020014F	3.25 82.6	2.5 1.1
2-1/2 x 1 65 x 25	65RTT3024010F	66RTT3024010F	3.75 95.3	4.0 1.8
2-1/2 x 1-1/4 65 x 32	65RTT3024012F	66RTT3024012F	3.75 95.3	4.4 1.9
2-1/2 x 1-1/2 65 x 40	65RTT3024014F	66RTT3024014F	3.75 95.3	4.5 2.0
2-1/2 x 2 65 x 50	65RTT3024020F	66RTT3024020F	3.75 95.3	4.5 2.0
3 x 1 80 x 25	65RTT3030010F	66RTT3030010F	4.25 108.0	6.0 2.7
3 x 1-1/4 80 x 32	65RTT3030012F	66RTT3030012F	4.25 108.0	6.2 2.8
3 x 1-1/2 80 x 40	65RTT3030014F	66RTT3030014F	4.25 108.0	6.3 2.8
3 x 2 80 x 50	65RTT3030020F	66RTT3030020F	4.25 108.0	6.8 3.1
3 x 2-1/2 80 x 65	65RTT3030024F	66RTT3030024F	4.25 108.0	7.1 3.2
4 x 1 100 x 25	65RTT3040010F	66RTT3040010F	5.00 127.0	9.7 4.3
4 x 1-1/4 100 x 32	65RTT3040012F	66RTT3040012F	5.00 127.0	9.7 4.4
4 x 1-1/2 100 x 40	65RTT3040014F	66RTT3040014F	5.00 127.0	10.1 4.5
4 x 2 100 x 50	65RTT3040020F	66RTT3040020F	5.00 127.0	10.8 4.9
4 x 2-1/2 100 x 65	65RTT3040024F	66RTT3040024F	5.00 127.0	10.9 4.9
4 x 3 100 x 80	65RTT3040030F	66RTT3040030F	5.00 127.0	11.5 5.2
5 x 2 125 x 50	65RTT3050020F	66RTT3050020F	5.50 139.7	14.4 6.5
5 x 2-1/2 125 x 65	65RTT3050024F	66RTT3050024F	5.50 139.7	15.1 6.8
5 x 3 125 x 80	65RTT3050030F	66RTT3050030F	5.50 139.7	16.9 7.7
5 x 4 125 x 100	65RTT3050040F	66RTT3050040F	5.50 139.7	17.9 8.1
6 x 2 150 x 50	65RTT3060020F	66RTT3060020F	6.50 165.1	21.8 9.9
6 x 2-1/2 150 x 65	65RTT3060024F	66RTT3060024F	6.50 165.1	22.0 20.7

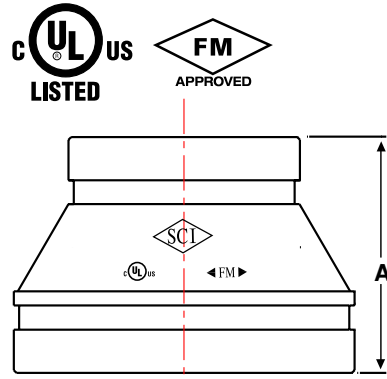
Pipe Size in / mm	Part Number		A in / mm	Weight lb / kg
	Painted	Galvanized		
6 x 3 150 x 80	65RTT3060030F	66RTT3060030F	6.50 165.1	22.0 10.0
6 x 4 150 x 100	65RTT3060040F	66RTT3060040F	6.50 165.1	24.7 11.2
6 x 5 150 x 125	65RTT3060050F	66RTT3060050F	6.50 165.1	27.8 12.6
8 x 2 200 x 50	65RTT3080020F	66RTT3080020F	7.75 196.9	37.4 17.0
8 x 2-1/2 200 x 65	65RTT3080024F	66RTT3080024F	7.75 196.9	38.0 17.2
8 x 3 200 x 80	65RTT3080030F	66RTT3080030F	7.75 196.9	38.6 17.5
8 x 4 200 x 100	65RTT3080040F	66RTT3080040F	7.75 196.9	40.5 18.3
8 x 5 200 x 125	65RTT3080050F	66RTT3080050F	7.75 196.9	42.0 19.0
8 x 6 200 x 150	65RTT3080060F	66RTT3080060F	7.75 196.9	51.0 23.1
10 x 2 250 x 50	65RTT3100020F	66RTT3100020F	9.00 228.6	61.8 28.0
10 x 3 250 x 80	65RTT3100030F	66RTT3100030F	9.00 228.6	63.3 28.7
10 x 4 250 x 100	65RTT3100040F	66RTT3100040F	9.00 228.6	64.0 29.0
10 x 5 250 x 125	65RTT3100050F	66RTT3100050F	9.00 228.6	65.1 29.5
10 x 6 250 x 150	65RTT3100060F	66RTT3100060F	9.00 228.6	64.8 29.9
10 x 8 250 x 200	65RTT3100080F	66RTT3100080F	9.00 228.6	64.5 29.3
12 x 3 300 x 80	65RTT3120030F	66RTT3120030F	10.00 254.0	84.5 38.4
12 x 4 300 x 100	65RTT3120040F	66RTT3120040F	10.00 254.0	85.7 38.9
12 x 5 300 x 125	65RTT3120050F	66RTT3120050F	10.00 254.0	87.0 39.5
12 x 6 300 x 150	65RTT3120060F	66RTT3120060F	10.00 254.0	88.2 40.0
12 x 8 300 x 200	65RTT3120080F	66RTT3120080F	10.00 254.0	91.0 41.3
12 x 10 300 x 250	65RTT3120100F	66RTT3120100F	10.00 254.0	94.7 43.0
14 x 8 350 x 200	65RTT3140080F	66RTT3140080F	11.00 279.4	110.0 50.0
14 x 10 350 x 250	65RTT3140100F	66RTT3140100F	11.00 279.4	114.0 51.8
14 x 12 350 x 300	65RTT3140120F	66RTT3140120F	11.00 279.4	117.0 53.1

\*Other sizes and configurations available by special order.

*Please see complete installation instructions at [www.smithcooper.com](http://www.smithcooper.com) for important guidelines and limitations on the use and applications of COOPLOK™ Grooved Couplings and Fittings.*

## Fig. 65CR & 66CR Concentric Reducer

- Ductile Iron sizes – Full Flow
- UL/FM – 2" to 8"
- (F) Fabricated steel fittings – Schedule 40, cut grooved



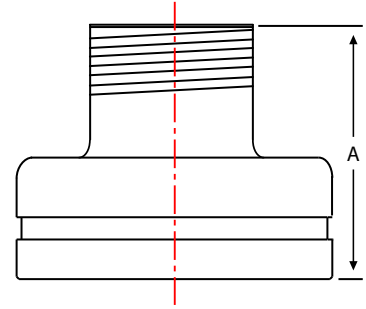
Pipe Size in / mm	Part Number		A in / mm	Weight lb / kg
	Painted	Galvanized		
2 x 1 50 x 25	65CR3020010F	66CR3020010F	2.50 64.0	0.8 0.4
2 x 1-1/4 50 x 32	65CR3020012	66CR3020012	2.50 64.0	0.7 0.3
2 x 1-1/2 50 x 40	65CR3020014	66CR3020014	2.50 64.0	0.8 0.4
2-1/2 x 1 65 x 25	65CR3024010F	66CR3024010F	2.50 64.0	1.0 0.5
2-1/2 x 1-1/4 65 x 32	65CR3024012	66CR3024012	2.50 64.0	1.1 0.50
2-1/2 x 1-1/2 65 x 40	65CR3024014	66CR3024014	2.50 64.0	1.0 0.5
2-1/2 x 2 65 x 50	65CR3024020	66CR3024020	2.50 64.0	1.1 0.5
3 x 1 80 x 25	65CR3030010F	66CR3030010F	2.50 64.0	1.3 0.6
3 x 1-1/4 80 x 32	65CR3030012	66CR3030012	2.50 64.0	1.4 0.6
3 x 1-1/2 80 x 40	65CR3030014	66CR3030014	2.50 64.0	1.3 0.6
3 x 2 80 x 50	65CR3030020	66CR3030020	2.50 64.0	1.3 0.6
3 x 2-1/2 80 x 65	65CR3030024	66CR3030024	2.50 64.0	1.4 0.6
3-1/2 x 3 90 x 80	65CR3034030F	66CR3034030F	2.50 64.0	2.8 1.3
4 x 1 100 x 25	65CR3040010F	66CR3040010F	3.00 76.2	2.1 1.0
4 x 1-1/4 100 x 32	65CR3040012F	66CR3040012F	3.00 76.2	1.7 0.8
4 x 1-1/2 100 x 40	65CR3040014	66CR3040014	3.00 76.2	2.3 1.0
4 x 2 100 x 50	65CR3040020	66CR3040020	3.00 76.2	2.3 1.0
4 x 2-1/2 100 x 65	65CR3040024	66CR3040024	3.00 76.2	2.5 1.0
4 x 3 100 x 80	65CR3040030	66CR3040030	3.00 76.2	2.4 1.0
4 x 3-1/2 100 x 90	65CR3040034F	66CR3040034F	3.00 76.2	2.8 1.3
5 x 2 125 x 50	65CR3050020F	66CR3050020F	4.00 102.1	2.7 1.2
5 x 2-1/2 125 x 65	65CR3050024F	66CR3050024F	4.00 102.1	3.1 1.4
5 x 3 125 x 80	65CR3050030	66CR3050030	3.50 89.0	3.3 1.5

Pipe Size in / mm	Part Number		A in / mm	Weight lb / kg
	Painted	Galvanized		
5 x 4 125 x 100	65CR3050040	66CR3050040	3.50 89.0	3.7 1.7
6 x 1 150 x 25	65CR3060010F	66CR3060010F	4.00 102.1	4.1 1.9
6 x 1-1/2 150 x 40	65CR3060014F	66CR3060014F	4.00 102.1	4.3 2.0
6 x 2 150 x 50	65CR3060020	66CR3060020	4.00 102.1	5.5 2.5
6 x 2-1/2 150 x 65	65CR3060024	66CR3060024	4.00 102.1	5.7 2.6
6 x 3 150 x 80	65CR3060030	66CR3060030	4.00 102.1	5.3 2.4
6 x 4 150 x 100	65CR3060040	66CR3060040	4.00 102.1	5.4 2.5
6 x 5 150 x 125	65CR3060050	66CR3060050	4.00 102.1	5.7 2.6
8 x 3 200 x 80	65CR3080030	66CR3080030	5.00 127.0	10.5 4.8
8 x 4 200 x 100	65CR3080040	66CR3080040	5.00 127.0	10.2 4.6
8 x 5 200 x 125	65CR3080050	66CR3080050	5.00 127.0	10.9 5.0
8 x 6 200 x 150	65CR3080060	66CR3080060	5.00 127.0	10.6 4.8
10 x 4 250 x 100	65CR3100040	66CR3100040	6.00 152.0	22.0 10.0
10 x 5 250 x 125	65CR3100050F	66CR3100050F	6.00 152.0	21.7 9.9
10 x 6 250 x 100	65CR3100060	66CR3100060	6.00 152.0	21.3 9.7
10 x 8 250 x 200	65CR3100080	66CR3100080	6.00 152.0	20.7 9.4
12 x 6 300 x 150	65CR3120060F	66CR3120060F	7.00 178.0	26.5 12.0
12 x 8 300 x 200	65CR3120080F	66CR3120080F	7.00 178.0	30.7 14.0
12 x 10 300 x 250	65CR3120100F	66CR3120100F	7.00 178.0	32.2 14.6
14 x 6 350 x 150	65CR3140060F	66CR3140060F	13.00 330.2	94.5 43.0
14 x 8 350 x 200	65CR3140080F	66CR3140080F	13.00 330.2	100.0 45.5
14 x 10 350 x 250	65CR3140100F	66CR3140100F	13.00 330.2	107.0 48.6
14 x 12 350 x 300	65CR3140120F	66CR3140120F	13.00 330.2	113.0 51.7

(F) Fabricated fitting "A" dimension may differ from other manufacturers' products.  
Other sizes and configurations available by special order.

**Fig. 65CRT & 66CRT**  
**Concentric Reducer Male NPT**

- (F) Fabricated steel fittings – Schedule 40, cut grooved
- UL/FM – 1-1/2" to 8"
- Male NPT threads conform to ASME B1.20.1



Pipe Size in / mm	Part Number		A in / mm	Weight lb / kg
	Painted	Galvanized		
1-1/2 x 1 65 x 25	65CRT3024010F	66CRT3024010F	3.75 95.3	0.6 0.3
2 x 1 50 x 25	65CRT3020010F	66CRT3020010F	3.75 95.3	1.5 0.7
2 x 1-1/4 50 x 32	65CRT3020012F	66CRT3020012F	3.75 95.3	1.5 0.7
2 x 1-1/2 50 x 40	65CRT3020014F	66CRT3020014F	3.75 95.3	1.5 0.7
2-1/2 x 1 65 x 25	65CRT3024010F	66CRT3024010F	3.75 95.3	1.6 0.7
2-1/2 x 1-1/4 65 x 32	65CRT3024012F	66CRT3024012F	3.75 95.3	1.6 0.7
2-1/2 x 1-1/2 65 x 40	65CRT3024014F	66CRT3024014F	3.75 95.3	1.5 0.7
2-1/2 x 2 65 x 50	65CRT3024020F	66CRT3024020F	3.75 95.3	1.7 0.8
3 x 1 80 x 25	65CRT3030010F	66CRT3030010F	3.75 95.3	2.6 1.1
3 x 1-1/4 80 x 32	65CRT3030012F	66CRT3030012F	3.75 95.3	2.7 1.2
3 x 1-1/2 80 x 40	65CRT3030014F	66CRT3030014F	3.75 95.3	2.8 1.2
3 x 2 80 x 50	65CRT3030020F	66CRT3030020F	3.75 95.3	2.7 1.2
3 x 2-1/2 80 x 65	65CRT3030024F	66CRT3030024F	3.75 95.3	2.5 1.1
4 x 1 100 x 25	65CRT3040010F	66CRT3040010F	4.00 102.1	3.6 1.6
4 x 1-1/4 100 x 32	65CRT3040012F	66CRT3040012F	4.00 102.1	3.7 1.7
4 x 1-1/2 100 x 40	65CRT3040014F	66CRT3040014F	4.00 102.1	3.8 1.7
4 x 2 100 x 50	65CRT3040020F	66CRT3040020F	4.00 102.1	3.5 1.6
4 x 2-1/2 100 x 65	65CRT3040024F	66CRT3040024F	4.00 102.1	3.8 1.7
4 x 3 100 x 80	65CRT3040030F	66CRT3040030F	4.00 102.1	4.2 1.9

Pipe Size in / mm	Part Number		A in / mm	Weight lb / kg
	Painted	Galvanized		
5 x 4 125 x 100	65CRT3050040F	66CRT3050040F	4.25 108.0	6.4 2.9
6 x 1 150 x 25	65CRT3060010F	66CRT3060010F	4.25 108.0	7.9 3.6
6 x 1-1/4 150 x 32	65CRT3060012F	66CRT3060012F	4.25 108.0	7.9 3.6
6 x 1-1/2 150 x 40	65CRT3060014F	66CRT3060014F	4.50 112.0	8.1 3.7
6 x 2 150 x 50	65CRT3060020F	66CRT3060020F	4.50 112.0	8.7 4.0
6 x 3 150 x 80	65CRT3060030F	66CRT3060030F	4.50 112.0	9.9 4.5
6 x 4 150 x 100	65CRT3060040F	66CRT3060040F	4.50 112.0	9.9 4.5
6 x 5 150 x 125	65CRT3060050F	66CRT3060050F	4.50 112.0	9.9 4.5
8 x 3 200 x 80	65CRT3080030F	66CRT3080030F	5.00 127.0	14.9 6.7
8 x 4 200 x 100	65CRT3080040F	66CRT3080040F	5.00 127.0	14.8 6.7
8 x 5 200 x 125	65CRT3080050F	66CRT3080050F	5.00 127.0	15.6 7.0
8 x 6 200 x 150	65CRT3080060F	66CRT3080060F	5.00 127.0	18.9 8.5
10 x 4 250 x 100	65CRT3100040F	66CRT3100040F	6.00 152.0	31.9 14.4
10 x 5 250 x 125	65CRT3100050F	66CRT3100050F	6.00 152.0	31.0 12.74
10 x 6 250 x 150	65CRT3100060F	66CRT3100060F	6.00 152.0	31.9 14.4
10 x 8 250 x 200	65CRT3100080F	66CRT3100080F	6.00 152.0	34.3 15.6
12 x 4 300 x 100	65CRT3120040F	66CRT3120040F	7.00 178.0	33.8 15.4
12 x 6 300 x 150	65CRT3120060F	66CRT3120060F	7.00 178.0	38.3 17.4
12 x 8 300 x 200	65CRT3120080F	66CRT3120080F	7.00 178.0	41.3 18.7

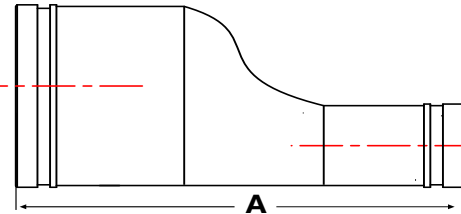
(F) Fabricated fitting "A" dimension may differ from other manufacturers' products.  
 Other sizes and configurations available by special order.

**Please see complete installation instructions at [www.smithcooper.com](http://www.smithcooper.com) for important guidelines and limitations on the use and applications of COOPLOK™ Grooved Couplings and Fittings.**



**Fig. 65ER & 66ER**  
**Eccentric Reducer**

- (F) Fabricated steel fittings – Full Flow Schedule 40, cut grooved
- UL/FM – 2" to 8"



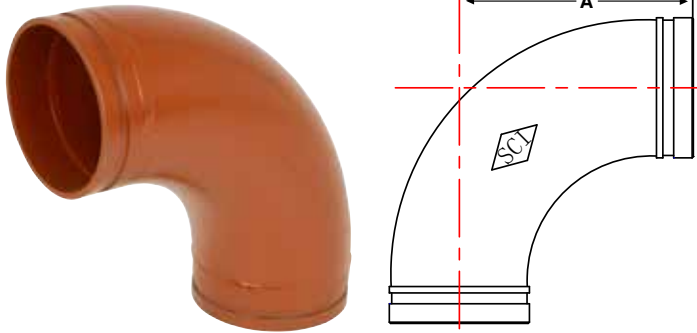
Pipe Size in / mm	Part Number		A in / mm	Weight lb / kg
	Painted	Galvanized		
2 x 1 50 x 25	65ER3020010F	66ER3020010F	9.00 228.6	0.8 0.4
2 x 1-1/4 50 x 32	65ER3020012F	66ER3020012F	9.00 228.6	0.9 0.4
2 x 1-1/2 50 x 40	65ER3020014F	66ER3020014F	9.00 228.6	1.0 0.5
2-1/2 x 1 65 x 25	65ER3024010F	66ER3024010F	9.50 241.3	1.0 0.5
2-1/2 x 1-1/4 65 x 32	65ER3024012F	66ER3024012F	9.50 241.3	1.3 0.6
2-1/2 x 1-1/2 65 x 40	65ER3024014F	66ER3024014F	9.50 241.3	0.9 0.4
2-1/2 x 2 65 x 50	65ER3024020F	66ER3024020F	9.50 241.3	1.1 0.5
3 x 1 80 x 25	65ER3030010F	66ER3030010F	9.50 241.3	1.6 0.7
3 x 1-1/4 80 x 32	65ER3030012F	66ER3030012F	9.50 241.3	1.7 0.8
3 x 1-1/2 80 x 40	65ER3030014F	66ER3030014F	9.50 241.3	1.2 0.5
3 x 2 80 x 50	65ER3030020F	66ER3030020F	9.50 241.3	1.5 0.7
3 x 2-1/2 80 x 65	65ER3030024F	66ER3030024F	9.50 241.3	1.5 0.7
3-1/2 x 3 90 x 80	65ER3034030F	66ER3034030F	9.50 241.3	2.8 1.3
4 x 1 100 x 25	65ER3040010F	66ER3040010F	10.00 254.0	2.1 1.0
4 x 1-1/4 100 x 32	65ER3040012F	66ER3040012F	10.00 254.0	1.7 0.8
4 x 1-1/2 100 x 40	65ER3040014F	66ER3040014F	10.00 254.0	1.8 0.8
4 x 2 100 x 50	65ER3040020F	66ER3040020F	10.00 254.0	2.0 0.9
4 x 2-1/2 100 x 65	65ER3040024F	66ER3040024F	10.00 254.0	2.3 1.0
4 x 3 100 x 80	65ER3040030F	66ER3040030F	10.00 254.0	2.5 1.1
4 x 3-1/2 100 x 90	65ER3040034F	66ER3040034F	10.00 254.0	2.8 1.3
5 x 2 125 x 50	65ER3050020F	66ER3050020F	11.00 279.4	2.7 1.2
5 x 2-1/2 125 x 65	65ER3050024F	66ER3050024F	11.00 279.4	3.1 1.4
5 x 3 125 x 80	65ER3050030F	66ER3050030F	11.00 279.4	3.3 1.5

Pipe Size in / mm	Part Number		A in / mm	Weight lb / kg
	Painted	Galvanized		
5 x 4 125 x 100	65ER3050040F	66ER3050040F	11.00 279.4	3.8 1.7
6 x 1 150 x 25	65ER3060010F	66ER3060010F	11.50 292.1	4.1 1.9
6 x 1-1/2 150 x 40	65ER3060014F	66ER3060014F	11.50 292.1	4.3 2.0
6 x 2 150 x 50	65ER3060020F	66ER3060020F	11.50 292.1	3.8 1.7
6 x 2-1/2 150 x 65	65ER3060024F	66ER3060024F	11.50 292.1	5.7 2.6
6 x 3 150 x 80	65ER3060030F	66ER3060030F	11.50 292.1	4.0 1.8
6 x 4 150 x 100	65ER3060040F	66ER3060040F	11.50 292.1	7.1 3.2
6 x 5 150 x 125	65ER3060050F	66ER3060050F	11.50 292.1	8.2 3.7
8 x 3 200 x 80	65ER3080030F	66ER3080030F	12.00 304.8	8.4 3.8
8 x 4 200 x 100	65ER3080040F	66ER3080040F	12.00 304.8	8.3 3.8
8 x 5 200 x 125	65ER3080050F	66ER3080050F	12.00 304.8	9.1 4.1
8 x 6 200 x 150	65ER3080060F	66ER3080060F	12.00 304.8	10.0 4.5
10 x 4 250 x 100	65ER3100040F	66ER3100040F	13.00 330.2	14.9 6.8
10 x 5 250 x 125	65ER3100050F	66ER3100050F	13.00 330.2	11.0 5.0
10 x 6 250 x 150	65ER3100060F	66ER3100060F	13.00 330.2	14.9 6.8
10 x 8 250 x 200	65ER3100080F	66ER3100080F	13.00 330.2	17.3 7.8
12 x 6 300 x 150	65ER3120060F	66ER3120060F	14.00 355.6	16.3 7.4
12 x 8 300 x 200	65ER3120080F	66ER3120080F	14.00 355.6	19.3 8.8
12 x 10 300 x 250	65ER3120100F	66ER3120100F	14.00 355.6	23.0 10.4
14 x 6 350 x 150	65ER3140060F	66ER3140060F	13.00 330.2	96.0 43.5
14 x 8 350 x 200	65ER3140080F	66ER3140080F	13.00 330.2	76.6 34.7
14 x 10 350 x 250	65ER3140100F	66ER3140100F	13.00 330.2	77.6 35.2
14 x 12 350 x 300	65ER3140120F	66ER3140120F	13.00 330.2	89.2 40.5

(F) Fabricated fitting "A" dimension may differ from other manufacturers' products.  
Other sizes and configurations available by special order.

**Fig. 65ELR & 66ELR**  
**90° Long Radius Elbow – 1-1/2 D**

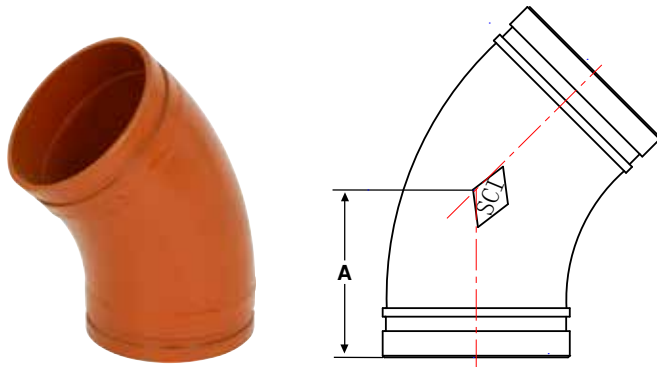
- (F) Fabricated steel fittings – Full Flow (all sizes)  
 Schedule 40, cut grooved



Pipe Size in / mm	Part Number		A in / mm	Weight lb / kg
	Painted	Galvanized		
1 25	65ELR3010F	66ELR3010F	3.00 76.0	1.2 0.5
1-1/4 32	65ELR3012F	66ELR3012F	3.88 99.0	1.4 0.6
1-1/2 40	65ELR3014F	66ELR3014F	4.25 108.0	1.8 0.8
2 50	65ELR3020F	66ELR3020F	4.38 111.0	2.6 1.2
2-1/2 65	65ELR3024F	66ELR3024F	5.75 146.0	5.1 2.3
3 80	65ELR3030F	66ELR3030F	5.88 149.0	6.6 3.0
4 100	65ELR3040F	66ELR3040F	7.50 191.0	11.6 5.3
5 125	65ELR3050F	66ELR3050F	9.50 241.0	20.0 9.1
6 150	65ELR3060F	66ELR3060F	10.75 273.0	29.5 13.4
8 200	65ELR3080F	66ELR3080F	15.00 381.0	62.1 28.2
10 250	65ELR3100F	66ELR3100F	18.00 457.0	103.7 47.1
12 300	65ELR3120F	66ELR3120F	21.00 533.0	147.8 67.2
14 350	65ELR3140F	66ELR3140F	21.00 533.0	159.0 72.3
16 400	65ELR3160F	66ELR3160F	24.00 610.0	211.0 95.9
18 450	65ELR3180F	66ELR3180F	27.00 686.0	269.0 122.3
20 500	65ELR3200F	66ELR3200F	32.00 813.0	332.0 150.9
24 600	65ELR3240F	66ELR3240F	36.00 914.0	470.0 213.6

**Fig. 65FLR & 66FLR**  
**45° Long Radius Elbow – 1-1/2 D**

- (F) Fabricated steel fittings – Full Flow (all sizes)  
 Schedule 40, cut grooved

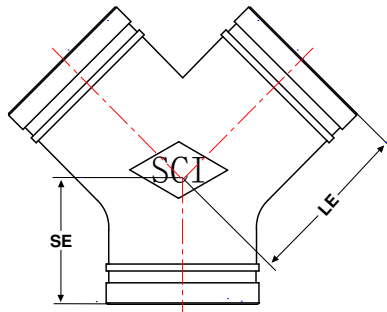


3D, 5D & 6D Long Radius Fittings available on request.

Pipe Size in / mm	Part Number		A in / mm	Weight lb / kg
	Painted	Galvanized		
1 25	65FLR3010F	66FLR3010F	2.50 64.0	0.9 0.4
1-1/4 32	65FLR3012F	66FLR3012F	2.50 64.0	1.1 0.5
1-1/2 40	65FLR3014F	66FLR3014F	2.50 64.0	1.3 0.6
2 50	65FLR3020F	66FLR3020F	2.75 70.0	2.2 1.0
2-1/2 65	65FLR3024F	66FLR3024F	3.00 76.0	3.4 1.5
3 80	65FLR3030F	66FLR3030F	3.38 86.0	5.2 2.4
4 100	65FLR3040F	66FLR3040F	4.00 102.0	10.0 4.5
5 125	65FLR3050F	66FLR3050F	5.00 127.0	13.2 6.0
6 150	65FLR3060F	66FLR3060F	5.50 140.0	18.1 8.2
8 200	65FLR3080F	66FLR3080F	7.25 184.0	35.0 15.9
10 250	65FLR3100F	66FLR3100F	8.50 216.0	59.0 26.8
12 300	65FLR3120F	66FLR3120F	10.00 254.0	102.0 46.4
14 350	65FLR3140F	66FLR3140F	8.75 222.0	122.0 55.5
16 400	65FLR3160F	66FLR3160F	10.00 254.0	134.0 60.9
18 450	65FLR3180F	66FLR3180F	11.25 286.0	133.0 60.5
20 500	65FLR3200F	66FLR3200F	12.50 318.0	165.0 75.0
24 600	65FLR3240F	66FLR3240F	15.00 381.0	237.0 107.7

**Fig. 65Y & 66Y**  
True Wye

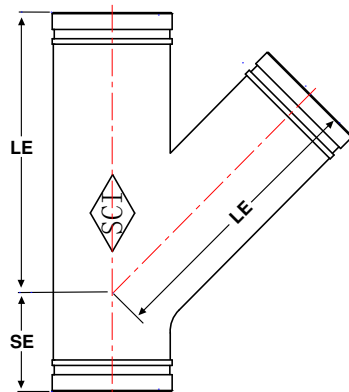
- (F) Fabricated steel fittings – all sizes  
Schedule 40, cut grooved



Pipe Size in / mm	Part Number		LE in / mm	SE in / mm	Weight lb / kg
	Painted	Galvanized			
1 25	65Y3010F	66Y3010F	2.75 70.0	2.50 64.0	1.0 0.5
1-1/4 32	65Y3012F	66Y3012F	2.75 70.0	2.50 64.0	1.5 0.7
1-1/2 40	65Y3014F	66Y3014F	2.75 70.0	2.75 70.0	1.8 0.8
2 50	65Y3020F	66Y3020F	3.25 83.0	2.75 70.0	2.4 1.1
2-1/2 65	65Y3024F	66Y3024F	3.75 95.0	3.00 76.0	4.9 2.2
3 80	65Y3030F	66Y3030F	4.25 108.0	3.25 83.0	5.9 2.8
4 100	65Y3040F	66Y3040F	5.00 127.0	3.75 95.0	10.2 4.5
5 125	65Y3050F	66Y3050F	5.50 140.0	4.00 102.0	14.7 6.8
6 150	65Y3060F	66Y3060F	6.50 165.0	4.50 114.0	20.2 9.2
8 200	65Y3080F	66Y3080F	7.75 197.0	6.00 152.0	34.5 15.7
10 250	65Y3100F	66Y3100F	9.00 229.0	6.50 165.0	48.0 21.8
12 300	65Y3120F	66Y3120F	10.00 254.0	7.00 178.0	84.8 38.5
14 350	65Y3140F	66Y3140F	11.00 279.0	7.50 191.0	101.0 45.9
16 400	65Y3160F	66Y3160F	12.00 305.0	8.00 203.0	125.0 56.8
18 450	65Y3180F	66Y3180F	15.50 394.0	8.50 216.0	180.0 81.8
20 500	65Y3200F	66Y3200F	17.25 438.0	9.00 229.0	217.0 98.6
24 600	65Y3240F	66Y3240F	20.00 508.0	10.00 254.0	298.0 135.5

**Fig. 65LY & 66LY**  
45° Lateral

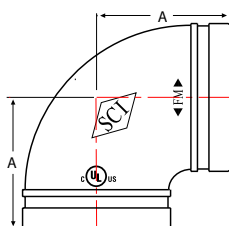
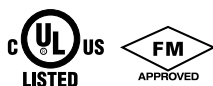
- (F) Fabricated steel fittings – all sizes  
Schedule 40, cut grooved



Pipe Size in / mm	Part Number		LE in / mm	SE in / mm	Weight lb / kg
	Painted	Galvanized			
1 25	65LY3010F	66LY3010F	5.00 127.0	2.25 57.0	1.5 0.7
1-1/4 32	65LY3012F	66LY3012F	5.75 146.0	2.50 64.0	2.2 1.0
1-1/2 40	65LY3014F	66LY3014F	6.25 159.0	2.75 70.0	3.2 1.5
2 50	65LY3020F	66LY3020F	7.00 178.0	2.75 70.0	4.4 2.0
2-1/2 65	65LY3024F	66LY3024F	7.75 197.0	3.00 76.0	9.8 4.5
3 80	65LY3030F	66LY3030F	8.50 216.0	3.25 83.0	11.0 5.0
4 100	65LY3040F	66LY3040F	10.50 267	3.75 95.0	18.0 8.2
5 125	65LY3050F	66LY3050F	12.50 318.0	4.00 102.0	28.5 13.0
6 150	65LY3060F	66LY3060F	14.00 356.0	4.50 114.0	39.0 17.7
8 200	65LY3080F	66LY3080F	18.00 457.0	6.00 152.0	81.8 37.2
10 250	65LY3100F	66LY3100F	20.50 521.0	6.50 165.0	127.0 57.7
12 300	65LY3120F	66LY3120F	23.00 584.0	7.00 178.0	157.0 71.4
14 350	65LY3140F	66LY3140F	26.50 673.0	7.50 191.0	201.0 91.4
16 400	65LY3160F	66LY3160F	29.00 737.0	8.00 203.0	340.0 154.5
18 450	65LY3180F	66LY3180F	32.00 813.0	8.50 216.0	420.0 190.9
20 500	65LY3200F	66LY3200F	35.00 889.0	9.00 229.0	515.0 234.1
24 600	65LY3240F	66LY3240F	40.00 1016.0	10.00 254.0	930.0 422.7

**Fig. 65ES & 66ES**  
90° Elbow, Short Radius

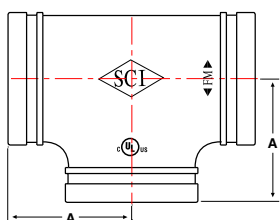
- Ductile Iron - Full Flow



Pipe Size in / mm	Part Number		A in / mm	Case Qty	Weight lb / kg
	Painted	Galvanized			
2 50	65ES3020	66ES3020	2.75 69.9	26	1.5 0.7
2-1/2 65	65ES3024	66ES3024	3.00 76.2	16	2.0 0.9
3 80	65ES3030	66ES3030	3.38 85.9	20	2.9 1.3
4 100	65ES3040	66ES3040	4.00 101.6	12	4.6 2.1
6 150	65ES3060	66ES3060	5.50 139.7	-	11.4 5.2
8 200	65ES3080	66ES3080	6.81 173.0	-	22.7 10.3

**Fig. 65TS & 66TS**  
Tee, Short Radius

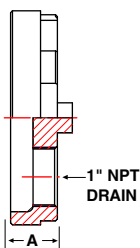
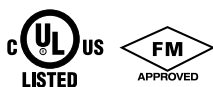
- Ductile Iron - Full Flow



Pipe Size in / mm	Part Number		A in / mm	Case Qty	Weight lb / kg
	Painted	Galvanized			
2 50	65TS3020	66TS3020	2.75 69.9	16	2.1 0.9
2-1/2 65	65TS3024	66TS3024	3.00 76.2	12	2.8 1.3
3 80	65TS3030	66TS3030	3.38 85.9	12	4.1 1.9
4 100	65TS3040	66TS3040	4.00 101.6	8	6.6 3.0
6 150	65TS3060	66TS3060	5.50 139.7	-	11.1 5.0
8 200	65TS3080	66TS3080	6.94 176.3	-	16.8 7.6

**Fig. 65DC & 66DC**  
Drain Cap

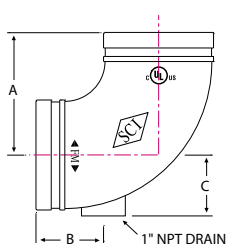
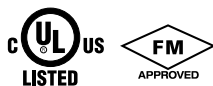
- Ductile Iron
- 1" NPT drain



Pipe Size in / mm	Part Number		A in / mm	Case Qty	Weight lb / kg
	Painted	Galvanized			
2 50	65DC3020	66DC3020	0.88 22.4	80	0.7 0.3
2-1/2 65	65DC3024	66DC3024	0.88 22.4	60	0.8 0.4
3 80	65DC3030	66DC3030	0.88 22.4	40	1.3 0.6
4 100	65DC3040	66DC3040	1.00 25.4	24	2.1 0.9
5 125	65DC3050	66DC3050	1.00 25.4	12	3.5 1.6
6 150	65DC3060	66DC3060	1.00 25.4	10	4.9 2.2
8 200	65DC3080	66DC3080	1.20 30.5	5	10.1 4.6

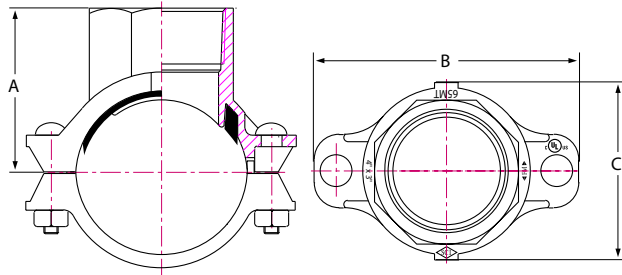
**Fig. 65DE & 66DE**  
Drain Elbow – Standard Radius

- Ductile Iron - Full Flow
- 1" NPT drain



Pipe Size in / mm	Part Number		A in / mm	B in / mm	C in / mm	Case Qty	Weight lb / kg
	Painted	Galvanized					
2 50	65DE3020	66DE3020	3.25 82.6	2.76 70.0	1.30 33.0	20	1.8 0.8
2-1/2 65	65DE3024	66DE3024	3.75 95.3	2.76 70.0	1.68 42.7	12	2.6 1.2
3 80	65DE3030	66DE3030	4.25 108.0	2.76 70.0	2.10 53.3	15	3.7 1.7
4 100	65DE3040	66DE3040	5.00 127.0	2.76 70.0	2.60 66.0	8	5.9 2.7
6 150	65DE3060	66DE3060	6.50 165.1	2.76 70.0	3.65 92.7	-	13.9 6.3
8 200	65DE3080	66DE3080	7.75 196.9	2.76 70.0	4.57 116.1	-	26.6 12.1





**Fig. 65MT & 66MT**  
**Mechanical Tee, NPT**

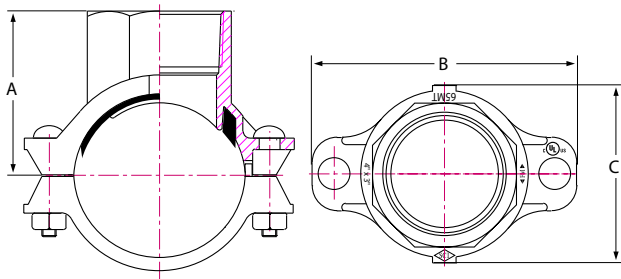
- Maximum working pressure 500 psi (34.5 bar) depending on size and schedule of pipe
- ASME B1.20.1 NPT Threads
- Equivalent length in feet of Schedule 40 outlet pipe with a Hazen-Williams coefficient of 120 per UL 213
- All housings, gaskets and bolts identified by SCI logo
- 100% Magnetic Particle inspection of each Bolt
- Each bolt has a minimum tensile strength of 110,000 psi
- Gasket Grade E - EPDM (green stripe) -30°F (-34°C) to +230°F (+110°C)
- Ductile iron housings conform to ASTM A-536
- Smith-Cooper Warranty only applies to assemblies made with housings, gaskets and bolts carrying the logo

Size Run x Branch in / mm	Part Number		Hole Diameter +1/8, -0 / +3.2, -0 in / mm	Dimensions			Equivalent Length in Feet	Case Qty	Weight lb / kg
	Painted	Galvanized		A	B	C			
2 x 1/2 50 x 15	65MT3020004	66MT3020004	1-1/2 38	2.50 64.0	4.96 126.0	2.80 71.1	-	24	2.0 0.9
2 x 3/4 50 x 20	65MT3020006	66MT3020006	1-1/2 38	2.50 64.0	4.96 126.0	2.80 71.1	-	24	2.0 0.9
2 x 1 50 x 25	65MT3020010	66MT3020010	1-1/2 38	2.50 64.0	4.96 126.0	2.80 71.1	2	24	2.1 1.0
2 x 1-1/4 50 x 32	65MT3020012	66MT3020012	1-3/4 45	2.80 70.1	4.96 126.0	2.80 71.1	4	24	2.2 1.0
2 x 1-1/2 50 x 40	65MT3020014	66MT3020014	1-3/4 45	2.80 70.1	4.96 126.0	2.87 72.9	9	24	2.2 1.0
2-1/2 x 1/2 65 x 15	65MT3024004	66MT3024004	1-1/2 38	2.80 70.1	5.20 132.1	2.80 71.1	-	24	2.2 1.0
2-1/2 x 3/4 65 x 20	65MT3024006	66MT3024006	1-1/2 38	2.80 70.1	5.20 132.1	2.80 71.1	-	24	2.4 1.1
2-1/2 x 1 65 x 25	65MT3024010	66MT3024010	1-1/2 38	2.80 70.1	5.20 132.1	2.80 71.1	2	20	2.6 1.2
2-1/2 x 1-1/4 65 x 32	65MT3024012	66MT3024012	1-3/4 45	3.00 75.9	5.20 132.1	3.03 77.0	4	20	2.8 1.3
2-1/2 x 1-1/2 65 x 40	65MT3024014	66MT3024014	2 51	3.00 75.9	5.20 132.1	3.27 83.1	9	20	3.0 1.4
3 x 1 80 x 25	65MT3030010	66MT3030010	1-1/2 38	3.10 78.0	5.91 150.1	2.80 71.1	2	10	2.6 1.2
3 x 1-1/4 80 x 32	65MT3030012	66MT3030012	1-3/4 45	3.27 83.1	5.91 150.1	3.03 77.0	4	8	2.9 1.3
3 x 1-1/2 80 x 40	65MT3030014	66MT3030014	2 51	3.50 88.9	5.91 150.1	3.27 83.1	3	8	3.1 1.4
3 x 2 80 x 50	65MT3030020	66MT3030020	2-1/2 64	3.50 88.9	5.91 150.1	3.78 96.0	5	12	3.5 1.6
4 x 1 100 x 25	65MT3040010	66MT3040010	1-1/2 38	3.54 89.9	7.09 180.1	2.80 71.1	2	16	3.0 1.3
4 x 1-1/4 100 x 32	65MT3040012	66MT3040012	1-3/4 45	3.78 96.0	7.09 180.1	3.03 77.0	4	14	3.2 1.4
4 x 1-1/2 100 x 40	65MT3040014	66MT3040014	2 51	4.02 102.1	7.09 180.1	3.27 83.1	3	14	3.4 1.6



**Fig. 65MT & 66MT**  
**Mechanical Tee, NPT**

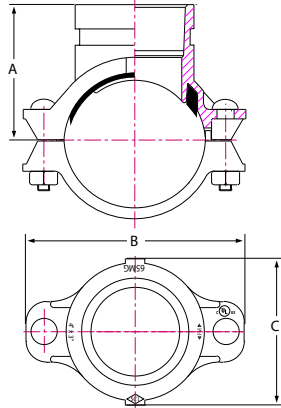
- Maximum working pressure 500 psi (34.5 bar) depending on size and schedule of pipe
- ASME B1.20.1 NPT threads
- Equivalent length in feet of schedule 40 outlet pipe with a Hazen-Williams coefficient of 120 per UL 213
- All housings, gaskets and bolts identified by SCC logo
- 100% magnetic particle inspection of each bolt
- Each bolt has a minimum tensile strength of 110,000 psi
- Gasket Grade E - EPDM (green stripe) -30°F (-34°C) to +230°F (+110°C)
- Ductile iron housings conform to ASTM A-536
- Smith-Cooper Warranty only applies to assemblies made with housings, gaskets and bolts carrying the SCC logo



Size Run x Branch in / mm	Part Number		Hole Diameter +1/8, -0 / +3.2, -0 in / mm	Dimensions			Equivalent Length in Feet	Case Qty	Weight lb / kg
	Painted	Galvanized		A	B	C			
4 x 2 100 x 50	65MT3040020	66MT3040020	2-1/2 64	4.02 102.1	7.24 183.9	3.94 100.1	5	8	4.4 2.0
4 x 2-1/2 100 x 65	65MT3040024	66MT3040024	2-3/4 70	4.02 102.1	7.24 183.9	4.21 106.9	11	8	4.9 2.2
4 x 3 100 x 80	65MT3040030	66MT3040030	3-1/2 89	4.53 115.1	7.24 183.9	4.76 120.9	13	6	6.1 2.8
5 x 1-1/4 125 x 32	65MT3050012	66MT3050012	1-3/4 45	4.76 120.9	7.99 202.9	3.03 77.0	4	8	4.1 1.9
5 x 1-1/2 125 x 40	65MT3050014	66MT3050014	2 51	4.76 120.9	7.99 202.9	3.27 83.1	3	8	4.2 1.9
5 x 2 125 x 50	65MT3050020	66MT3050020	2-1/2 64	4.76 120.9	8.66 220.0	3.94 100.1	5	6	6.0 2.7
5 x 2-1/2 125 x 65	65MT3050024	66MT3050024	2-3/4 70	4.76 120.9	8.66 220.0	4.21 106.9	11	6	6.6 3.0
5 x 3 125 x 80	65MT3050030	66MT3050030	3-1/2 89	5.00 127.0	8.66 220.0	4.92 125.0	13	4	7.5 3.4
6 x 1-1/4 150 x 32	65MT3060012	66MT3060012	1-3/4 45	5.12 130.0	9.13 231.9	3.03 77.0	4	8	4.4 2.0
6 x 1-1/2 150 x 40	65MT3060014	66MT3060014	2 51	5.12 130.0	9.13 231.9	3.27 83.1	3	8	4.5 2.0
6 x 2 150 x 50	65MT3060020	66MT3060020	2-1/2 64	5.12 130.0	9.76 247.9	3.94 100.1	5	6	6.5 3.0
6 x 2-1/2 150 x 65	65MT3060024	66MT3060024	2-3/4 70	5.12 130.0	9.76 247.9	4.21 106.9	11	6	6.8 3.1
6 x 3 150 x 80	65MT3060030	66MT3060030	3-1/2 89	5.51 140.0	9.76 247.9	4.92 125.0	13	4	7.9 3.6
6 x 4 150 x 100	65MT3060040	66MT3060040	4-1/2 114	5.75 146.1	9.76 247.9	5.91 150.1	15	3	9.6 4.4
8 x 2 200 x 50	65MT3080020	66MT3080020	2-1/2 64	6.26 159.0	11.81 300.0	3.94 100.1	5	4	8.2 3.7
8 x 2-1/2 200 x 65	65MT3080024	66MT3080024	2-3/4 70	6.26 159.0	11.81 300.0	4.21 106.9	11	3	8.6 3.9
8 x 3 200 x 80	65MT3080030	66MT3080030	3-1/2 89	6.50 165.1	11.81 300.0	4.92 125.0	13	3	9.3 4.2
8 x 4 200 x 100	65MT3080040	66MT3080040	4-1/2 114	6.73 170.9	11.81 300.0	5.91 150.1	15	2	10.7 4.9



# Mechanical Tee, Grooved



**Fig. 65MG & 66MG**  
**Mechanical Tee, Grooved**

- Maximum working pressure 500 psi (34.5 bar) depending on size and schedule of pipe
- Equivalent length in feet of schedule 40 outlet pipe with a Hazen-Williams coefficient of 120 per UL 213
- All housings, gaskets and bolts identified by SCI logo
- Gasket Grade E - EPDM (green stripe) -30°F (-34°C) to +230°F (+110°C)
- Ductile iron housings conform to ASTM A-536
- Groove dimensions to AWWA C-606
- Smith-Cooper Warranty only applies to assemblies made with housings, gaskets and bolts carrying the logo

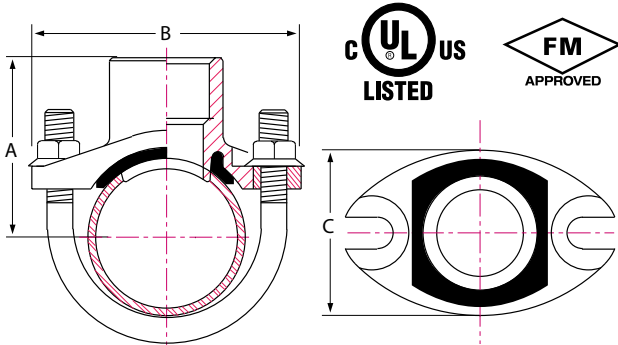


Size Run x Branch in / mm	Part Number		Hole Diameter +1/8, -0 / +3.2, -0 in / mm	Dimensions			Equivalent Length in Feet	Case Qty	Weight lb / kg
	Painted	Galvanized		A	B	C			
3 x 1-1/4 80 x 32	65MG3030012	66MG3030012	1-3/4 45	3.50 89.9	5.90 150.1	3.03 77.0	4	10	3.0 1.4
3 x 1-1/2 80 x 40	65MG3030014	66MG3030014	2 51	3.50 89.9	5.90 150.1	3.30 83.1	3	8	3.1 1.4
3 x 2 80 x 50	65MG3030020	66MG3030020	2-1/2 64	3.50 89.9	5.90 150.1	3.80 96.0	5	12	3.6 1.6
4 x 1-1/4 100 x 40	65MG3040012	66MG3040012	1-3/4 45	4.00 102.1	7.10 180.1	3.03 77.0	4	16	3.2 1.4
4 x 1-1/2 100 x 40	65MG3040014	66MG3040014	2 51	4.00 102.1	7.10 180.1	3.30 83.1	3	14	4.3 1.9
4 x 2 100 x 50	65MG3040020	66MG3040020	2-1/2 64	4.02 102.1	7.24 183.9	3.94 100.1	5	8	4.4 2.0
4 x 2-1/2 100 x 65	65MG3040024	66MG3040024	2-3/4 70	4.02 102.1	7.24 183.9	4.21 106.9	11	8	4.9 2.2
4 x 3 100 x 80	65MG3040030	66MG3040030	3-1/2 89	4.53 115.1	7.24 183.9	4.76 120.9	13	8	6.1 2.8
5 x 1-1/2 125 x 40	65MG3050014	66MG3050014	2 51	4.76 120.9	7.99 202.9	3.27 83.1	3	8	4.2 1.9
5 x 2 125 x 50	65MG3050020	66MG3050020	2-1/2 64	4.76 120.9	8.66 220.0	3.94 100.1	5	6	6.0 2.7
5 x 2-1/2 125 x 65	65MG3050024	66MG3050024	2-3/4 70	4.76 120.9	8.66 220.0	4.21 106.9	11	6	6.6 3.0
5 x 3 125 x 80	65MG3050030	66MG3050030	3-1/2 89	5.00 127.0	8.66 220.0	4.92 125.0	13	6	7.5 3.4
6 x 1-1/4 150 x 32	65MG3060012	66MG3060012	1-3/4 45	5.12 130.0	9.13 231.9	3.03 77.0	4	8	4.4 2.0
6 x 1-1/2 150 x 40	65MG3060014	66MG3060014	2 51	5.12 130.0	9.13 231.9	3.27 83.1	3	8	4.5 2.0
6 x 2 150 x 50	65MG3060020	66MG3060020	2-1/2 64	5.12 130.0	9.76 247.9	3.94 100.1	5	6	6.5 3.0
6 x 2-1/2 150 x 65	65MG3060024	66MG3060024	2-3/4 70	5.12 130.0	9.76 247.9	4.21 106.9	11	6	6.8 3.1
6 x 3 150 x 80	65MG3060030	66MG3060030	3-1/2 89	5.51 140.0	9.76 247.9	4.92 125.0	13	5	7.9 3.6
6 x 4 150 x 100	65MG3060040	66MG3060040	4-1/2 114	5.75 146.1	9.76 247.9	5.91 150.1	15	4	9.6 4.4
8 x 2 200 x 50	65MG3080020	66MG3080020	2-1/2 64	6.26 159.0	11.81 300.0	3.94 100.1	5	4	8.2 3.7
8 x 2-1/2 200 x 65	65MG3080024	66MG3080024	2-3/4 70	6.26 159.0	11.81 300.0	4.21 106.9	11	4	8.6 3.9
8 x 3 200 x 80	65MG3080030	66MG3080030	3-1/2 89	6.50 165.1	11.81 300.0	4.92 125.0	13	3	9.3 4.2
8 x 4 200 x 100	65MG3080040	66MG3080040	4-1/2 114	6.73 170.9	11.81 300.0	5.91 150.1	15	3	10.7 4.9



**Fig. 65MU & 66MU  
Strap Tee, NPT**

- Maximum working pressure 300 psi (20.7 bar) depending on size and schedule of pipe
- ASME B1.20.1 NPT threads
- Equivalent length in feet of schedule 40 outlet pipe with a Hazen-Williams coefficient of 120 per UL 213
- 1" outlets not listed by UL for direct connection to 1" sprinkler heads
- Gasket Grade E - EPDM (green stripe) -30°F (-34°C) to +230°F (+110°C)
- Ductile iron housings conform to ASTM A-536
- Smith-Cooper Warranty only applies to assemblies made with housings, gaskets and bolts carrying the logo



Size Run x Branch in / mm	Part Number		Hole Diameter +1/8, -0 / +3.2, -0 in / mm	Dimensions			Equivalent Length in Feet	Case Qty	Weight lb / kg
	Painted	Galvanized		A	B	C			
1-1/4 x 1/2 32 x 15	65MU3012004	66MU3012004	1-1/4 32	1.65 41.9	3.54 89.9	2.28 57.9	-	50	0.8 0.4
1-1/4 x 3/4 32 x 20	65MU3012006	66MU3012006	1-1/4 32	1.85 47.0	3.54 89.9	2.28 57.9	-	50	0.9 0.4
1-1/4 x 1 32 x 25	65MU3012010	66MU3012010	1-1/4 32	2.13 54.1	3.54 89.9	2.28 57.9	5	50	1.0 0.5
1-1/2 x 1/2 40 x 15	65MU3014004	66MU3014004	1-1/4 32	1.77 45.0	3.54 89.9	2.28 57.9	-	48	0.8 0.4
1-1/2 x 3/4 40 x 20	65MU3014006	66MU3014006	1-1/4 32	1.97 50.0	3.54 89.9	2.28 57.9	-	48	0.9 0.4
1-1/2 x 1 40 x 25	65MU3014010	66MU3014010	1-1/4 32	2.24 56.9	3.54 89.9	2.28 57.9	5	48	1.0 0.5
2 x 1/2 50 x 15	65MU3020004	66MU3020004	1-1/4 32	2.01 51.1	3.74 95.0	2.28 57.9	-	45	0.8 0.4
2 x 3/4 50 x 20	65MU3020006	66MU3020006	1-1/4 32	2.20 55.9	3.74 95.0	2.28 57.9	-	45	0.9 0.4
2 x 1 50 x 25	65MU3020010	66MU3020010	1-1/4 32	2.48 63.0	3.74 95.0	2.28 57.9	5	45	1.0 0.5
2-1/2 x 1/2 65 x 15	65MU3024004	66MU3024004	1-1/4 32	2.26 57.4	4.29 109.0	2.28 57.9	-	36	1.0 0.5
2-1/2 x 3/4 65 x 20	65MU3024006	66MU3024006	1-1/4 32	2.50 62.5	4.29 109.0	2.30 57.9	-	36	1.1 0.5
2-1/2 x 1 65 x 25	65MU3024010	66MU3024010	1-1/4 32	2.70 69.6	4.29 109.0	2.30 57.9	5	36	1.2 0.5

*Please see complete installation instructions at [www.smithcooper.com](http://www.smithcooper.com) for important guidelines and limitations on the use and applications of COOPLOK™ Grooved Couplings and Fittings.*





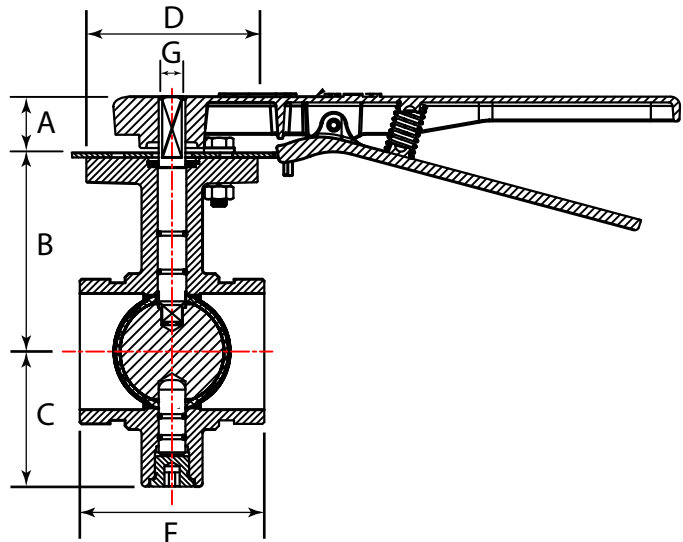
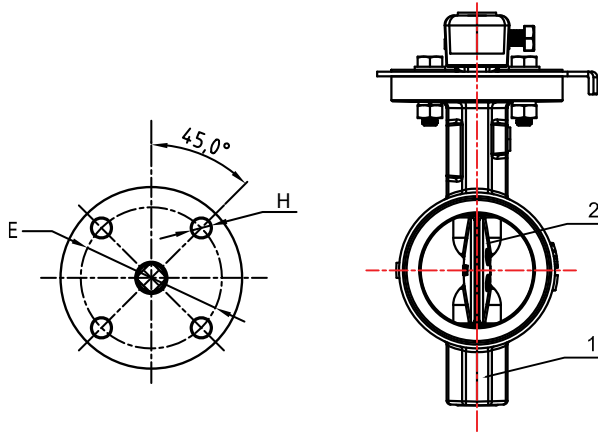
# Grooved End Butterfly Valve - Lever Handle & Gear Operator



**Fig. 67BFVG**  
**Grooved End Butterfly Valve**

- 300 psi working pressure
- EPDM 200° F maximum working temperature
- NBR 180° F maximum working temperature
- 10-Position lever handle or gear operator
- Grease fitting on gear operator
- Upper and lower shafts - Stainless Steel Grade 420 ASTM A-276
- O-Rings - EPDM or NBR
- Handwheel - Ductile Iron
- Lever Handle - ASTM A-536 Ductile Iron
- Lever Handle Lengths - 2" - 6" Valves = 10", 8" Valves = 13"
- Suitable for "Dead End" Service

No.	Part	Material Specification
1	Body	ASTM A-536 Ductile Iron, Epoxy Coated
2	Disc	ASTM A-536 Ductile Iron with either EPDM or NBR Coating



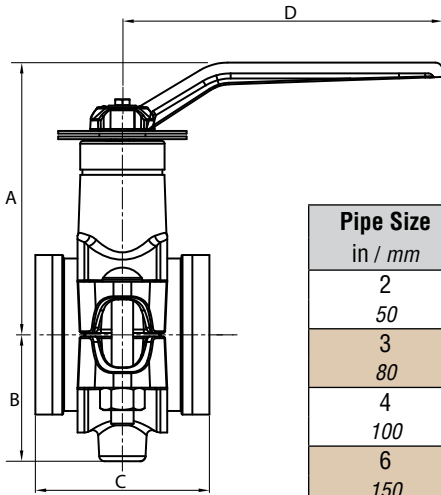
Pipe Size in / mm	Part Number				A in / mm	B in / mm	C in / mm	D in / mm	E in / mm	F in / mm	G in / mm	H in / mm	Hand-wheel in / mm	Weight w/Lever lb / kg	Weight w/Gear lb / kg
	EPDM		NBR												
	Lever	Gear	Lever	Gear											
2 50	67BFVGEL020	67BFVGE020	67BFVGNL020	67BFVNG020	1.26 32.0	4.84 123.0	2.17 55.0	3.54 90.0	2.76 70.0	3.19 81.0	0.43 11.0	0.39 10.0	5.75 146.0	6.7 3.0	11.95 5.4
2-1/2 65	67BFVGEL024	67BFVGE024	67BFVGNL024	67BFVNG024	1.26 32.0	5.00 127.0	2.64 67.0	3.54 90.0	2.76 70.0	3.81 96.8	0.43 11.0	0.39 10.0	5.75 146.0	7.5 3.4	12.75 5.8
3 80	67BFVGEL030	67BFVGE030	67BFVGNL030	67BFVNG030	1.26 32.0	4.57 116.0	3.07 78.0	3.54 90.0	2.76 70.0	3.81 96.8	0.43 11.0	0.39 10.0	5.75 146.0	8.7 3.9	13.8 6.3
4 100	67BFVGEL040	67BFVGE040	67BFVGNL040	67BFVNG040	1.26 32.0	5.59 142.0	3.58 91.0	3.54 90.0	2.76 70.0	4.56 115.8	0.55 14.0	0.39 10.0	5.75 146.0	12.2 5.5	16.35 7.4
5 125	67BFVGEL050	67BFVGE050	67BFVGNL050	67BFVNG050	1.26 32.0	5.87 149.0	4.69 119.0	3.54 90.0	2.76 70.0	5.81 147.6	0.55 14.0	0.39 10.0	5.75 146.0	17.3 7.9	24.0 10.9
6 150	67BFVGEL060	67BFVGE060	67BFVGNL060	67BFVNG060	1.26 32.0	6.61 168.0	5.31 135.0	3.54 90.0	2.76 70.0	5.81 147.6	0.67 17.0	0.39 10.0	5.75 146.0	27.1 12.3	41.0 18.4
8 200	67BFVGEL080	67BFVGE080	67BFVGNL080	67BFVNG080	1.57 40.0	7.95 202.0	6.30 160.0	4.92 125.0	4.01 102.0	5.25 133.4	0.67 17.0	0.47 12.0	11.50 292.0	32.5 14.6	46.5 20.9
10 250	-	67BFVGE100	-	67BFVNG100	1.57 40.0	9.00 228.6	7.80 198.0	4.92 125.0	4.01 102.0	6.25 158.8	0.87 22.0	0.47 12.0	11.50 292.0	-	93.0 41.9
12 300	-	67BFVGE120	-	67BFVNG120	1.57 40.0	10.50 266.7	9.06 230.0	4.92 125.0	4.01 102.0	6.50 165.1	0.87 22.0	0.47 12.0	11.50 292.0	-	111.0 49.9



**Fig. 67LPN**  
**“Low Profile” Grooved Butterfly Valve**

- Designed for use in oil, gas and mining services
- Ductile Iron housing
- Carbon Steel body, NBR Elastomer Lined
- 316 Stainless Steel disc
- 2-position cast handle with padlock feature
- 200 psi working pressure
- Color - Black

Part	Material	Material Specification
Housing	Ductile Iron	ASTM A-536, Grade 65-45-12
Body	Carbon Steel	NBR Elastomer Lined
Seat	NBR	
Disc	Stainless Steel	AISI 316
Stem	Stainless Steel	AISI 416
O-Ring	NBR	
Bolt/Nuts	Carbon Steel	Zinc Plated
Handle	Ductile Iron	ASTM A-536, Grade 65-45-12



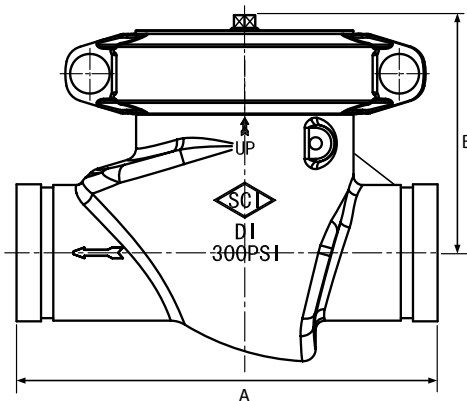
Pipe Size in / mm	Part Number	A in / mm	B in / mm	C in / mm	D in / mm	Weight lb / kg
2 50	67LPN2020	4.70 120.0	1.90 48.0	3.20 81.0	5.50 140.0	3.80 1.70
3 80	67LPN2030	5.95 151.0	2.75 70.0	3.85 97.0	7.00 178.0	7.45 3.40
4 100	67LPN2040	7.10 180.0	3.50 89.0	4.50 116.0	9.00 229.0	12.50 5.87
6 150	67LPN2060	9.00 230.0	4.50 114.0	5.80 148.0	12.00 305.0	31.10 14.15



**Fig. 67CVO**  
**Grooved Swing Check Valve with Bonnet**

- Designed for use in oil, gas and mining services
- For horizontal installation only
- Removable bonnet for inline access and service
- 300 psi working pressure
- 316 Stainless Steel disc
- Color – Black

Part	Material	Material Specification
Body	Ductile Iron	ASTM A-536
Disc	Stainless Steel	AISI 316
Bolts	Carbon Steel	ASTM A-183
Gasket	Rubber	NBR



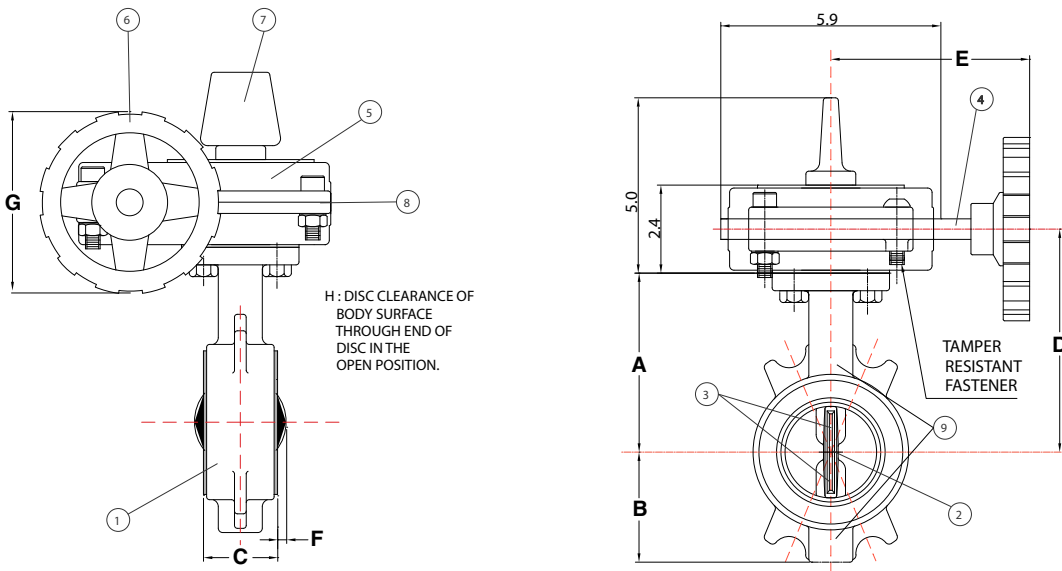
Pipe Size in / mm	Part Number	A in / mm	B in / mm	Weight lb / kg
2 50	67CVON3020	9.00 229.0	5.12 130.0	11.00 5.00
3 80	67CVON3030	10.75 273.0	6.00 152.0	19.20 8.73
4 100	67CVON3040	12.00 305.0	6.88 175.0	33.50 15.20



**Fig. 67BFVWET**  
**Wafer End Butterfly Valve with Indicator Flag**

- 300 psi working pressure
- UL/ULC Listed
- FM Approved
- California State Fire Marshall Approval No. 7770-1740:100
- Factory installed replaceable double tamper switch
- Approved for indoor and outdoor use
- Install between (2) Class 125/150 flanges
- Gear operated

No.	Part	Material Specification
1	Body	ASTM A-536 DI, Nylon-11 Coated
2	Disc	ASTM A-536 DI, EPDM Encapsulated
3	Upper & Lower Stems	AISI Type 420 Stainless Steel
4	Input Shaft	AISI Type 410 Stainless Steel
5	Gear Housing	ASTM A-536 Ductile Iron
6	Handwheel	ASTM A-536 Ductile Iron
7	Flag Indicator	ASTM A-536 Ductile Iron
8	Gear Housing Gasket	EPDM
9	O-Rings (All)	EPDM



Pipe Size in / mm	Part Number	A in / mm	B in / mm	C in / mm	D in / mm	E in / mm	F in / mm	G in / mm	Weight lb / kg
2-1/2 65	67BFVWET024	5.35 136.0	3.43 87.0	1.81 46.0	6.54 166.0	5.31 135.0	0.32 8.2	5.00 128	22.0 10.0
3 80	67BFVWET030	5.63 143.0	3.66 93.0	1.81 46.0	6.81 173.0	5.31 135.0	0.57 14.5	5.00 128	23.0 10.4
4 100	67BFVWET040	6.14 156.0	4.29 109.0	2.05 52.0	7.32 186.0	5.31 135.0	0.89 22.7	5.00 128	27.0 12.2
6 150	67BFVWET060	7.40 188.0	5.67 144.0	2.20 56.0	8.58 218.0	8.66 193.0	1.79 45.4	8.70 220	33.0 15.0
8 200	67BFVWET080	8.74 222.0	6.54 166.0	2.28 58.0	9.92 252.0	8.66 193.0	2.72 69.1	8.70 220	45.0 20.3

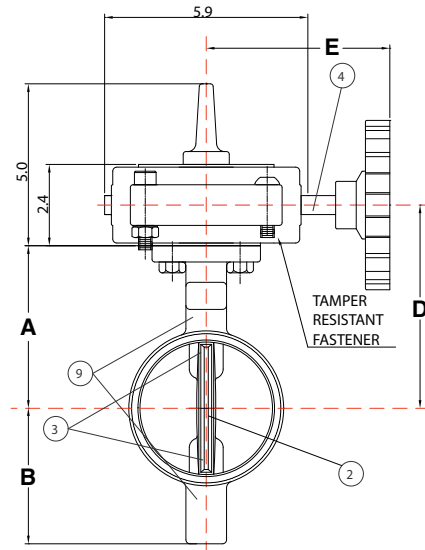
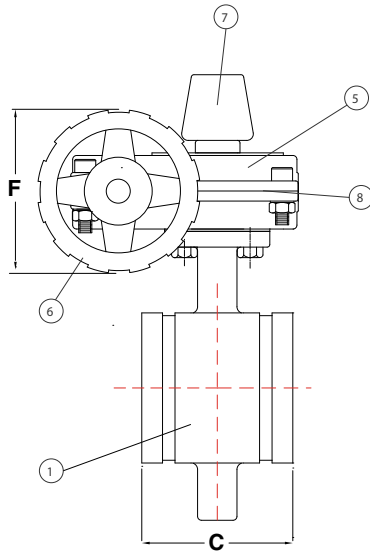
**Fig. 67BFVGET**

**Grooved End Butterfly Valve with Indicator**

- 300 psi working pressure
- UL/ULC Listed
- FM Approved
- California State Fire Marshall Approval No. 7770-1740:100
- Factory installed replaceable double tamper switch
- Approved for indoor and outdoor use
- Grooved ends
- Gear operated



No.	Part	Material Specification
1	Body	ASTM A-536 DI, Nylon-11 Coated
2	Disc	ASTM A-536 DI, EPDM Encapsulated
3	Upper & Lower Stems	AISI Type 420 Stainless Steel
4	Input Shaft	AISI Type 410 Stainless Steel
5	Gear Housing	ASTM A-536 Ductile Iron
6	Handwheel	ASTM A-536 Ductile Iron
7	Flag Indicator	ASTM A-536 Ductile Iron
8	Gear Housing Gasket	EPDM
9	O-Rings (All)	EPDM



Pipe Size in / mm	Part Number	A in / mm	B in / mm	C in / mm	D in / mm	E in / mm	F in / mm	Weight lb / kg
2-1/2 65	67BFVGET024	4.13 105.0	3.80 96.4	3.80 96.4	5.31 135.0	5.31 135.0	5.00 128.0	22.0 10.0
3 80	67BFVGET030	4.41 112.0	3.80 96.4	3.80 96.4	5.59 142.0	5.31 135.0	5.00 128.0	23.0 10.4
4 100	67BFVGET040	5.71 145.0	4.54 115.4	4.54 115.4	6.89 175.0	5.31 135.0	5.00 128.0	27.0 12.2
6 150	67BFVGET060	7.05 179.0	5.21 132.4	5.21 132.4	8.23 209.0	7.60 193.0	8.70 220.0	42.0 18.9
8 200	67BFVGET080	8.03 204.0	5.80 147.4	5.80 147.4	9.21 234.0	7.60 193.0	8.70 220.0	47.0 21.2





# Grooved Swing Check & UL/FM Riser Check Valve



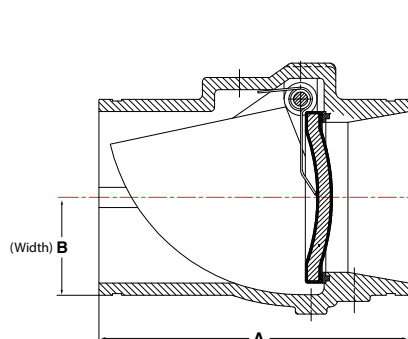
**Fig. 67CV**  
Grooved Swing Check Valve

- Designed for use in wet pipe systems
- For vertical\* or horizontal installation
- 300 psi working pressure
- EPDM or NBR coated disc; stainless steel seat
- Groove dimensions to AWWA C-606
- Fusion bonded epoxy coated interior & exterior
- Color – Black

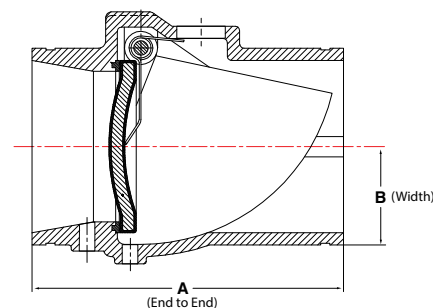
\*Upward flow only.

**Fig. 67CVR**  
UL/FM Grooved Riser Check Valve

- Designed for use in wet pipe fire sprinkler systems
- Factory NPT tapped and plugged for drain and gauge connections
- For vertical or horizontal installation
- 300 psi working pressure
- EPDM coated disc; bronze seat
- Groove dimensions to AWWA C-606
- Fusion bonded epoxy coated interior & exterior
- Color – Red



Part	Material	Material Specification
Body	Ductile Iron	ASTM A-536 Grade 65-45-12
Body Seat CV	Stainless Steel	AISI 316
Body Seat CVR	Bronze	ASTM B62
Disc	Ductile Iron	ASTM A-536 Grade 65-45-12
Disc Coating	Vulcanized Rubber	EPDM or NBR**
Shaft	Stainless Steel	AISI 316
Spring	Stainless Steel	AISI 304
Shaft Plug	Stainless Steel	AISI 304
Gasket	Rubber	EPDM or NBR**



\*\*EPDM or NBR available for Fig. 67CV only.

Pipe Size in / mm	Part Number			A in / mm	B in / mm	Weight lb / kg
	Fig. 67CVE - EPDM	Fig. 67CVN - NBR	Fig. 67CVR - EPDM			
2 50	67CVE3020	67CVN3020	-	7.50 190.0	2.50 63.0	5.9 2.7
2-1/2 65	67CVE3024	67CVN3024	67CVRE3024	8.00 203.0	3.00 76.0	8.1 3.7
3 80	67CVE3030	67CVN3030	67CVRE3030	8.38 213.0	3.00 76.0	11.0 5.0
4 100	67CVE3040	67CVN3040	67CVRE3040	10.00 254.0	4.00 101.0	20.2 9.2
5 125	67CVE3050	67CVN3050	-	10.50 267.0	4.50 114.0	32.0 14.5
6 150	67CVE3060	67CVN3060	67CVRE3060	11.50 292.0	5.00 127.0	45.0 20.4
8 200	67CVE3080	67CVN3080	67CVRE3080	14.00 356.0	6.00 154.0	70.0 31.7
10 250	67CVE3100	67CVN3100	-	17.00 432.0	7.40 188.0	134.0 60.7
12 300	67CVE3120	67CVN3120	-	19.50 495.0	8.10 205.0	194.0 88.0



**Maximum Working Pressures (psi)**

Pipe Size Nominal Dia. (in)	Std. Weight Couplings	Lightweight Couplings	HP Couplings 65HP/65HP-ES	Reducing Couplings	Flange Adapters	Standard Radius Fittings	Short Radius Fittings	Drain 90's & Caps	Mech & Strap Tees	Fabricated Fittings
1	1000					1000				300
1-1/4	1000	500				1000	300		300	300
1-1/2	1000	500		300		1000	300		300	300
2	1000	500	1000/2500	300	300	1000	300	300	300	300
2-1/2	1000	500		300	300	1000	300	300	300	300
3	1000	500	1000/2500	300	300	1000	300	300	300	300
4	1000	500	1000/2500	300	300	1000	300	300	300	300
5	1000	500		300	300	1000	300	300	300	300
6	1000	500	1000/2500	300	300	1000	300	300	300	300
8	800	500		300	300	800	300	300	300	300
10	600				300	600				300
12	600				300	600				300
14	300					300				300
16	300					300				300
18	300									300
20	300									300
24	250									250

NOTES: Pressure ratings and end loads for steel pipe are based upon tests performed on pipe prepared to COOPLOK™ Grooved “Standard Roll Groove and Cut Groove Specifications” (see Page 44-46). The maximum working pressure is the maximum line pressure to which a joint should be subjected (including line surge) using a nominal safety factor of 3.

**End Loads For Grooved Couplings (lbs)**

Pipe Size	Pipe ID (in)	Pipe ID (area)	65/66LR 65/66LF	65/66SR 65/66SR	65HP	65HP-ES
			Max. End Load (lbs)	Max. End Load (lbs)	Max. End Load (lbs)	Max. End Load (lbs)
1	1.049	0.864		864		
1-1/4	1.38	1.496	748	1496		
1-1/2	1.61	2.036	1018	2036		
2	2.06	3.333	1666	3333	2500	8332
2-1/2	2.47	4.792	2396	4792		
3	3.07	7.402	3701	7402	2500	18506
4	4.03	12.756	6378	12756	2500	31889
5	5.05	20.030	10015	20030		
6	6.06	28.843	14421	28843	2000	40059
8	8.00	50.266	25133	40212		
10	10.00	78.540		47124		
12	12.00	113.098		67859		
14	13.25	137.887		41366		
16	15.25	182.655		54796		
18	17.25	233.706		70112		
20	19.00	283.529		85059		
24	23.00	415.477		103869		

Maximum end loads are based on all internal and external forces to which a joint should be subjected based on piping system where couplings are being used.



## "C" Type and Triple Seal Gaskets:

1. Check to ensure that gasket is suitable for intended service and that the pipe groove is suitable for the intended coupling.
2. "C" type gasket is pre-lubricated; additional lubrication may be necessary. All other gaskets must be suitably lubricated.
3. Remove any dirt or debris from gasket and pipe ends.
4. Install gasket by placing it over pipe, ensuring that gasket lip does not overhang pipe end.
5. Bring both pipe ends together ensuring and align vertically and horizontally.
6. Slide gasket into position, properly centering between the grooved section of each pipe.
7. Place coupling housings over gasket so that the housing keys are fully engaged into the grooves.
8. Insert bolts into coupling and rotate nuts until finger tight.
9. Wrench-tighten bolts alternately to the torque requirements shown below.

## End Shield™ Gaskets:

1. Check to ensure that gasket is suitable for intended service and that the pipe groove is suitable for the intended coupling.
2. "C" type gasket is pre-lubricated; additional lubrication may be necessary. All other gaskets must be suitably lubricated.
3. Remove any dirt or debris from gasket and pipe ends.
4. Insert the pipe end into the gasket until it contacts the gasket's center rib.
5. Bring both pipe ends together and align vertically and horizontally.
6. Insert the second pipe end into the gasket until it contacts the center rib.
7. Place coupling housings over gasket making sure that the tongue and recess areas of the housing mate properly.
8. Insert bolts into coupling and rotate nuts until finger tight.
9. Wrench-tighten bolts alternately to the torque requirements shown below.

## Grooved Coupling Bolt Torques

Pipe Size in / mm	Standard Flexible 65SF & 66SF ft /lbs / N/M	Standard Rigid 65SR & 66SR ft /lbs / N/M	Lightweight Flexible 65LF & 66LF ft /lbs / N/M	Lightweight Rigid 65LR & 66LR ft /lbs / N/M	Reducing Coupling 65RC & 66RC ft /lbs / N/M	High Pressure 65HP & 65HP-ES ft /lbs / N/M
1 25	30 40	30 40	—	—	—	—
1-1/4 32	50 65	30 40	30 40	30 40	—	—
1-1/2 40	50 65	30 40	30 40	30 40	—	—
2 50	50 65	30 40	30 40	30 40	30 40	90 120
2-1/2 65	50 65	50 65	30 40	30 40	50 65	—
3 80	50 65	50 65	30 40	30 40	50 65	90 120
3-1/2 90	90 120	50 65	50 65	30 40	—	—
4 100	90 120	50 65	50 65	30 40	50 65	150 200
5 125	150 200	90 120	90 120	50 65	90 120	—
6 150	150 200	90 120	90 120	50 65	90 120	200 270
8 200	200 270	150 200	150 200	90 120	150 200	—
10 250	250 340	200 270	—	—	—	—
12 300	250 340	200 270	—	—	—	—
14 350	250 340	200 270	—	—	—	—
16 400	250 340	200 270	—	—	—	—
18 450	300 400	200 270	—	—	—	—
20 500	300 400	250 340	—	—	—	—
24 600	300 400	250 340	—	—	—	—

## Hinged Flange Adapter

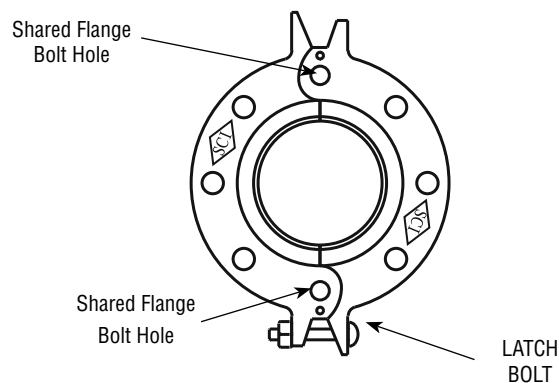
### Assembly:

1. Verify that mating flange meets Class 125/150 dimensions.
2. Loosen the latch bolt nut and pull it out of the flange slot. Open the hinged flange and install it on the grooved pipe end with the flange's key section inserted into the pipe groove. The SCI logo must face away from the pipe end.
3. Return the latch bolt into the flange slot. Do not tighten the bolt completely.
4. Check the gasket to ensure that it is suitable for the intended service. Lubricate the exterior of the gasket, using a silicone lubricant or equivalent.
5. Press the hinged flange gasket into the gasket cavity, making sure that the gasket is oriented correctly.
6. Tighten the nut of the latch bolt to the specified bolt torque. The hinged flange housings must overlap completely so a flange bolt can be inserted into the shared hole.
7. The mating flange must be flat, smooth and free of gouges or other indentations. Check that the gasket is still located properly and bring the two flanges together.
8. Starting with the shared holes on the hinged flange, insert flange bolts meeting SAE J429 Grade 5 or higher through both flanges. Hand-tighten nuts onto the bolts and then torque the nuts to the values in the table, keeping the flanges parallel as the nuts are being tightened alternately.

Pipe Size in	Flange Bolt Torque ft./lbs / N/M	Latch Bolt Torque ft./lbs / N/M
2" - 3"	100 - 130 135 - 175	40 55
4" - 6"	200 - 250 270 - 340	40 55
8"	300 - 400 400 - 540	40 55
10" - 12"	400 - 500 540 - 670	40 55

**NOTE:**

If the Hinged Flange Adapter is being mated to the rubber flange seal or wafer style butterfly valve, the 65FHR (phenolic flange ring) must be used.



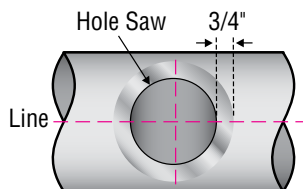
**Hinged Flanged Adapter  
65FH & 66FH**

## Mechanical and Strap Tees

### Preparation:

After cutting hole, clean pipe surface within 3/4" of hole to make certain it is free from foreign matter to allow adequate seating of gasket. The area around the circumference of the pipe should be cleaned to allow full seating of the branch opening on the pipe surface.

Branch Outlet Size in	Mechanical Tees Hole Saw Size in	Strap Tees Hole Saw Size in
1/2"	1-1/2"	1-1/4"
3/4"	1-1/2"	1-1/4"
1"	1-1/2"	1-1/4"
1-1/4"	1-3/4"	-
1-1/2"	2"	-
2"	2-1/2"	-
2-1/2"	2-3/4"	-
3"	3-1/2"	-
4"	4-1/2"	-



### Assembly:

1. Disassemble tee, removing track bolts.
2. Lubricate tee gasket using standard gasket lubricant.
3. Insert unit over hole, align it and hand-tighten bolts.
4. Gently rock the tee to assure proper placement over hole.
5. Wrench-tighten bolts alternately to the torque requirements shown below. Less torque than listed may not seat properly; more torque than listed may cause gasket to fail to hold pressure.
6. Check to see that housing is firmly installed against pipe with no gaps showing and that no foreign matter is between tee and pipe.

Tee Type	Torque ft./lbs
Mechanical	45-75
Strap	30

**NOTE:**

2 x 1-1/2 Mechanical Tee (65MT3020014 & 66MT3020014)  
must only use a hole saw size of 1-3/4"





## Installation Guidelines:

- Valves are listed/approved for indoor or outdoor installations.
- At least one rigid grooved coupling should be used when installing the grooved butterfly valve so the valve will not rotate on the pipe.
- For outdoor installations, weatherproof conduit and connectors must be used to assure the function of the internal switches. Wiring of the tamper switch must be in accordance with NFPA 72 and requirements of the local authorities.
- The disc of the wafer butterfly valve will extend beyond the valve body in the open position. Be certain that there will be no interference with other piping components during installation.
- Never force the valve closed by a wrench on the hand wheel or any other mechanical advantage as this could distort the valve's components or score the seating surface.

## Installation Instructions:

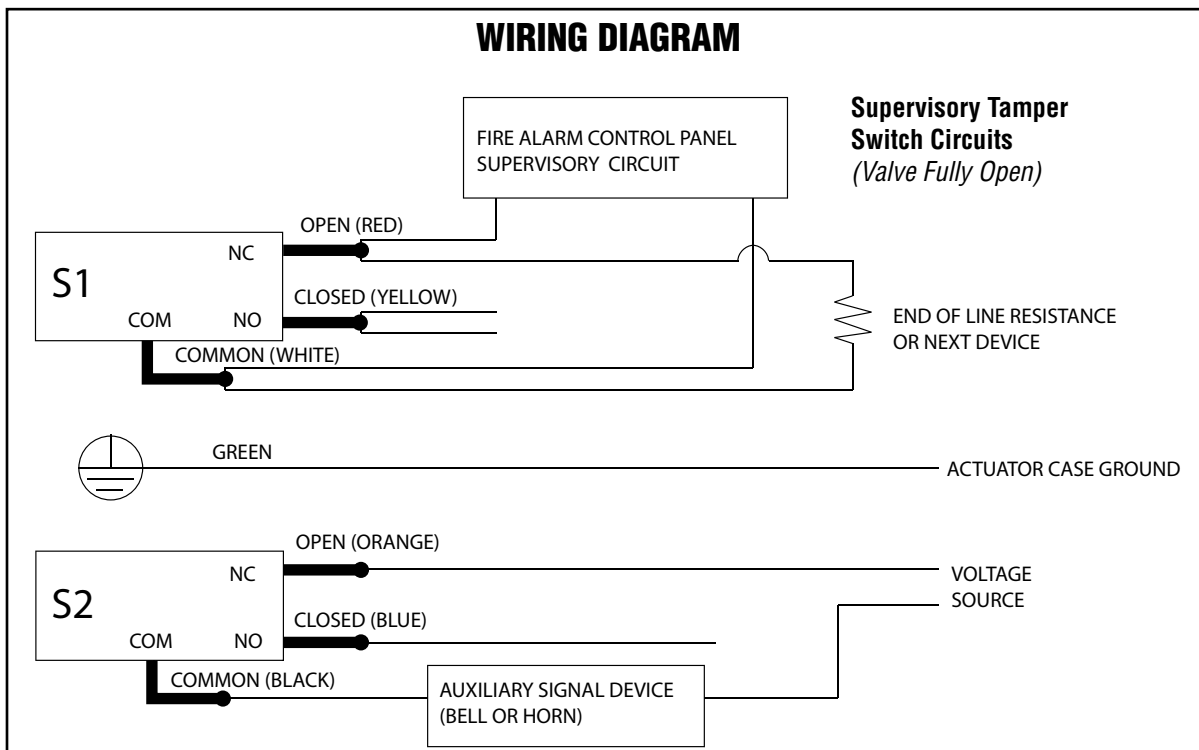
1. Install the valve in the "closed" position to avoid damage to the disc.
2. **Grooved Butterfly Valve:** Refer to installation instructions for grooved couplings with "C" Type Gaskets (Page 40) for details regarding installation of valve in piping system. For installation of Fire Protection Grooved End Butterfly Valve, refer to Tamper Switch Wiring Instructions below for proper wiring connection to alarm system.
3. **Wafer Butterfly Valve:** Install valve between two (2) Class 125/150 flanges, raised or flat face. No flange gasket is required.
4. Connect the wiring of the tamper switch to the fire alarm system as required by the "Authority Having Jurisdiction" (AHJ). Refer to Wiring Diagram below for proper connection.

## Tamper Switch Wiring Instructions:

The tamper switch operates by the gear quadrant connected to the valve stem. The switch will operate within two (2) full turns of the hand wheel from the fully open position. The valve is normally supplied with the switches monitoring the valve in the open position. The double circuit provides one switch for the alarm system and a second switch for an indicating light or audible alarm at the valve location.

**Switch #1 (S1):** For connection to the supervisory circuit of a UL Listed alarm control panel.  
 Normally Closed: 2 Yellow Wires  
 Normally Open: 2 Red Wires  
 Common: 2 White Wires

**Switch #2 (S2):** Auxiliary switch for connection to a local device.  
 Normally Closed: 1 Blue Wire  
 Normally Open: 1 Orange Wire  
 Common: 1 Black Wire  
 Ground Lead: 1 Green Wire





## Riser Check Valve

### Installation Guidelines:

- Intended for use in wet pipe fire sprinkler systems
- The arrow cast on the body must be pointed in the direction of the flow.
- Valves installed vertically must be positioned with the flow in the upward direction.
- Valves installed horizontally must be positioned so the hinge pin is on the top of the valve.
- Grooved end pipe couplings used with the check valve must be installed in accordance with the manufacturer's instructions.
- There are no renewable parts inside the valve. If the valve is leaking it must be replaced.
- Drain outlet: 1-1/2" NPT for 2-1/2" and 3" sizes, 2" NPT for sizes 4" and larger.
- Gauge connections: Two (2) 1/2" NPT
- Trim listings for each valve are available. Contact Smith-Cooper for details.

### Installation Instructions:

1. Valve must not be installed in an area subjected to freezing temperatures.
2. Flush the water piping to ensure that no foreign materials are present before installing.
3. Install the valve into the piping system using grooved couplings; rigid couplings are recommended.
4. If the drain and gauge connections are being used remove the pipe plugs from the tapped holes.
5. Use PTFE tape or pipe dope on the male pipe threads to seal the threaded valve connections.
6. The valve can be tested at a maximum pressure of 350 psi for two hours.

### Inspection and Maintenance:

- The system that the valve is installed in must be inspected on a regular basis depending on the requirements of NFPA 25 and the local "Authority Having Jurisdiction" (AHJ).

Pipe Size in / mm	Equivalent Length (Sch 40) ft / m	CV GPM at 1 psi drop
2-1/2 65	7.8 2.4	210
3 80	16.5 5.0	270
4 100	23.9 7.3	430
6 150	25.6 7.8	1250
8 200	43.0 13.1	1950

## Grooved Check Valve

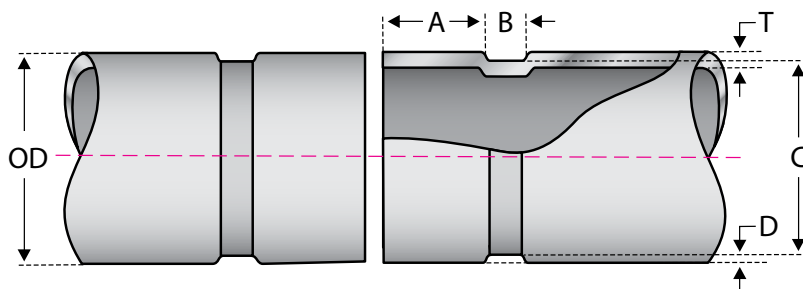
### Installation Guidelines:

- The arrow cast on the body must be pointed in the direction of the flow.
- Valves installed vertically must be positioned with the flow in the upward direction.
- Valves installed horizontally must be positioned so the hinge pin is on the top of the valve.
- Grooved end pipe couplings used with the check valve must be installed in accordance with the manufacturer's instructions.

### NOTE:

Check valves installed too close to sources of turbulent flow may cause potential damage and reduce life of the valve. Valves should be installed downstream from pumps, elbows, and reducers. Distances between three and five times the pipe diameters are allowable as long as flow velocity does not exceed eight feet per second (2.4 meters per second). Distances less than three pipe diameters are not recommended and will void warranty.

It is the designer's responsibility to select an appropriate valve for the intended service and to ensure that pressure and temperature ratings are not exceeded. Check valve sizing and gasket selection should be verified for compatibility with the specific application. Always read and understand installation instructions before beginning installation.



## Pipe Size

Nominal IPS / metric pipe size.

## OD - Pipe Outside Diameter

IPS / Metric outside diameter.

## A & B - Gasket Seat & Groove Width

For IPS pipe, the maximum allowable tolerance from square cut ends are:

- 0.030" for 1" – 3-1/2"
- 0.045" for 4" – 6"

• 0.060" for sizes 8" and up  
Measured from a true square line.

For metric size pipe, the maximum allowable tolerance from square cut ends are:

- 0.75mm for sizes 25 – 80mm
- 1.15mm for sizes 100 – 150mm
- 1.50mm for sizes 200mm and up

Measured from a true square line.

## C - Groove Diameter

The groove must be of uniform depth around the entire pipe circumference  
(See D - Groove Depth).

## D - Groove Depth

For reference only. Groove must conform to C - Groove Diameter.

## T - Minimum Allowable Wall Thickness

Minimum allowable wall thickness which may be roll grooved.

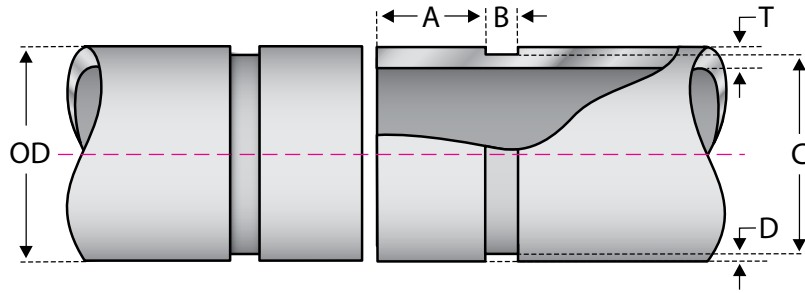
## Maximum Flare Diameter

Maximum allowable pipe end flare diameter. Measured at the most extreme pipe end diameter of the gasket seat area.

Pipe Size	OD			A	B	C		D	T	Max Flare Dia.
	Pipe Outside Diameter			Gasket Seat	Groove Width	Groove Diameter		Groove Depth (Ref.)	Min. Wall Thick.	
	Actual	Tolerance		$\pm 0.03$ IN $\pm 0.77$ mm	$\pm 0.03$ IN $\pm 0.77$ mm	Actual	Tolerance	in / mm	in / mm	
1	1.315	+0.015	-0.015	0.625	0.281	1.190	-0.015			0.062
25	33.7	+0.381	-0.381	15.88	7.14	30.23	-0.381	1.575	1.575	34.5
1-1/4	1.660	+0.015	-0.015	0.625	0.281	1.535	-0.015	0.062	0.065	1.705
32	42.4	+0.381	-0.381	15.88	7.14	38.99	-0.381	1.575	1.575	43.3
1-1/2	1.900	+0.015	-0.015	0.625	0.281	1.775	-0.015	0.062	0.065	1.945
40	48.3	+0.381	-0.381	15.88	7.14	45.09	-0.381	1.575	1.575	49.4
2	2.375	+0.024	-0.024	0.625	0.344	2.250	-0.015	0.062	0.065	2.447
50	60.3	+0.610	-0.610	15.88	8.74	57.15	-0.381	1.575	1.575	62.2
2-1/2	2.875	+0.029	-0.029	0.625	0.344	2.720	-0.018	0.078	0.083	2.962
65	73.0	+0.737	-0.737	15.88	8.74	69.09	-0.457	1.981	2.108	75.2
3	3.500	+0.035	-0.031	0.625	0.344	3.344	-0.018	0.078	0.083	3.566
80	88.9	+0.889	-0.787	15.88	8.74	84.94	-0.457	1.981	2.108	90.6
3-1/2	4.000	+0.040	-0.031	0.625	0.344	3.834	-0.020	0.083	0.083	4.071
90	101.6	+1.016	-0.787	15.88	8.74	97.38	-0.508	2.108	2.108	103.4
4	4.500	+0.045	-0.031	0.625	0.344	4.334	-0.020	0.083	0.083	4.576
100	114.3	+1.143	-0.787	15.88	8.74	110.08	-0.508	2.108	2.108	116.2
5	5.563	+0.056	-0.031	0.625	0.344	5.395	-0.022	0.084	0.109	5.650
125	141.3	+1.422	-0.787	15.88	8.74	137.03	-0.559	2.134	2.769	143.5
6	6.625	+0.063	-0.031	0.625	0.344	6.455	-0.022	0.085	0.109	6.719
150	168.3	+1.600	-0.787	15.88	8.74	163.96	-0.559	2.159	2.769	170.7
8	8.625	+0.063	-0.031	0.750	0.469	8.441	-0.025	0.092	0.109	8.719
200	219.1	+1.600	-0.787	19.05	11.91	214.40	-0.635	2.337	2.769	221.5
10	10.750	+0.063	-0.031	0.750	0.469	10.562	-0.027	0.094	0.134	10.844
250	273.0	+1.600	-0.787	19.05	11.91	268.28	-0.686	2.388	3.404	275.4
12	12.750	+0.063	-0.031	0.750	0.469	12.531	-0.030	0.109	0.156	12.844
300	323.9	+1.600	-0.787	19.05	11.91	318.29	-0.762	2.769	3.962	326.2
14	14.000	+0.063	-0.031	0.938	0.469	13.781	-0.030	0.109	0.156	14.094
350	355.6	+1.600	-0.787	23.83	11.91	350.04	-0.762	2.769	3.962	253.0
16	16.000	+0.063	-0.031	0.938	0.469	15.781	-0.030	0.109	0.165	16.094
400	406.4	+1.600	-0.787	23.83	11.91	400.84	-0.762	2.769	4.191	408.8
18	18.000	+0.063	-0.031	1.000	0.469	17.781	-0.030	0.109	0.165	18.094
450	457.2	+1.600	-0.787	25.40	11.91	451.64	-0.762	2.769	4.191	459.6
20	20.000	+0.063	-0.031	1.000	0.469	19.781	-0.030	0.109	0.188	20.094
500	508.0	+1.600	-0.787	25.40	11.91	502.44	-0.762	2.769	4.775	510.4
24	24.000	+0.063	-0.031	1.000	0.500	23.656	-0.030	0.172	0.218	24.100
600	609.6	+1.600	-0.787	25.40	12.70	600.86	-0.762	4.369	5.53	612.1

## NOTES:

1. Gasket seat and groove must be smooth and free from scores, seams, chips, rust or scale which may interfere with proper coupling assembly.
2. Out of Roundness: Difference between maximum OD and minimum OD measured at 90° must not exceed total OD tolerance listed.
3. All tolerances not shown are to comply with latest ASME or ASTM specification applicable to material being used.
4. Not be used with End Shield™ gasket.



### Pipe Size

Nominal IPS / metric pipe size.

### OD - Pipe Outside Diameter

IPS / Metric outside diameter.

### A & B - Gasket Seat & Groove Width

For IPS pipe, the maximum allowable tolerance from square cut ends are:

- 0.030" for 1" – 3-1/2"
- 0.045" for 4" – 6"
- 0.060" for sizes 8" and up

Measured from a true square line.

For metric size pipe, the maximum allowable tolerance from square cut ends are:

- 0.75mm for sizes 25 – 80mm
- 1.15mm for sizes 100 – 150mm
- 1.50mm for sizes 200mm and up

Measured from a true square line.

### C - Groove Diameter

The groove must be of uniform depth around the entire pipe circumference (See D - Groove Depth).

### D - Groove Depth

For reference only. Groove must conform to C - Groove Diameter.

### T - Minimum Allowable Wall Thickness

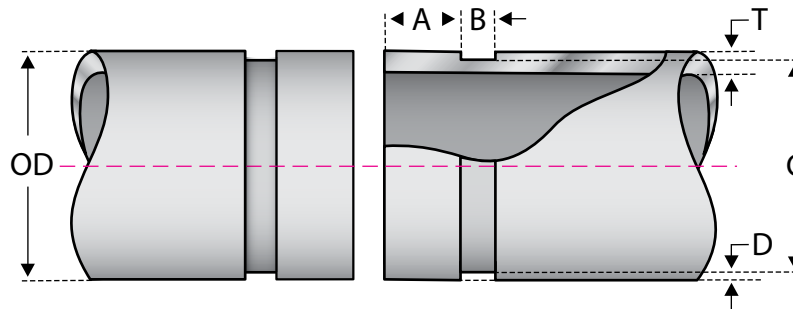
Minimum allowable wall thickness which may be cut grooved.

Pipe Size	OD			Gasket Seat ± 0.03 IN ± 0.77 mm	Groove Width ± 0.03 IN ± 0.77 mm	C		D	T
	Pipe Outside Diameter					Groove Diameter	Groove Depth (Ref.)		
	Actual	Tolerance							
	in / mm	in / mm	in / mm	in / mm	in / mm	in / mm	in / mm	in / mm	in / mm
1	1.315	+0.013	-0.013	0.625	0.312	1.190	-0.015	0.062	0.133
25	33.7	+0.330	-0.330	15.88	7.93	30.23	-0.381	1.575	3.378
1-1/4	1.660	+0.016	-0.016	0.625	0.312	1.535	-0.015	0.062	0.140
32	42.4	+0.406	-0.406	15.88	7.93	38.99	-0.381	1.575	3.556
1-1/2	1.900	+0.019	-0.019	0.625	0.312	1.775	-0.015	0.062	0.145
40	48.3	+0.483	-0.483	15.88	7.93	45.09	-0.381	1.575	3.683
2	2.375	+0.024	-0.024	0.625	0.312	2.250	-0.015	0.062	0.154
50	60.3	+0.610	-0.610	15.88	7.93	57.15	-0.381	1.575	3.912
2-1/2	2.875	+0.029	-0.029	0.625	0.312	2.720	-0.018	0.078	0.187
65	73.0	+0.737	-0.737	15.88	7.93	69.09	-0.457	1.981	4.750
3	3.500	+0.035	-0.031	0.625	0.312	3.344	-0.018	0.078	0.188
80	88.9	+0.889	-0.787	15.88	7.93	84.94	-0.457	1.981	4.775
3-1/2	4.000	+0.040	-0.031	0.625	0.312	3.834	-0.020	0.083	0.188
90	101.6	+1.016	-0.787	15.88	7.93	97.38	-0.508	2.108	4.775
4	4.500	+0.045	-0.031	0.625	0.375	4.334	-0.020	0.083	0.203
100	114.3	+1.143	-0.787	15.88	9.53	110.08	-0.508	2.108	5.156
5	5.563	+0.056	-0.031	0.625	0.375	5.395	-0.022	0.084	0.203
125	141.3	+1.422	-0.787	15.88	9.53	137.03	-0.559	2.134	5.156
6	6.625	+0.063	-0.031	0.625	0.375	6.455	-0.022	0.085	0.219
150	168.3	+1.600	-0.787	15.88	9.53	163.96	-0.559	2.159	5.563
8	8.625	+0.063	-0.031	0.750	0.437	8.441	-0.025	0.092	0.238
200	219.1	+1.600	-0.787	19.05	11.10	214.40	-0.635	2.337	6.045
10	10.750	+0.063	-0.031	0.750	0.500	10.562	-0.027	0.094	0.250
250	273.0	+1.600	-0.787	19.05	12.70	268.28	-0.686	2.388	6.350
12	12.750	+0.063	-0.031	0.750	0.500	12.531	-0.030	0.109	0.279
300	323.9	+1.600	-0.787	19.05	12.70	318.29	-0.762	2.769	7.087
14	14.000	+0.063	-0.031	0.938	0.500	13.781	-0.030	0.109	0.281
350	355.6	+1.600	-0.787	23.83	12.70	350.04	-0.762	2.769	7.137
16	16.000	+0.063	-0.031	0.938	0.500	15.781	-0.030	0.109	0.312
400	406.4	+1.600	-0.787	23.83	12.70	400.84	-0.762	2.769	7.925
18	18.000	+0.063	-0.031	1.000	0.500	17.781	-0.030	0.109	0.312
450	457.2	+1.600	-0.787	25.40	12.70	451.64	-0.762	2.769	7.925
20	20.000	+0.063	-0.031	1.000	0.500	19.781	-0.030	0.109	0.312
500	508.0	+1.600	-0.787	25.40	12.70	502.44	-0.762	2.769	7.925
24	24.000	+0.063	-0.031	1.000	0.563	23.656	-0.030	0.172	0.375
600	609.6	+1.600	-0.787	25.40	14.30	600.86	-0.762	4.369	9.525

### NOTES:

1. For grooving pipe with wall thickness less than T - Minimum Allowable Wall Thickness, see Roll Groove Specifications.
2. Gasket seat and groove must be smooth and free from scores, seams, chips, rust or scale which may interfere with proper coupling assembly.
3. Out of Roundness: Difference between maximum OD and minimum OD measured at 90° must not exceed total OD tolerance listed.
4. All tolerances not shown are to comply with latest ASME or ASTM specification applicable to material being used.
5. Not be used with End Shield™ gasket.





Pipe Size	OD			A		B		C		D	T
	Pipe Outside Diameter			Gasket Seat		Groove Width		Groove Diameter		Groove Depth	Minimum Wall Thickness
	Actual	Tolerance		Actual	Tolerance	Actual	Tolerance	Actual	Tolerance		
in / mm	in / mm	in / mm		in / mm	in / mm	in / mm	in / mm	in / mm	in / mm	in / mm	
2	2.375	+0.024	-0.024	0.562	±0.010	0.255	-0.005	2.250	-0.015	0.063	0.154
50	60.3	+0.610	-0.610	14.27	±0.25	6.48	-0.13	57.15	-0.38	1.60	3.91
3	3.500	+0.035	-0.031	0.562	±0.010	0.255	-0.005	3.344	-0.018	0.078	0.188
80	88.9	+0.889	-0.787	14.27	±0.25	6.48	-0.13	84.94	-0.46	1.98	4.78
4	4.500	+0.045	-0.031	0.605	±0.015	0.305	-0.005	4.334	-0.020	0.083	0.203
100	114.3	+1.143	-0.787	15.37	±0.38	7.75	-0.13	110.08	-0.51	2.11	5.16
6	6.625	+0.063	-0.031	0.605	±0.015	0.305	-0.005	6.455	-0.022	0.085	0.219
150	168.3	+1.600	-0.787	15.37	±0.38	7.75	-0.13	163.96	-0.56	2.16	5.56
8	8.625	+0.063	-0.031	0.714	±0.015	0.400	-0.010	8.441	-0.025	0.092	0.238
200	219.1	+1.600	-0.787	18.14	±0.38	10.16	-0.25	214.40	-0.64	2.34	6.05

### Pipe Size

Nominal IPS / metric pipe size.

### OD - Pipe Outside Diameter

IPS / Metric outside diameter.

### A & B - Gasket Seat & Groove Width

For IPS pipe, the maximum allowable tolerance from square cut ends are:

- 0.030" for 1" – 3-1/2"
- 0.045" for 4" – 6"
- 0.060" for sizes 8" and up

Measured from a true square line.

For metric size pipe, the maximum allowable tolerance from square cut ends are:

- 0.75mm for sizes 25 – 80mm
- 1.15mm for sizes 100 – 150mm
- 1.50mm for sizes 200mm and up

Measured from a true square line.

### C - Groove Diameter

The groove must be of uniform depth around the entire pipe circumference (See D - Groove Depth).

### D - Groove Depth

For reference only. Groove must conform to C - Groove Diameter.

### T - Minimum Allowable Wall Thickness

Minimum allowable wall thickness which may be cut or roll grooved.

### Maximum Flare Diameter

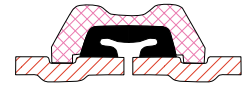
Maximum allowable pipe end flare diameter. Measured at the most extreme pipe end diameter of the gasket seat area.

### NOTES:

1. Pipe grooved to the above specifications is for use with 65HP-ES couplings only.
2. Gasket seat (A) and groove width (B) must be smooth and free from scores, seams, chips, rust or scale which may interfere with proper coupling assembly.
3. Out of Roundness: Difference between maximum OD and minimum OD measured at 90° must not exceed total OD tolerance listed.
4. All tolerances not shown are to comply with latest ASME or ASTM specification applicable to material being used.

### Standard "C" Type – Fig. 65GCPE (EPDM), 65GCPN (Nitrile) 65GCPF (Fluoroelastomer)

Standard "C" Type gaskets are the most commonly used coupling gasket. When installed, they provide a seal over each grooved pipe end. As coupling housings are tightened, they form the gasket to the inside cavity of the coupling creating an additional seal. The pressure of the system increases the sealing action of the gasket against the pipe, providing a leak-tight seal. For use with COOPLOK™ 65LR, 65LF, 65SR & 65SF couplings. For COOPLOK™ 65HP Couplings, use 65GHPN (Nitrile with Double Orange Stripe) gaskets only.

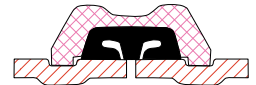


Available in Pre-Lubricated EPDM, Nitrile & Fluoroelastomer\*. Sizes: 1-1/4" to 24"  
 \*(Sizes: 1-1/4" to 12")

### Triple Seal – Fig. 65GTRI (EPDM)

Triple Seal gaskets are typically used in dry pipe fire protection systems, freezer applications and vacuum service. They differ from the "C" Type gasket in that they have an additional center sealing surface that sits over the pipe gap where the grooved pipe ends meet. As the coupling housing is tightened, the center seal closes off the pipe gap and provides the "triple seal". Sold as part of COOPLOK™ 65LRTRI coupling.

(NOTE: A petroleum-free silicone based lubricant is recommended for dry pipe systems.)



Available in EPDM only. Sizes: 1-1/4" to 8"

### End Shield™ – Fig. 65GCPNES (Nitrile)

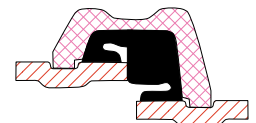
End Shield™ gaskets are specially designed for use with COOPLOK™ Grooved 65HP-ES high pressure rigid couplings in applications with lined pipe. They differ from the Triple Seal gasket in that the center rib is positioned in between the pipe ends. This results in a continuous lined surface and protects the pipe ends from corrosion and damage.



Available in Nitrile only. Sizes: 2", 3", 4" & 6"

### Reducing Coupling – Fig. 65GRCE (EPDM) & 65GRCN (Nitrile)

Reducing Coupling gaskets provide sealing surfaces for the two sizes of pipe they join, similar to the "C" Type gaskets. Coupling housings are tightened and the gasket seals each grooved pipe end. For use with COOPLOK™ 65RC coupling sizes only.

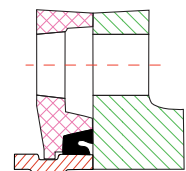


Available in EPDM & Nitrile. Sizes: 2" x 1-1/2" to 8" x 6"

### Flange Adapter – Fig. 65GFHE (EPDM) & Fig. 65GFHN (Nitrile)

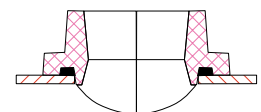
The Flange Adapter gasket provides a seal between the grooved end pipe and the flange surface it meets. Specifically designed for use with COOPLOK™ 65FH Hinged Flanged Adapter.

Available in EPDM & Nitrile. Sizes: 2" to 12"



### Mechanical Tee – Fig. 65GMT (EPDM) & Strap Tee – Fig. 65GMU (EPDM)

Mechanical Tee & Strap Tee gaskets are made to conform to the exterior surface of the pipe. When fittings are tightened, a compression-type seal is formed. For use with COOPLOK™ 65MT, 65MG & 65MU fittings.



Available in EPDM only. Sizes: 2" to 8" for 65MT & 65MG; 1-1/4" to 2-1/2" for 65MU

*Please see complete installation instructions at [www.smithcooper.com](http://www.smithcooper.com) for important guidelines and limitations on the use and applications of SCI COOPLOK™, Grooved Couplings and Fittings.*



## Gasket Selection Guidelines:

Smith-Cooper International carries a variety of gaskets for the COOPLOK™ Grooved product line. These gaskets are manufactured from different rubber compounds that will allow the use of COOPLOK™ Grooved products in a range of applications.

Each is uniquely identified with the SCI logo and figure number of the matching COOPLOK™ part, as required by Underwriters Laboratories.

Proper gasket selection is critical for specific intended service and/or application. Improper selection of rubber compound may result in joint failure or leakage, causing potential injury or damage.

## Gasket Storage:

- Gaskets need to be stored indoors, in a cool, dry place, not subjected to freezing conditions, in original SCI packaging.
- Basic instructions on storage, cleaning and preservations of elastomer sealing element are described in ISO 2230 and must be observed.
- Gaskets exposed to light, heat, moisture, oils, solvents, oxygen and ozone may impair gasket performance. Exposure to these elements can degrade the elastomer which may cause softening, cracking, deformation, hardening and possible breakage if stored in an inappropriate manner.

Refer to the Chemical Services Chart on Pages 44-46 for information about gasket compatibility with a wide range of media.

## Standard Gaskets

Grade	Temp. Range	Compound	Color Code	General Service Applications
E	-30°F to +230°F (-34°C to 110°C)	Pre-Lubricated EPDM	Green Stripe	Water, dilute acids, alkalis, salts, and many chemical services not involving hydrocarbons, oils, or gases. Excellent oxidation resistance. <b>NOT FOR USE WITH HYDROCARBONS, LUBRICANTS OR OILS</b>
T	-20°F to +180°F (-29°C to 82°C)	Nitrile (Buna-N)	Orange Stripe	Petroleum products, vegetable oils, mineral oils and air contaminated with petroleum oils. <b>NOT FOR USE IN HOT WATER SERVICES.</b>
O	+20°F to +300°F (-6°C to 149°C)	Fluoroelastomer	Blue Stripe	High temperature resistance to oxidizing acids, petroleum oils, hydraulic fluids, halogenated hydrocarbons, and lubricants.

## Gasket Grades – Common Applications

Water and Air Service	Gasket Grade
Air, (no oil vapors) Temp. -40°F to 230°F (-40° to 110°C)	E
Air, Oil vapor Temp. -20°F to 150°F (-29°C to 66°C)	T
Air, Oil vapor Temp. 20°F to 300°F (-7°C to 149°C)	O
Water, Temp. to 150°F (66°C)	E/T*
Water, Temp. to 230°F (110°C)	E
Water, Acid Mine	E/T*
Water, Chlorine	E/O*
Water, Deionized	E/T*
Water, Seawater	E/T*
Water, Waste	E/T*
Water, Lime	E/T*

Petroleum Products Service	Gasket Grade
Crude Oil - Sour	T
Diesel Oil	T
Fuel Oil	T
Gasoline, Leaded	T
Gasoline, Unleaded	O
Hydraulic Oil	T
JP-3, JP-4, and JP-5	T/O*
JP-6, 100°F (38°C) Maximum Temp.	T
Kerosene	T
Lube Oil, to 150°F (66°C)	T
Motor Oil	T
Tar and Tar Oil	T
Transmission Fluid - Type A	O
Turbo Oil #15 Diester Lubricant	O

\*Where more than one gasket grade is shown the preferred gasket grade is listed first.

Chemical Composition	Gasket Grade
Acetaldehyde	E
Acetamide	T
Acetic Acid up to 50%	NR
Acetic Acid, Glacial	NR
Acetic Anhydride	E
Acetone	E
Acetonitrile	T
Acetophenone	E
Acetylene	E/T
Acrylonitrile	NR
Adipic Acid	T
Air, oil free	E
Air with vaped oil	T
Alkalis	E
Allyl Alcohol to 96%	E
Allyl Chloride	NR
Aluminum Chloride	E/T
Aluminum Fluoride	E/T/O
Aluminum Hydroxide	E/O
Aluminum Nitrate	E/T
Aluminum Phosphate	E
Aluminum Salts	E
Aluminum Sulfate	E/T
Alums	E/T
Ammonia Anhydrous (Pure Ammonia)	NR
Ammonia, Gas, Cold	E
Ammonia, Aqua, 10 - 25%	E
Ammonium Bifluoride	T
Ammonium Carbonate	E
Ammonium Chloride	E/T
Ammonium Fluoride,	E
Ammonium Hydroxide	E
Ammonia Liquid	E
Ammonium Metaphosphate	E
Ammonium Nitrate	E/T
Ammonium Nitrite	E
Ammonium Persulfate, to 10%	E
Ammonium Phosphate	T
Ammonium Sulfamate	T
Ammonium Sulfate	E/T
Ammonium Sulfide	E
Ammonium Thiocyanate	E
Amyl Acetate	E
Amyl Alcohol	E
Amyl Chloride	NR
Anderol	O
Aniline	E
Aniline Oil	E
Anthraquinone	NR
Anthraquinone Sulfonic Acid	NR
Antimony Chloride	E
Antimony Trichloride	E
Argon Gas	E/O
Aroclors	O
Arsenic Acid, to 75%	T/O
Arylsulfonic Acid	NR
ASTM #1, 2 & 3 Oil	T
Barium Carbonate	E
Barium Chloride	E/T
Barium Hydroxide	E/T

Chemical Composition	Gasket Grade
Barium Sulfide	T
Benzene	O
Benzol	O
Benzyl Alcohol	E
Benzyl Benzoate	E
Benzyl Chloride	E
Black Sulfate Liquor	T
Bleach, 12% Active Cl <sub>2</sub>	E
Borax	E/O
Bordeaux Mixture	E
Boric Acid	E/T
Bromine	O
Bromotoluene	NR
Butanol (see Butyl Alcohol)	E/T
Butyl Acetyl Ricinoleate	E
Butyl Alcohol	E/T
Butyl Stearate	T
Butylene	T/O
Butylene Glycol	E
Butyne Diol	NR
Calcium Bisulfate	T/O
Calcium Bisulfide	T/O
Calcium Bisulfite	T
Calcium Carbonate	E/T
Calcium Chlorate	E/T
Calcium Chloride	E/T
Calcium Hydroxide (Lime)	E/T
Calcium Hypochlorite	E
Calcium Hypochloride	E
Calcium Nitrate	E/T
Calcium Sulfate	E/T
Calcium Sulfide	E/T
Caliche Liquors	T
Carbitol *	E/T
Carbon Dioxide, Dry	E/T
Carbon Dioxide, Wet	E/T
Carbon Disulphide	O
Carbon Monoxide	E
Carbon Tetrachloride	O
Carbonic Acid, Phenol	O
Caster Oil	T
Caustic Potash	E
Cellosolve	E
Cellulose Acetate	E
Cellulube 220 (Tri-Aryl-Phosphate)	E
Cellulube Hydraulic Fluids	E
China Wood Oil, Tung Oil	T
Chloralhydrate	NR
Chloroacetone	E
Chlorobenzene	O
Chlorobromomethane	NR
Chloroform	O
Chlorosulphonic Acid	NR
Chrome Alum	E/T
Chromic Acid, to 10%	O
Chromic Acid, to 25%	O
Chrome Plating Solutions	O
Citric Acid, Saturated	E
Coke Oven Gas	T/O
Copper Carbonate	E/T

Chemical Composition	Gasket Grade
Copper Chloride	E/T
Copper Cyanide	E/T
Copper Fluoride	E
Copper Nitrate	E/T
Copper Sulfate	E/T
Cresole, Cresylic Acid	O
Creosote, Coal Tar	T/O
Creosote, Wood	T/O
Cupric Fluoride	E/T
Cupric Sulfate	E/T
Cyclohexane Alcylic (Hydrocarbon)	O
Cyclohexanol	O
Dextrin	T
Dibutyl Phthalate	E
Dichloro Difloro Methane	T
Diesel Oil	T
Diethyl Sebacate	E
Diethylamine	T
Diethylene Glycol	E/T
Digester Gas	T
Dimethylamine	T
Diocyl Phthalate	E
Dioxane	E
Dipropylene Glycol	T
Dowtherm A	O
Dowtherm E	O
Dowtherm SR-1	T/E
Ethanolamine	E
Ethers	NR
Ethyl Acetoacetate	E
Ethyl Acrylate	NR
Ethyl Alcohol (Ethanol)	E
Ethyl Chloride	E/T
Ethyl Ether	T
Ethyl Oxalate	E
Ethyl Silicate	T
Ethylene Chlorohydrin	E
Ethylene Diamine	E/T
Ethylene Dichloride (Dichloroethane)	O
Ethylene Glycol	E/T
Ethylene Oxide	NR
Ferric Chloride, to 35%	E/T/O
Ferric Chloride, Saturated	NR
Ferrous Sulfate	T
Fluboric Acid	E
Fluorine Gas, Wet	NR
Fly Ash	E
FM200	E
Foam	E
Formaldehyde	E/T
Formanide	T
Formic Acid, to 25%	E
Freon 11, 130°F (54°C) Max.	T
Freon 12, 130°F (54°C) Max.	T
Freon F-12	T
Freon 123	NR
Freon 134a, 176°(80°C)	E/T
Freon F-21	NR
Freon 113 130°F/54°C	T
Freon 114,130°F/54°C	T





# Chemical Services

Chemical Composition	Gasket Grade
Fructose	T
Fuel Oil	T
Fumaric Acid	E
Furan	NR
Furfuryl Alcohol	E
Gallic Acid	NR
Gasoline, Refined	T
Gasoline, Unleaded	O
Glue	T
Glycerine	E/T
Glycerol	E/T
Glycol	E/T
Grease	T/O
Green Sulfate Liquor	T
Halon 1301	E
Heptane	T
Hexaldehyde	E
Hexane	T
Hexanol	T
Hexanol Tertiary	T
Hexyl Alcohol	T
Hexylene Glycol	T
Hydrobromic Acid, to 40%	E
Hydrochloric Acid, to 36%, 75°F (24°C) – Max.	E
Hydrocyanic Acid, to 10%	E
Hydrofluoric Acid, to 30%	O
Hydrofluosilicic Acid, to 50%	T
Hydrogen Phosphide	NR
Hydrogen Sulfide.	E
Hydroquinone	T/O
Hypochlorous Acid, Dilute	E
Isobutyl Alcohol	E
Iso Octane, 100°F/38°C	T
Isopropyl Acetate	E
Isopropyl Alcohol	E
Jet Fuel, JP-4	T/O
Jet Fuel, JP-5	T/O
Kerosene	T
Latex (1% Styrene & Butadiene)	O
Lauric Acid	T
Lauryl Chloride	NR
Lavender Oil	T
Lead Acetate	E/T
Lead Sulfate	T
Lime and H <sup>2</sup> O	E/T
Lime Sulfur	O
Linoleic Acid	O
Lithium Bromide (Brine)	T/O
Lithium Chloride	T/O
Lubricating Oil, Refined	T
Lubricating Oil, Sour	T
Lubricating Oil, to 150°F/66°C	T
Magnesium Chloride	E/T
Magnesium Hydroxide	E/T
Magnesium Nitrate	E
Magnesium Sulfate	E/T
Maleic Acid, Saturated	T
Malic Acid	T
Mercuric Chloride	E/T

Chemical Composition	Gasket Grade
Mercuric Cyanide	E/T
Mercurous Nitrate	E/T
Mercury	E/T
Methane	T
Methyl Alcohol, Methanol	E/T
Methyl Isobutyl Ketone	NR
Methyl Isobutyl Carbinol	E
Methylene Chlorobromide	NR
Methylene Dichloride	O
MIL-05606	O
MIL-08515	O
MIL-L7808	O
Mineral Oils	T
Naphta	O
Naphtalene	NR
Nickel Chloride	E/T
Nickel Plating Solution, 125°F (52°C) – Max.	E
Nitric Acid, to 10%, 75°F (24°C) – Max.	E
Nitric Acid, 10%-50%, 75°F (24°C) – Max.	O
Nitrogen	E
Nitromethane	E
Nitrous Oxide	E
Ogisogenic Acid, to 75%	O
Oil, Crude Sour	T
Oil, Motor	T
Oleic Acid	T
Olive Oil	T
Oronite 8200 Silicate Ester Fluid	O
Orthodichlorobenzene	O
OS-45 Silicate Ester Fluid	O
OS-45-1	O
Oxalic Acid	E
Ozone (100 ppm)	E
Palm Oil	T
Perchloric Acid	NR
Perchloroethylene	O
Petroleum Ether (see Benzene)	O
Petroleum Oils	T
Phenol (Carbolic Acid)	O
Phosphoric Acid, to 50%, 70°F (21°C) – Max.	E
Phosphoric Acid, to 85%, 150°F (66°C) – Max.	O
Phosphate Ester	E
Photographic Solutions	T
Phthalic Anhydride (gold, brass cadmium, copper, lead, silver, tin, zinc)	E
Polybutene	T
Polyvinyl Acetate, Solid in Liquid State is 50% solution of Methanol or 60% solution of (H <sup>2</sup> O)	E
Potash	E
Potassium Alum	E/T
Potassium Aluminum Sulfate	E/T
Potassium Bicarbonate	E/T
Potassium Bichromate	E/T
Potassium Borate	E

Chemical Composition	Gasket Grade
Potassium Bromate	E
Potassium Bromide	E/T
Potassium Carbonate	E/T
Potassium Chlorate	E
Potassium Chloride	T
Potassium Chromate	T
Potassium Cyanide	E/T
Potassium Dichromate	E
Potassium Ferrocyanide	E
Potassium Fluoride	E
Potassium Hydroxide	T
Potassium Nitrate	E/T
Potassium Perborate	E
Potassium Perchlorate	T
Potassium Permanganate, to 10%	E
Potassium Permanganate, to 25%	E
Potassium Persulfate	T
Potassium Silicate	E/T
Potassium Sulfate	E/T
Prestone	T
Propane Gas	T
Propanol	E
Propargyl Alcohol	E
Propyl Alcohol	E/T
Propylene Dichloride	L
Propylene Glycol	E
Pydraul F-9 and F-150	NR
Pyroguard "C"	T
Pyroguard "D"	T
Pyroguard 55	E
Pyrrrole	E
Ref. Fuel (ISO Octane, 30 Toluene)	T
Rosin Oil	T
Salicylic Acid	E
Secondary Butyl Alcohol	T
Sewage	E/T
Silver Nitrate	E
Silver Sulfate	E
Skydrol 200oF (93oC)-Max.	NR
Soap Solutions	E/T
Soda Ash, Sodium Carbonate	E/T
Sodium Acetate	E
Sodium Alum	T
Sodium Benzoate	E/T
Sodium Bicarbonate	E/T
Sodium Bisulfate	E/T
Sodium Bisulfite (Black Liquor)	E/T
Sodium Bromide	E/T
Sodium Carbonate	E/T
Sodium Chlorate	E
Sodium Chloride	E/T
Sodium Cyanide	E/T
Sodium Dichromate, to 20%	E/T
Sodium Ferricyanide	E/T
Sodium Ferrocyanide	E/T
Sodium Fluoride	E/T
Sodium Hydroxide, to 15%	E
Sodium Hydroxide, to 50%	E
Sodium Hypochlorite, to 20%	E
Sodium Metaphosphate	E/T



Chemical Composition	Gasket Grade
Sodium Nitrite	E/T
Sodium Nitrate	E
Sodium Perborate	E
Sodium Peroxide	E
Sodium Phosphate, Neutral	T
Sodium Silicate	T
Sodium Sulfate	E/T
Sodium Sulfide	E/T
Sodium Suplhite Solution, to 20%	T
Sodium Thiosulfate "Hypo"	T
Sohovis 47	T
Sohovis 78	T
Solvasol #1,2 & 3	T
Solvasol #73	T
Solvasol #74	NR
Spindle Oil	T
Stannic Chloride	T
Stannous Chloride, to 15%	T
Starch	E/T
Steam	NR
Stearic Acid	T
Stoddard Solvent	T
Styrene	O
Sulfur	E
Sulfur Chloride	O

Chemical Composition	Gasket Grade
Sulfur Dioxide, Dry	E
Sulfur Dioxide, Wet	E
Sulfuric Acid, to 25%, 150°F (66°C) – Max.	E
Sulfuric Acid, to 25-50%, 200°F (93°C) – Max.	O
Sulfuric Acid, to 50-95%, 150°F (66°C) – Max.	O
Sulfurous Acid	O
Tall Oil	T
Tanning Liquors( 50g. alum. Solution, 50g. dichromate solution)	T
Tartaric Acid	
Tertiary Butyl Alcohol	E/T
Tetrachloroethylene	O
Tetrahydrofuran	NR
Tetralin	NR
Thiopene	NR
Titanium Tetrachloride	O
Toluene, to 30%	T
Transmission Fluid, Type A	O
Triacetin	T
Trichloroethane	O
Trichloroethylene	O
Triethanolamine	E/T

Chemical Composition	Gasket Grade
Trisodium Phosphate	E
Tung Oil	T
Turbo Oil #15 Diester Lubricant	O
Turpentine	T
Urea	T/E
Vinyl Acetate	E
Vinyl Chloride	O
Vi-Pex	T
Water, to 150°F/66°C	E/T
Water, to 200°F/93°C	E
Water, to 230°F/110°C	E
Water, to 250°F/120°C	E
Water, Acid Mine	E/T
Water, Bromine	O
Water, Chlorinated, to 3500ppm	E
Water, Deionized	E
Water, Potable	E
Water, Seawater	E
Water, waste	E/T
White Liquor	E
Wood Oil	T
Zinc Chloride, to 50%	E
Zinc Nitrate	E
Zinc Sulfate	E/T

**Notes:**

- Recommended gasket grades shown are from information supplied by manufacturers of elastomers and rubber compounds, as well as technical and industry publications.
- This information is presented for evaluation purposes and does not constitute a guarantee for specific service conditions.
- When more than one gasket grade is shown, the preferred gasket grade is listed first.
- Unless otherwise noted, all gasket listings are based upon 100°F (38°C) maximum temperature service conditions
- NR = Not Recommend



# Replacement Gaskets

## Grooved Coupling Gaskets

Size in	Part Number					
	"C" Type				Triple Seal	End Shield™
	E-EPDM	T-Nitrile	HP T-Nitrile	O-Fluoroelastomer	E-EPDM	T-Nitrile
1	65GCPE010	65GCPN010	-	65GCPF010	-	-
1-1/4	65GCPE012	65GCPN012	-	65GCPF012	65GTRI012	-
1-1/2	65GCPE014	65GCPN014	-	65GCPF014	65GTRI014	-
2	65GCPE020	65GCPN020	65GHPN020	65GCPF020	65GTRI020	65GES020
2-1/2	65GCPE024	65GCPN024	-	65GCPF024	65GTRI024	-
3	65GCPE030	65GCPN030	65GHPN030	65GCPF030	65GTRI030	65GES030
4	65GCPE040	65GCPN040	65GHPN040	65GCPF040	65GTRI040	65GES040
5	65GCPE050	65GCPN050	-	65GCPF050	65GTRI050	-
6	65GCPE060	65GCPN060	65GHPN060	65GCPF060	65GTRI060	65GES060
8	65GCPE080	65GCPN080	-	65GCPF080	65GTRI080	-
10	65GCPE100	65GCPN100	-	65GCPF100	-	-
12	65GCPE120	65GCPN120	-	65GCPF120	-	-
14	65GCPE140	65GCPN140	-	-	-	-
16	65GCPE160	65GCPN160	-	-	-	-
18	65GCPE180	65GCPN180	-	-	-	-
20	65GCPE200	65GCPN200	-	-	-	-
24	65GCPE240	65GCPN240	-	-	-	-

## Reducing Coupling Gaskets

Size in	Part Number	
	E-EPDM	T-Nitrile
2 x 1-1/2	65GRCE020014	65GRCN020014
2-1/2 x 2	65GRCE024020	65GRCN024020
3 x 2	65GRCE030020	65GRCN030020
3 x 2-1/2	65GRCE030024	65GRCN030024
4 x 2	65GRCE040020	65GRCN040020
4 x 2-1/2	65GRCE040024	65GRCN040024
4 x 3	65GRCE040030	65GRCN040030
6 x 4	65GRCE060040	65GRCN060040
8 x 6	65GRCE080060	65GRCN080060

## Hinged Flange Adapter Gaskets

Size in	Part Number	
	E-EPDM	T-Nitrile
2	65GFHE020	65GFHN020
2-1/2	65GFHE024	65GFHN024
3	65GFHE030	65GFHN030
4	65GFHE040	65GFHN040
5	65GFHE050	65GFHN050
6	65GFHE060	65GFHN060
8	65GFHE080	65GFHN080
10	65GFHE100	65GFHN100
12	65GFHE120	65GFHN120

## Strap Tee Gaskets

Size Run x Branch in	Part Number E-EPDM
1-1/4 x 1/2	All Sizes Use 65GMU012024
1-1/4 x 3/4	
1-1/4 x 1	
1-1/2 x 1/2	
1-1/2 x 3/4	
1-1/2 x 1	
2 x 1/2	
2 x 3/4	
2 x 1	
2-1/2 x 1/2	
2-1/2 x 3/4	
2-1/2 x 1	

## Mechanical Tee Gaskets

Size Run x Branch in	Part Number E-EPDM
2 x 1/2	65GMT020004
2 x 3/4	65GMT020006
2 x 1	65GMT020010
2 x 1-1/4	65GMT020012
2 x 1-1/2	65GMT020014
2-1/2 x 1/2	65GMT024004
2-1/2 x 3/4	65GMT024006
2-1/2 x 1	65GMT024010
2-1/2 x 1-1/4	65GMT024012
2-1/2 x 1-1/2	65GMT024014
3 x 1	65GMT030010
3 x 1-1/4	65GMT030012
3 x 1-1/2	65GMT030014
3 x 2	65GMT030020
4 x 1	65GMT040010
4 x 1-1/4	65GMT040012
4 x 1-1/2	65GMT040014
4 x 2	65GMT040020
4 x 2-1/2	65GMT040024
4 x 3	65GMT040030
5 x 1-1/4	65GMT050012
5 x 1-1/2	65GMT050014
5 x 2	65GMT050020
5 x 2-1/2	65GMT050024
5 x 3	65GMT050030
6 x 1-1/4	65GMT060012
6 x 1-1/2	65GMT060014
6 x 2	65GMT060020
6 x 2-1/2	65GMT060024
6 x 3	65GMT060030
6 x 4	65GMT060040
8 x 2	65GMT080020
8 x 2-1/2	65GMT080024
8 x 3	65GMT080030
8 x 4	65GMT080040



## Grooved Coupling Track Bolts & Hex Nuts

Size in	Standard Flexible	Standard Rigid	Lightweight Flexible	Lightweight Rigid	High Pressure	
	65SF & 66SF	65SR & 66SR	65LF & 66LF	65LR & 66LR	65HP	65HP-ES
1	3/8 x 2	3/8 x 2	-	-	-	-
1-1/4	1/2 x 2-3/4	3/8 x 2	3/8 x 2	3/8 x 2	-	-
1-1/2	1/2 x 2-3/4	3/8 x 2	3/8 x 2	3/8 x 2	-	-
2	1/2 x 2-3/4	3/8 x 2-1/2	3/8 x 2-1/2	3/8 x 2-1/2	5/8 x 3	5/8 x 3
2-1/2	1/2 x 3	1/2 x 3	3/8 x 2-1/2	3/8 x 2-3/4	-	-
3	1/2 x 3	1/2 x 3	3/8 x 2-1/2	3/8 x 2-3/4	5/8 x 3	5/8 x 3-1/2
4	5/8 x 3-1/2	1/2 x 3	1/2 x 3-1/4	3/8 x 2-3/4	3/4 x 4	3/4 x 4-1/4
5	3/4 x 4-1/2	5/8 x 4	5/8 x 4	1/2 x 3-1/4	-	-
6	3/4 x 4-1/2	5/8 x 4	5/8 x 4	1/2 x 3-1/4	7/8 x 5-1/4	7/8 x 6
8	7/8 x 5-1/4	3/4 x 5-1/4	3/4 x 4-1/2	5/8 x 4-3/4	-	-
10	1 x 6	7/8 x 6	-	-	-	-
12	1 x 6	7/8 x 6	-	-	-	-
14	1 x 5-1/2 (4-pc)	7/8 x 5-1/4 (3-pc)	-	-	-	-
16	1 x 5-1/2 (4-pc)	7/8 x 5-1/4 (3-pc)	-	-	-	-
18	1-1/8 x 6 (4-pc)	7/8 x 5-1/4 (3-pc)	-	-	-	-
20	1-1/8 x 6 (4-pc)	1 x 5-1/4 (4-pc)	-	-	-	-
24	1-1/8 x 6 (6-pc)	1 x 5-1/4 (4-pc)	-	-	-	-

**NOTE:** Couplings are 2 pieces unless noted.

## Reducing Coupling Track Bolts & Hex Nuts

Size in	Bolt Size
2 x 1-1/2	3/8 x 2
2-1/2 x 2	3/8 x 2-3/4
3 x 2	1/2 x 2-3/4
3 x 2-1/2	1/2 x 2-3/4
4 x 2	1/2 x 3-1/4
4 x 2-1/2	1/2 x 3-1/4
4 x 3	1/2 x 3-1/4
6 x 4	5/8 x 4
8 x 6	3/4 x 4-1/2

## Hinged Flange Adapter Latch Bolts

Size in	Bolt Size
2 - 12	All Sizes Use 3/8 x 2-3/4

**NOTE:** SCI does not supply flange bolts or nuts.

## Bolt & Hex Nut Part Number Reference

Size in	Part Number
3/8 x 2	65NB003020
3/8 x 2-1/2	65NB003024
3/8 x 2-3/4	65NB003026
1/2 x 2-3/4	65NB004026
1/2 x 3	65NB004030
1/2 x 3-1/4	65NB004032
1/2 x 3-3/4	65NB004036
5/8 x 3-1/2	65NB005034
5/8 x 4	65NB005040
5/8 x 4-3/4	65NB005046
3/4 x 4-1/2	65NB006044
3/4 x 5-1/4	65NB006052
7/8 x 5-1/4	65NB007052
7/8 x 6	65NB007060
1 x 5-1/4	65NB010052
1 x 6	65NB010060
1-1/8 x 6	65NB011060

## Mechanical Tee Track Bolts & Hex Nuts

Size Run x Branch in	Bolt Size
2 x 1/2	3/8 x 2-1/2
2 x 3/4	3/8 x 2-1/2
2 x 1	3/8 x 2-1/2
2 x 1-1/4	3/8 x 2-1/2
2 x 1-1/2	3/8 x 2-1/2
2-1/2 x 1/2	1/2 x 3
2-1/2 x 3/4	1/2 x 3
2-1/2 x 1	1/2 x 3
2-1/2 x 1-1/4	1/2 x 3
2-1/2 x 1-1/2	1/2 x 3
3 x 1	1/2 x 3
3 x 1-1/4	1/2 x 3
3 x 1-1/2	1/2 x 3
3 x 2	1/2 x 3
4 x 1	1/2 x 3
4 x 1-1/4	1/2 x 3
4 x 1-1/2	1/2 x 3
4 x 2	1/2 x 3
4 x 2-1/2	1/2 x 3
4 x 3	1/2 x 3
5 x 1-1/4	1/2 x 3-3/4
5 x 1-1/2	1/2 x 3-3/4
5 x 2	5/8 x 4
5 x 2-1/2	5/8 x 4
5 x 3	5/8 x 4
6 x 1-1/4	1/2 x 3-3/4
6 x 1-1/2	1/2 x 3-3/4
6 x 2	5/8 x 4
6 x 2-1/2	5/8 x 4
6 x 3	5/8 x 4
6 x 4	5/8 x 4
8 x 2	5/8 x 4
8 x 2-1/2	5/8 x 4
8 x 3	5/8 x 4
8 x 4	5/8 x 4

**NOTE:** Bolts and nuts are non-returnable.



## MasterSpec® for COOPLOK™ Grooved

COOPLOK™ Grooved Fittings and Couplings are now listed in the following sections of MasterSpec, the leading specification service for architects and engineers in the United States.



- 211100 Facility Fire-Suppression Water-Service Piping
- 211200 Fire Suppression Standpipes
- 211313 Wet-Pipe Sprinkler Systems
- 211316 Dry-Pipe Sprinkler Systems
- 212200 Clean-Agent Fire Extinguishing Systems
- 221113 Facility Water Distribution Piping
- 221116 Domestic Water Piping
- 221316 Sanitary Waste and Vent Piping
- 221413 Facility Storm Drainage Piping
- 232113 Hydronic Piping

Sections 21120, 211313, 211316 and 232113 have "enhanced" listings in MasterSpec. Additional information is available on the specification screen for each section that includes product details and links to the Smith-Cooper website.

## UL Listed / FM Approved Sprinkler Pipe

SCI COOPLOK™ Grooved Couplings are UL Listed and FM Approved for use on the following types of sprinkler pipe:\*



Pipe Name	Manufacturer
Dyna-Thread®, Central-Thread®, XL®, XL-II®, Dyna-Flow®, Super 40®, Super-Flo®, TL®, Central 7®, BLT®	Allied Tube and Conduit Corp.
Eddylite®, Eddy Flow®, Eddy Thread 40®	Bull Moose Tube Co.
Gal-7®	IDOD Systems Co.
EZ-Flow®	Northwest Pipe & Casing Co.
WLS®, Mega-Flow®, Mega-Thread®, MLT®, GL®	Wheatland Tube Company
Steady Flow®, Steady Thread®	Welded Tube Corp.
Fire-Flo®, EZ-Thread®	Youngstown Tube Co.
Tex-Flow®	Tex-Tube International
SPSF®	Yieh Phui Enterprise Co. Ltd.

**\*NOTE:** Includes any manufacturer of Schedule 10 or Schedule 40 steel pipe. Check [www.smithcooper.com](http://www.smithcooper.com) for updated list of UL Listed/FM Approved sprinkler pipe manufacturers.





**Pricing:** Orders shall be subject to approval and acceptance by Smith-Cooper International (SCI). All pricing, terms, and conditions contained in any of SCI's price sheets are subject to change without notice. The company may, at its discretion, discontinue, modify, or otherwise change any product listed in its price sheets without prior notice. Offer to sell is not implied by possession of SCI's catalogs or price sheets. A service charge of 1-1/2% per month will be added to any past due balance.

**Freight Terms:** SCI's product offering is divided into different freight categories. All items in the same category can be combined to achieve freight prepaid. Once prepaid status is achieved in any product category, material from other categories can be added and the entire order will ship prepaid. Please refer to the SCI website for the current Freight Policy. SCI reserves the right to specify freight terms on specially quoted, net priced orders. On prepaid orders, the choice of shipper will be at SCI's discretion.

**Shortages:** Claims for any shortages must be filed within 10 business days of the shipping date.

**Damages:** Claims for damaged products or lost in transit should be directed to the appropriate carrier by the consignee. SCI's responsibility ceases and title passes on delivery to the carrier.

**Returns:** Returns of material are not allowed without prior, written authorization from SCI. A copy of the RGA Authorization must accompany any material return. Goods which are returned for any other reason than a defect must be in original unbroken cartons, unless originally sold loose, and will be subject to inspection to ensure the items are in "resaleable" condition.

**Special Order/  
Fabricated Items:** Special Order and/or Fabricated Items are non-returnable. Please refer to the SCI website for Material Return Policy.

## Warranty and Limitations of Liability

As used herein, "Supplier" shall mean SMITH-COOPER INTERNATIONAL, INC. or any of its affiliates (for clarity, as used herein, Supplier shall only refer to such entity which actually sold the product being warranted to the initial purchaser). Supplier warrants to its initial purchaser only, that the products which are delivered to this initial purchaser will be of the kind described in the order or price list and will be delivered free of defects in workmanship or material.

Should any failure to conform to this warranty be discovered within the Warranty Period (defined below) and written notice of such nonconformity is provided to Supplier promptly after such discovery and within the Warranty Period, upon return of the defective product to Supplier in accordance with the Supplier's instructions and the reasonable determination by Supplier that the product (a) does not conform to the warranty and (b) has been stored, installed, used, maintained and operated in accordance with recognized engineering and piping practices, industry standards and the installation and operating manuals supplied by Supplier, Supplier will correct such defects by suitable repair or replacement of the product at Supplier's own expense or refund the portion of the price applicable to the nonconforming portion of the product (which alternative shall be at the sole discretion of Supplier). If any portion of the product so repaired or replaced fails to conform to the foregoing warranty, and written notice of such nonconformity is provided to Supplier promptly after discovery and within the original Warranty Period applicable to such product or 30 days from completion of such repair or replacement, whichever is later, Supplier will repair or replace such nonconforming product. The original Warranty Period shall not otherwise be extended.

The "Warranty Period" shall mean a period of five years from the date of delivery to its initial purchaser; provided however, with respect to Sharpe® Valves products, the "Warranty Period" shall mean a period that is the shorter of (i) twenty-four (24) months from the date of delivery to its initial purchaser or (ii) twelve (12) months after installation. In the event that Supplier elects to replace or repair the defective product, Supplier shall pay up to \$50 per defective product for total cost of installation, in addition to repairing or replacing such product in accordance with the terms contained herein. In the event of multiple claims, such payment shall be no greater than \$1,000 for each installation project. Except as set forth in the foregoing sentence, Supplier shall not be responsible for the cost of providing working access to the nonconforming products, including disassembly and re-assembly of non-Supplier supplied equipment, or for transportation to or from any repair facility, all of which shall be at the initial purchaser's risk and expense.

This warranty applies only during normal, intended and proper use that meets the above referenced conditions of storage, installation, usage, maintenance and operation and is absolutely void if the product has been damaged after purchase, or if it has been repaired (except if such repair was expressly authorized by Supplier and performed by Supplier), misused, altered or modified in any manner whatsoever. Without limiting the generality of the foregoing, this warranty is void if any portion of the product, including without limitation, any component, gasket, housing or bolt, has been misused, modified, altered, repaired (except if such repair was expressly authorized by Supplier and performed by Supplier), remanufactured or replaced (except if such replacement was expressly authorized by Supplier) in any manner by the initial purchaser, customer, user of the product or third party. COOPLOK™ Grooved products must be used with Smith Cooper International (SCI) branded bolts, gaskets and housings for this warranty to be valid. Rubber gaskets for Smith Cooper International (SCI) Grooved products must be stored or installed in an environment which preserves their elasticity for full functionality for the warranty to be valid. Supplier does not warrant or cover damages arising from a disaster such as a fire, flood, wind, earthquake, or lightning. The warranty set forth herein also does not cover normal and customary wear and tear. The limitations contained herein on the validity of the warranty shall govern not only the express warranty made by the Supplier herein, but also any other warranty which, contrary to the terms herein, is deemed or implied by law to be in effect. Products supplied by Supplier but manufactured by others are warranted only to the extent of the manufacturer's warranty, and only the remedies, if any, provided by the manufacturer will be allowed.

No returns will be allowed unless prior written permission of Supplier is first obtained. Purchasers shall be responsible for all costs of transportation as well as restocking charge. All causes of action against Supplier arising out of or relating to this warranty or the performance or breach hereof shall expire unless brought within one year of the time of accrual thereof.

**THIS WARRANTY IS EXCLUSIVELY FOR THE BENEFIT OF THE INITIAL PURCHASER OF THIS PRODUCT FROM SUPPLIER, AND, EXCEPT TO THE EXTENT PROHIBITED BY APPLICABLE LAW, THE FOREGOING WARRANTY IS IN LIEU OF, AND SUPPLIER DOES NOT MAKE, AND EXPRESSLY DISCLAIMS, ALL OTHER WARRANTIES, EXPRESS OR IMPLIED, WRITTEN OR ORAL, ARISING FROM COURSE OF DEALING, COURSE OF PERFORMANCE, USAGE OF TRADE, LAW, OR OTHERWISE, INCLUDING BUT NOT LIMITED TO, WARRANTIES OF MERCHANTABILITY OR FITNESS FOR A PARTICULAR PURPOSE. THE REMEDIES STATED HEREIN CONSTITUTE PURCHASER'S EXCLUSIVE REMEDIES AND SUPPLIER'S ENTIRE LIABILITY FOR ANY BREACH OF WARRANTY.**

**LIMITATIONS OF LIABILITY: NOTWITHSTANDING ANYTHING HEREIN TO THE CONTRARY, IN NO EVENT SHALL SUPPLIER BE LIABLE TO ITS INITIAL PURCHASER OR ANYONE ELSE FOR ANY SPECIAL, PUNITIVE, INDIRECT, INCIDENTAL OR CONSEQUENTIAL DAMAGES, INCLUDING, BUT NOT LIMITED TO, LOSS OF PROFITS OR REVENUE, LOSS OF USE OF THE PRODUCTS OR ANY ASSOCIATED EQUIPMENT, COST OF CAPITAL, COST OF SUBSTITUTE PRODUCTS, FACILITIES OR SERVICES, DOWNTIME COSTS, DELAYS, AND CLAIMS OF CUSTOMERS OF THE INITIAL PURCHASER OR OTHER THIRD PARTIES FOR ANY DAMAGES, EVEN IF SUPPLIER HAS BEEN ADVISED OF THE POSSIBILITY OR LIKELIHOOD OF SUCH DAMAGES. IN NO EVENT, REGARDLESS OF CAUSE, SHALL SUPPLIER BE LIABLE FOR PENALTIES OR PENALTY CLAUSES OF ANY DESCRIPTION OR FOR INDEMNIFICATION OF INITIAL PURCHASER OR OTHERS FOR COSTS, DAMAGES, OR EXPENSES ARISING OUT OF OR RELATED TO THE PRODUCTS.**

No warranty of any kind, whether express or implied shall pass through our initial purchaser to any other person, organization, entity or the like. Except as expressly provided herein, in no event shall any liability or responsibility of Supplier which may arise in any circumstances whatsoever exceed the price to the initial purchaser of the Supplier's product on which such liability is based.

**Disclaimer:** Supplier shall not be liable or responsible for omissions or errors in its catalog. Please refer to [www.smithcooper.com](http://www.smithcooper.com) for current information.

## ***Industrial PVF***

Malleable Iron  
Cast Iron  
Ductile Iron  
Bronze Fittings  
Flanged Fittings  
Forged Steel Fittings  
Merchant Steel  
COOPLET<sup>®</sup>  
Nipples  
Swage Nipples  
Lead Free

## ***Valves***

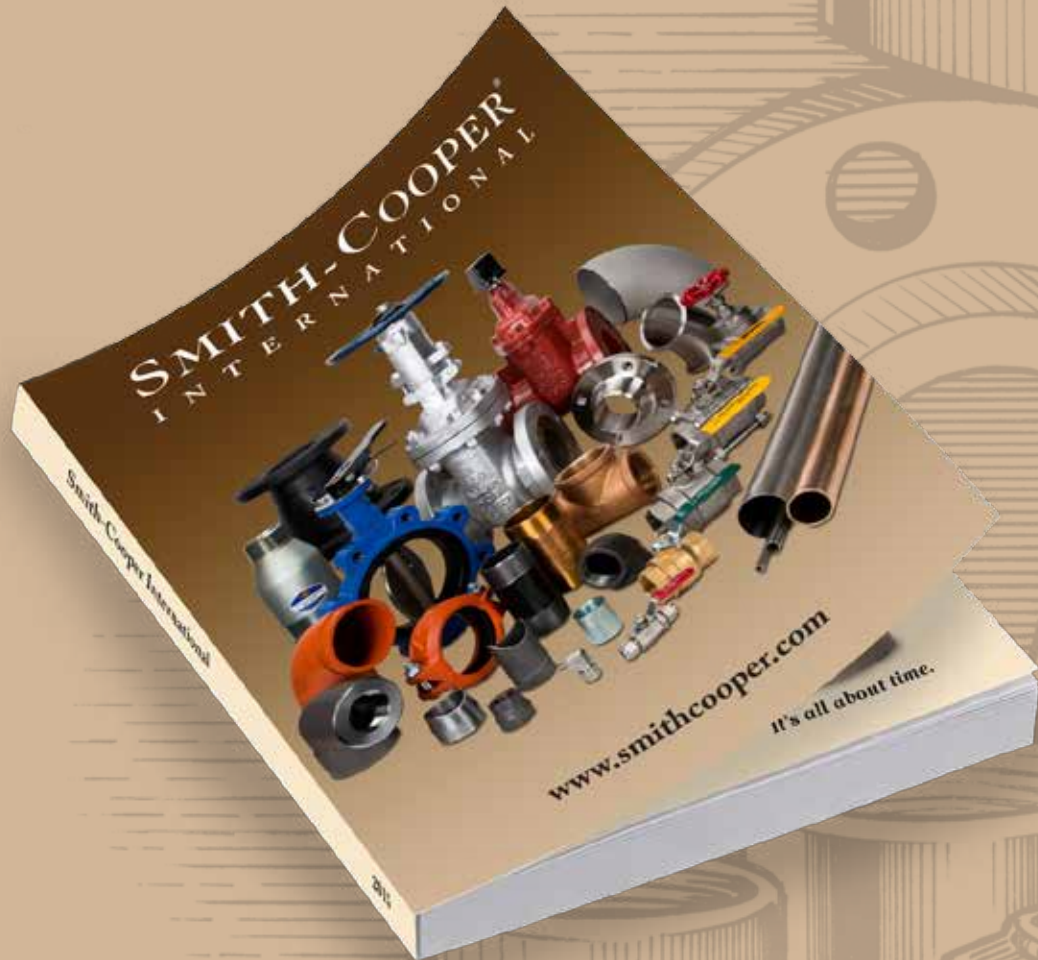
Ball  
Gate  
Globe  
Check  
Butterfly  
Straight Stops  
Hose Bibbs / Sillcocks  
Boiler Drains  
Specialties

## ***Stainless Steel***

150# Fittings  
3000# Forged Fittings  
Weld Fittings  
Sanitary Fittings  
Instrumentation Fittings  
Flanges  
Nipples  
Pipe & Tubing  
Valves

## ***Grooved***

Couplings  
Fittings  
Valves- Butterfly & Swing Check  
COOPLET<sup>®</sup> Adapter Nipples



**Call For A Complete Product Catalog**

**SMITH-COOPER<sup>®</sup>**  
**I N T E R N A T I O N A L**

**Toll Free 800-766-0076**

**Fax 323-890-4456**

**www.smithcooper.com**

**Los Angeles, CA · Atlanta, GA · Vancouver, WA · Chicago, IL**