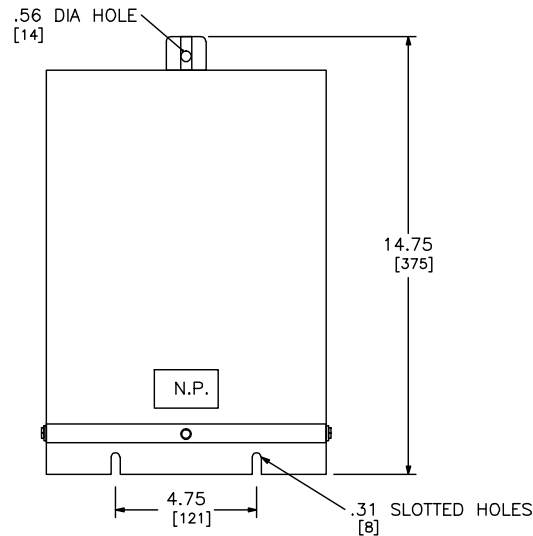
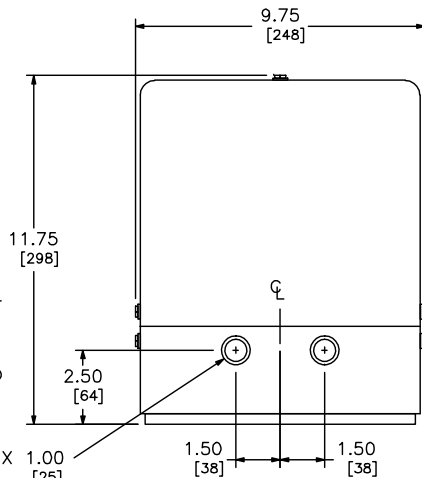


SIDE VIEW



FRONT VIEW

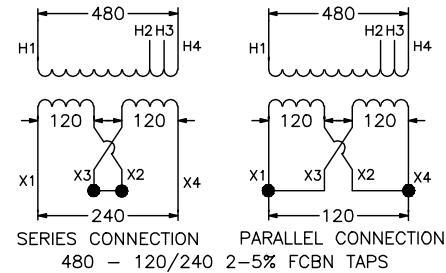


BOTTOM VIEW

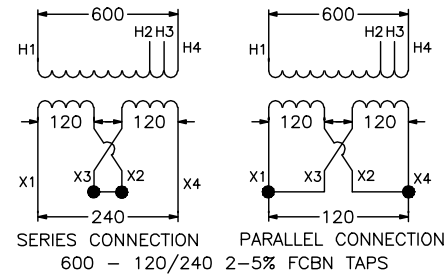
SEISMIC QUALIFICATION:
TO BE COMPLIANT WITH THE SEISMIC REQUIREMENTS OF ASCE/SEI7, THIS UNIT HAS BEEN QUALIFIED BY SHAKE TABLE TESTING THROUGH SELF CERTIFICATION TO ICC ES AC156. THE ENCLOSURE SHOWN ABOVE IS 13B. CONTACT YOUR LOCAL SCHNEIDER ELECTRIC/SQUARE D REPRESENTATIVE FOR RELATED QUESTIONS.

NOTES:
UL/CUL LISTED
NEMA 3R NON-VENTILATED ENCLOSURE
COPPER WOUND
185°C INSULATION SYSTEM FOR 115°C RISE
EPOXY-RESIN ENCAPSULATED
MINIMUM FIELD CLEARANCES: 12.00 IN/305 MM SIDE AND VERTICAL

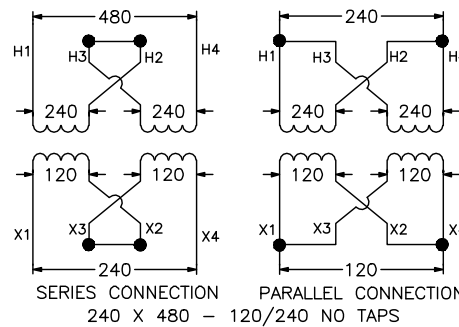
GENERAL-PURPOSE TRANSFORMER
5-10 KVA 1Ø 60HZ
120/240V SECONDARY



PRIMARY VOLTS	CONNECT TO TAP
480	H4
456	H3
432	H2



PRIMARY VOLTS	CONNECT TO TAP
600	H4
570	H3
540	H2



DUAL DIMENSIONS: INCHES
MILLIMETERS

KVA	CATALOG NUMBERS			TEMP. RISE	GUAR. SOUND LEVEL	WGT LBS
	240X480	480	600			
5	5S1F	5S40F	5S4F	115°C	40 DB	115
7.5	7S1F	7S40F	7S4F	115°C	40 DB	135
10	10S1F	10S40F	10S4F	115°C	45 DB	165

GENERAL-PURPOSE TRANSFORMER
5-10 KVA 1PH 60HZ
208Y/120V SECONDARY



DWG# 3590
NO.