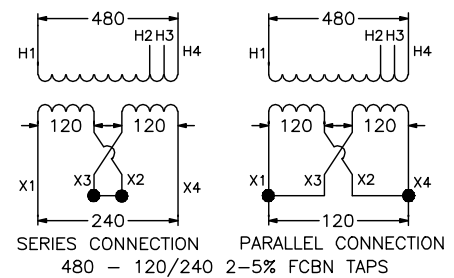
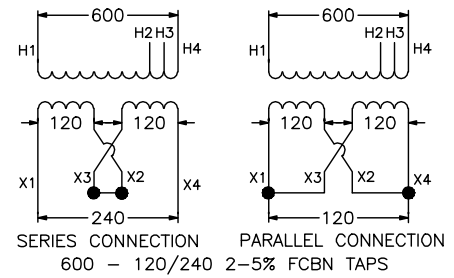


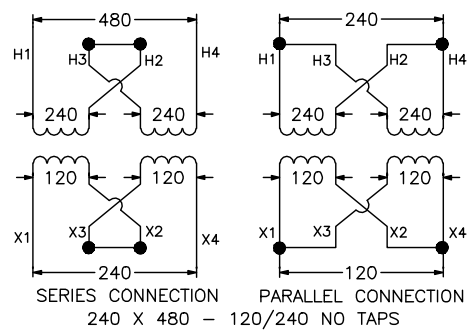
GENERAL-PURPOSE TRANSFORMER
3 KVA 1Ø 60HZ
120/240V SECONDARY



PRIMARY VOLTS	CONNECT TO TAP
480	H4
456	H3
432	H2



PRIMARY VOLTS	CONNECT TO TAP
600	H4
570	H3
540	H2



DUAL DIMENSIONS: INCHES
MILLIMETERS

KVA	CATALOG NUMBERS			TEMP. RISE	GUAR. SOUND LEVEL	WGT LBS
	PRIMARY					
3	240X480	480	600	115°C	40 DB	60
	3S1F	3S40F	3S4F			

SEISMIC QUALIFICATION:
TO BE COMPLIANT WITH THE SEISMIC REQUIREMENTS OF ASCE/SEI7, THIS UNIT HAS BEEN QUALIFIED BY SHAKE TABLE TESTING THROUGH SELF CERTIFICATION TO ICC ES AC156. THE ENCLOSURE SHOWN ABOVE IS 10A. CONTACT YOUR LOCAL SCHNEIDER ELECTRIC/SQUARE D REPRESENTATIVE FOR RELATED QUESTIONS.

NOTES:
UL/CUL LISTED
NEMA 3R NON-VENTILATED ENCLOSURE
COPPER WOUND
185°C INSULATION SYSTEM FOR 115°C RISE
EPOXY-RESIN ENCAPSULATED

GENERAL-PURPOSE TRANSFORMER 3 KVA 1PH 60HZ 208Y/120V SECONDARY	 Schneider Electric
DWG# 3589 No.	