

2 AND 3-POLE DEFINITE PURPOSE - 600 VAC, 50-60 HZ

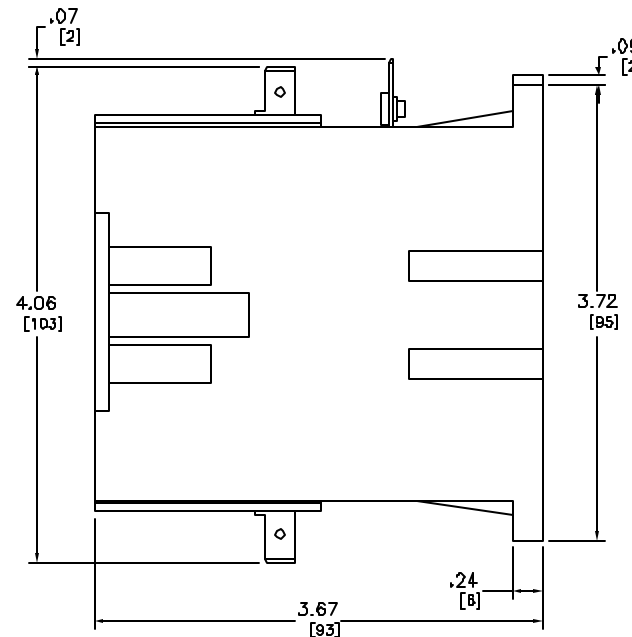
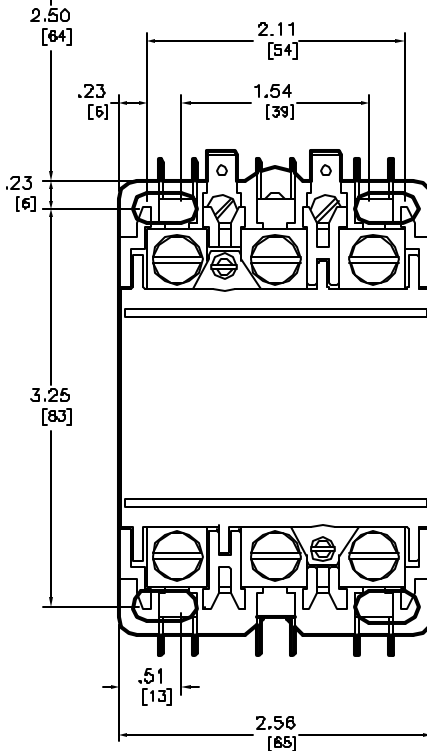
FULL LOAD AMPERES CODE (2)	
TYPE	FLA
52 (2 POLE)	50 FLA
53 (3 POLE)	
62 (2 POLE)	60 FLA
63 (3 POLE)	

COIL VOLTAGE CODE (1)	VOLTAGE	
	60 HZ	50 HZ
V14	24	24
V02	120	110
V09	208-240	220
V04	277	-
V06	480	440
V07	600	550

QUICK CONNECT TERMINALS AND BINDER HEAD SCREWS FOR EASY WIRING.

ELECTRICAL CLEARANCE/WIRE BENDING SPACE

MINIMUM TO WALL OR BARRIER TO INSURE ADEQUATE WIRE BENDING SPACE TO LUG SURFACE WHEN THE MAXIMUM WIRE SIZE IS USED. REF. NEC 430-10



Catalog Number: 8910-DPA(2)(1)
 Ratings: SEE CHART
 UL File/CCN: E42240/CCN NLDX2
 CSA File/Class: LR25400/321104
 Meets Standards: -
 Weight: 1.75 LB
 Wire Size: PDWER - #14-#8
 Terminal torque: 45 LB-in
 Mounting Hwd.: (4) #10 or M5 screws

DUAL DIMENSIONS: INCHES
MILLIMETERS

DEFINITE PURPOSE CONTACTOR (2 AND 3 POLE)
 CLASS 8910 TYPE DPA (2) (1)



DWG# E0310401-01
 NO.