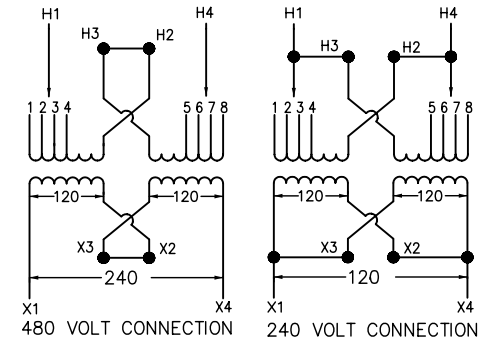


480 VOLT CONNECTION CONNECT H2 TO H3 CONNECT LINES TO H1 & H4	
PRIMARY VOLTS	CONNECT TO TAPS
504	1 AND 8
492	1 AND 7
480	2 AND 7
468	2 AND 6
456	3 AND 6
444	3 AND 5
432	4 AND 5

240 VOLT CONNECTION CONNECT H1 TO H3, H2 TO H4 CONNECT LINES TO H1 & H4	
PRIMARY VOLTS	CONNECT TO TAPS
252	1 AND 8
240	2 AND 7
228	3 AND 6
216	4 AND 5



**TRANSFORMER SPECIFICATIONS:**

25 KVA 1Ø 60 HZ  
 PRIMARY VOLTAGE 240 X 480  
 SECONDARY VOLTAGE 120/240  
 150°C RISE ABOVE 40°C AMBIENT  
 220°C INSULATION SYSTEM  
 ALUMINUM WINDINGS  
 APPROXIMATE WEIGHT: 275 LBS  
 GUARANTEED SOUND LEVEL: 45 dB  
 EFFICIENCY @35%: 98.0% AVG. CONFORMS  
 TO NEMA TP 1 - 2002 AND CSA C802.2

**NOTES:**

- 1) cULus LISTED (MEETING UL 1561 AND CSA C22.2)
- 2) NEMA 2 VENTILATED ENCLOSURE ENCLOSURE RATED FOR NEMA 3R WHEN OPTIONAL WEATHERSHIELD ACCESSORY IS INSTALLED.
- 3) MINIMUM CLEARANCE OF 3.00[76] BETWEEN VENT OPENINGS, WALL OR OTHER OBSTRUCTION
- 4) SHADED AREAS DENOTE CUSTOMER CONDUIT ENTRANCE LOCATIONS, AVAILABLE BOTH SIDES AND BOTTOM

**SEISMIC QUALIFICATION:**

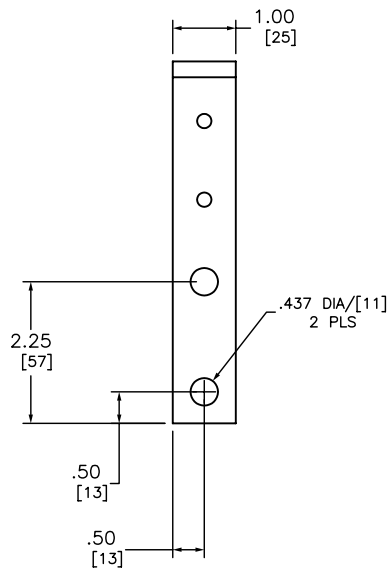
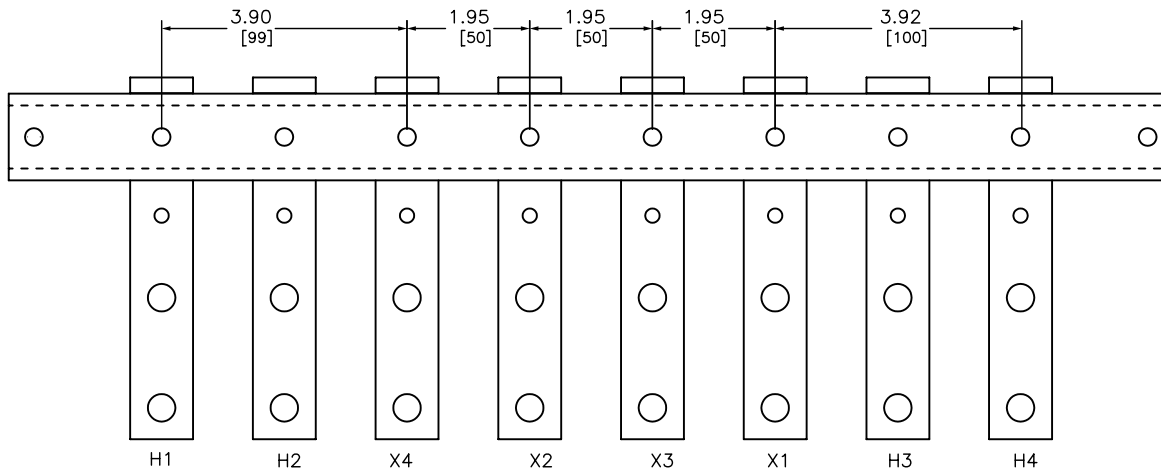
TO BE COMPLIANT WITH THE SEISMIC REQUIREMENTS OF ASCE/SEI 7, THIS UNIT HAS BEEN QUALIFIED BY SHAKE TABLE TESTING THROUGH SELF CERTIFICATION TO ICC ES AC156. CONTACT YOUR LOCAL SCHNEIDER ELECTRIC/SQUARE D REPRESENTATIVE FOR RELATED QUESTIONS.

DUAL DIMENSIONS: INCHES  
MILLIMETERS

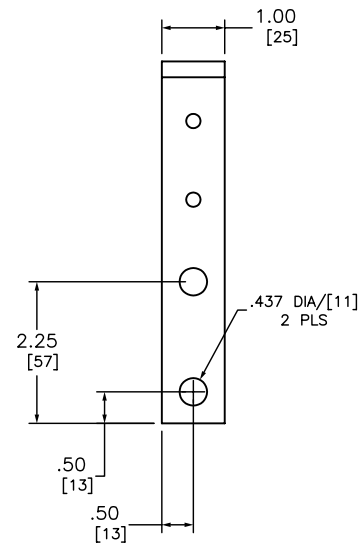
LOW VOLTAGE ENERGY EFFICIENT, TP1  
 DRY-TYPE TRANSFORMER  
 CATALOG NO EE25S3H  
 1PHASE, 25kVA, AL  
 PRIMARY 240 X 480, SECONDARY 120/240



DWG# 6312-0198  
 No.



X TERMINAL DETAIL



H TERMINAL DETAIL

DUAL DIMENSIONS: INCHES  
MILLIMETERS

LOW VOLTAGE ENERGY EFFICIENT, TP1  
 DRY-TYPE TRANSFORMER  
 CATALOG NO EE25S3H  
 1 PHASE, 25kVA, AL  
 PRIMARY 240 X 480, SECONDARY 120/240



DWG# 6312-0198  
 No.