
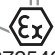

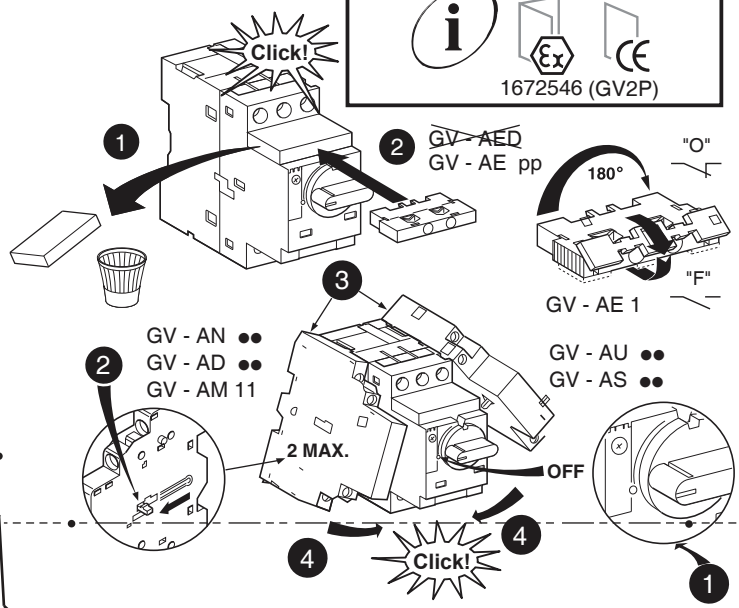
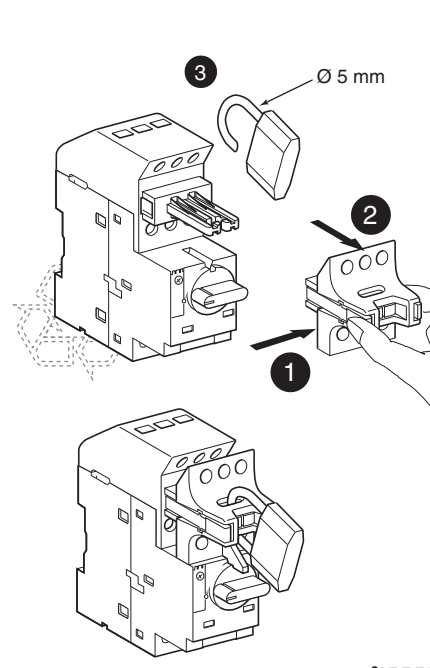
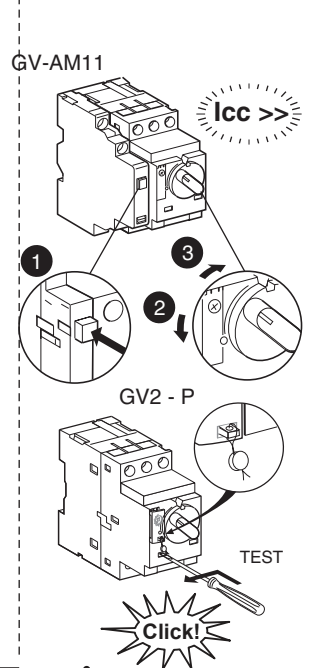
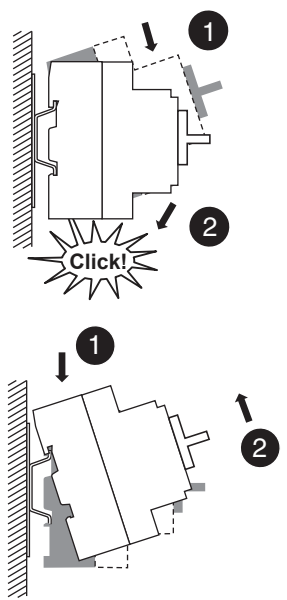
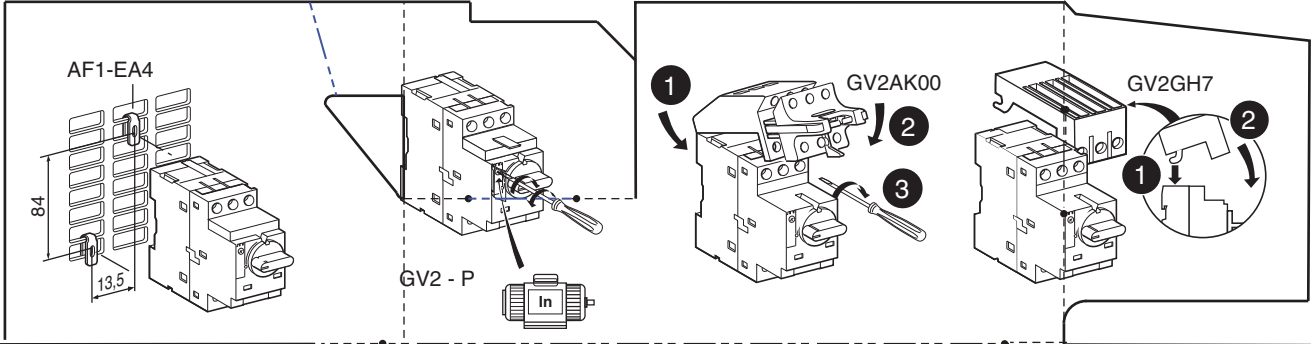


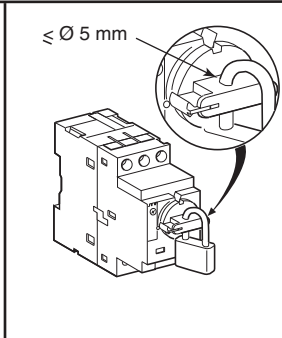
⚠ ⚠ DANGER / 危險
HAZARD OF ELECTRIC SHOCK, EXPLOSION, OR ARC FLASH
 Disconnect all power before servicing equipment.
 Failure to follow these instructions will result in death or serious injury.
 电击、爆炸或电弧闪光危险
 在此电力设备上进行操作时，请先断开所有电源
 不遵循上述规定将可能导致人员伤亡。

www.schneider-electric.com/site/home



 1672546 (GV2P)





GV2-P●●/L●●
 04 - 2016
 Schneider Electric Industries SAS www.schneider-electric.com
 35, rue Joseph Monier
 92506 Rueil Malmaison - France
 W9 1675463 0211 A07



		mm ² AWG	mm in	N.m lb-in
x1	x2	1...6	10 3/8	1,7 15
		18...10		
x1	x2	1,5...6	10 3/8	1,7 15
		16...10		
x1	x2	1...4	10 3/8	1,7 15
		18...10		

