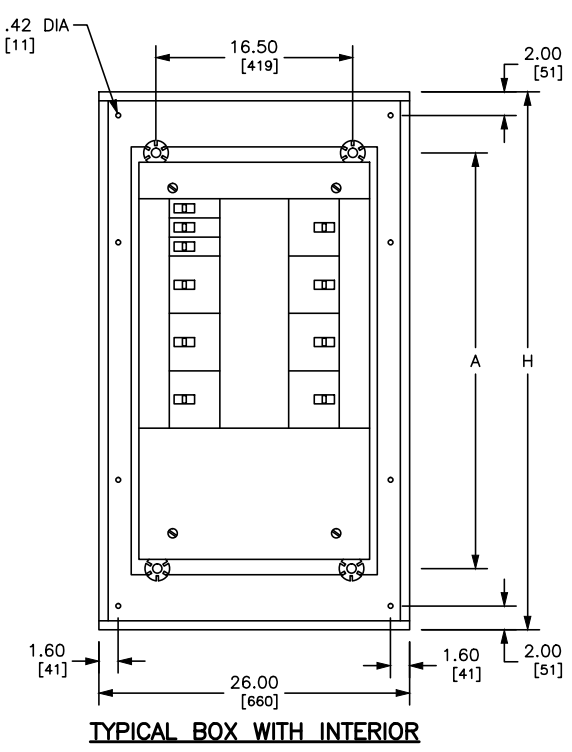
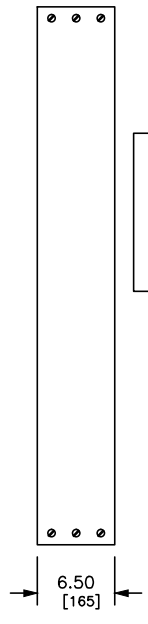


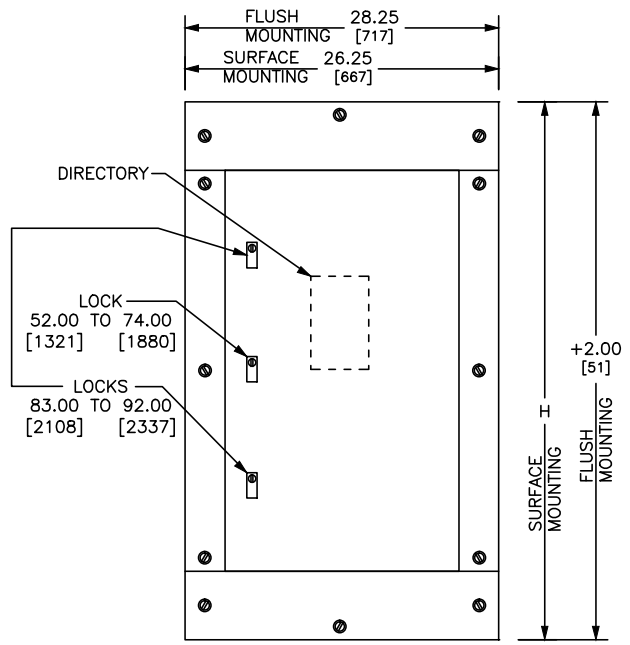
REV	DESCRIPTION	BY	DATE		
---	---	---	---	---	---



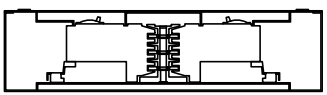
TYPICAL BOX WITH INTERIOR



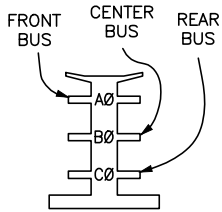
TYPICAL BOX SIDE VIEW



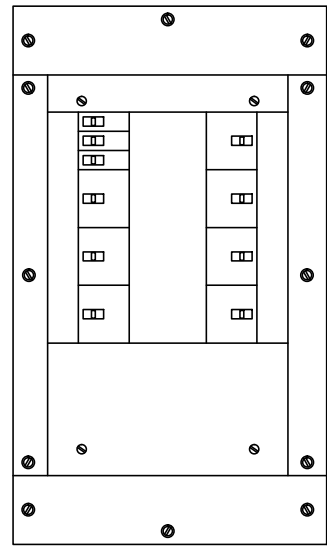
TYPICAL FRONT
(4 PIECE TRIM - WITH DOOR)



TYPICAL MOUNTING OF FA, FC, FD, FG, FH, FJ, FK, FY, HD, HG, HJ, HL, Q2, Q2H, Q2-H, QB, QD, QG, QJ OR QO BREAKERS



BRANCH CONNECTION PHASING IS DETERMINED BY CIRCUIT BREAKER SELECTION



TYPICAL FRONT
(4 PIECE TRIM - NO DOOR)

REFER TO DP CATALOG CLASS 2110 FOR ADDITIONAL INFORMATION.

I-LINE HCN PANELBOARDS MEET THE APPLICABLE REQUIREMENTS OF UL AND CSA.

BOX: CODE GAUGE GALVANIZED STEEL WITH REMOVABLE BLANK ENDWALLS.

FRONT: GRAY BAKED ENAMEL FINISH ELECTRODEPOSITED OVER CLEANED PHOSPHATIZED STEEL.

LOCK: 52.00/[1321] - 74.00/[1880] HIGH FRONTS HAVE BRUSHED, STAINLESS STEEL FLUSH LOCK WITH NSR-251 KEY.
83.00/[2108] - 92.00/[2337] HIGH FRONTS HAVE (2) BRUSHED STAINLESS STEEL FLUSH LOCKS WITH NSR-251 KEY.

FOR NEMA TYPE 3R APPLICATIONS USE IN CONJUNCTION WITH PBA412.

DUAL DIMENSIONS: INCHES MILLIMETERS

MAXIMUM MLO OR BF-MCB AMPERE RATING	BRANCH BREAKER MOUNTING SPACE (INCHES)	H		A	
		IN	MM	IN	MM
200 THRU 600	27	52.00	1321	29.50	749
	45	65.00	1651	38.50	978
	63	74.00	1880	47.50	1207
	81	83.00	2108	56.50	1435
	99	92.00	2337	65.50	1664

JOB NAME: ---	EQUIPMENT DESIGNATION: ---
JOB LOCATION: ---	EQUIPMENT TYPE: I-LINE HCN MLO OR BF-MCB
DRAWN BY: ---	DRAWING TYPE: ---
ENGR: ---	
DATE: JANUARY 2007	
DRAWING STATUS: ---	DWG# PBA400 PG 01 OF 01 REV ---