

# Product data sheet

Specifications

SQUARE D

Green Premium™



## Circuit breaker, PowerPact M, I-Line, adj trip, 300A-800A, 3 pole, 25 kA, 600 V

MJA36800E10

### Main

Range	PowerPact
Product name	PowerPact M
Product or Component Type	Circuit breaker
Device Application	Distribution

### Complementary

Line Rated Current	300...800 A
Number of Poles	3P
Control Type	Operating handle
Breaking capacity code	J
Breaking capacity	AIR 100 kA 240 V AC 50/60 Hz UL 489 AIR 65 kA 480 V AC 50/60 Hz UL 489 AIR 25 kA 600 V AC 50/60 Hz UL 489 Icu 65 kA 240 V AC 50/60 Hz IEC 60947-2 Icu 50 kA 380/415 V AC 50/60 Hz IEC 60947-2
[Ue] rated operational voltage	600 V AC 50/60 Hz UL 489
Network Frequency	50/60 Hz
[Ics] rated service breaking capacity	35 kA 240 V AC 50/60 Hz IEC 60947-2 25 kA 380/415 V AC 50/60 Hz IEC 60947-2
[Uimp] rated impulse withstand voltage	8 kV IEC 60947-2
Trip unit technology	Electronic, basic, ET 1.0,
Magnetic tripping current	1600...8000 A
Continuous current rating	80 %
[Ui] rated insulation voltage	750 V IEC 60947-2
Trip unit name	ET 1.0
Accessory / separate part type	Communication module
Suitability for isolation	Yes IEC 60947-2
Utilisation category	Category A
AWG gauge	3 x AWG 3/0...3 x 500 kcmil aluminium/copper
Local signalling	1 trip indicator green)
Mounting mode	I-Line bracket)

<b>Mounting Support</b>	Bracket
<b>Electrical connection</b>	I-Line connection line Lugs load
<b>Terminal identifier</b>	AL800M23K
<b>Long time pick-up adjustment range</b>	300...800 A
<b>Mounting Height</b>	9 in (228.60 mm)
<b>Tightening torque</b>	442.54 lbf.in (50 N.m) 0.15...0.37 in <sup>2</sup> (95...240 mm <sup>2</sup> ) (3 x AWG 3/0...3 x 500 kcmil)
<b>Number of slots</b>	2 auxiliary switch OF plug-in) 1 alarm switch SD plug-in) 1 voltage release MN or MX plug-in)
<b>Power wire stripping length</b>	0.98 in (25 mm)
<b>Color</b>	Black
<b>Height</b>	12.86 in (326.64 mm)
<b>Width</b>	8.27 in (210.06 mm)
<b>Depth</b>	8.05 in (204.47 mm)
<b>Net Weight</b>	29 lb(US) (13.15 kg)
<b>Quantity per Set</b>	1
<b>Communication interface</b>	Modbus

## Environment

<b>Quality labels</b>	CE
<b>Standards</b>	UL CSA NEMA NOM-003-SCFI-2000 IEC 60947-2
<b>Product certifications</b>	UL CSA NOM
<b>IP degree of protection</b>	IP40
<b>Pollution degree</b>	3 IEC 60947-1
<b>Ambient Air Temperature for Operation</b>	-13...158 °F (-25...70 °C)
<b>Ambient Air Temperature for Storage</b>	-58...185 °F (-50...85 °C)
<b>Operating altitude</b>	< 6561.68 ft (2000 m) without derating 13123.36 ft (4000 m) with derating

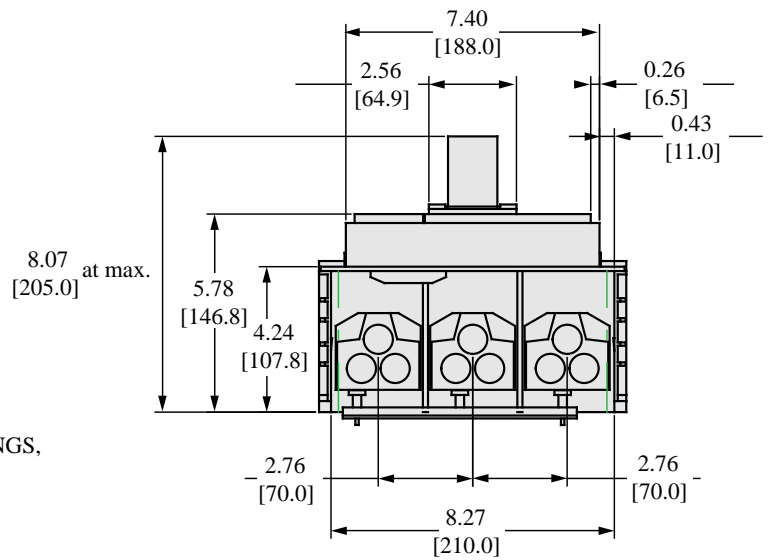
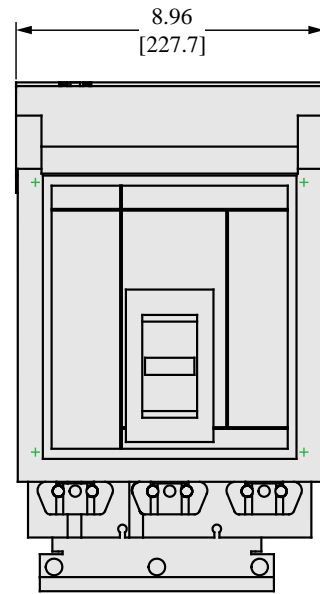
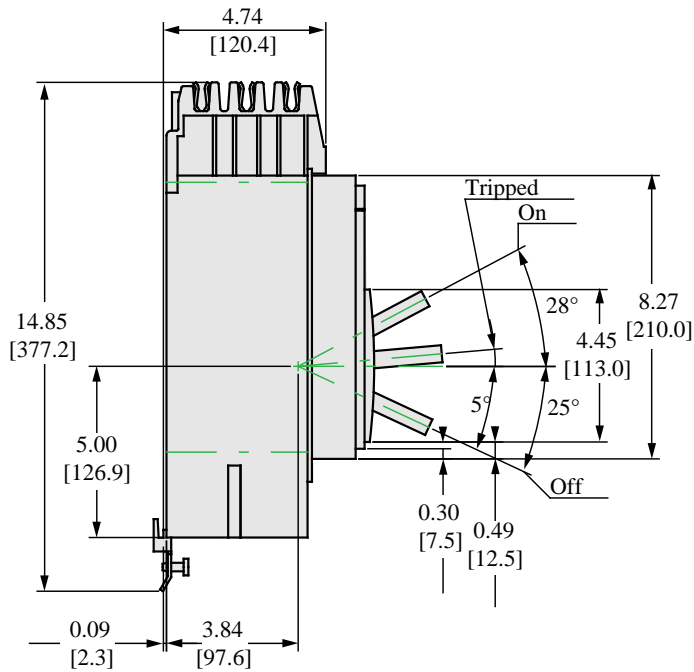
## Offer Sustainability

<b>Sustainable offer status</b>	Green Premium product
<b>California proposition 65</b>	WARNING: This product can expose you to chemicals including: DINP, which is known to the State of California to cause cancer, and DIDP, which is known to the State of California to cause birth defects or other reproductive harm. For more information go to <a href="http://www.P65Warnings.ca.gov">www.P65Warnings.ca.gov</a>
<b>REACH Regulation</b>	<a href="#">REACH Declaration</a>
<b>EU RoHS Directive</b>	Compliant <a href="#">EU RoHS Declaration</a>
<b>Mercury free</b>	Yes
<b>RoHS exemption information</b>	<a href="#">Yes</a>
<b>China RoHS Regulation</b>	<a href="#">China RoHS declaration</a> Product out of China RoHS scope. Substance declaration for your information.
<b>Environmental Disclosure</b>	<a href="#">Product Environmental Profile</a>

PVC free

Yes

Dimensions



in.  
[mm]

ALL DIMENSIONS ARE APPROXIMATE.  
 ALSO REFER TO CAD, TECHNICAL DRAWINGS,  
 AND DOCUMENTATION.