



**Performa™**  
60-1/4" x 29" bath  
**71041110**



### Features

- Durable high-gloss finish.
- 60" (1524 mm) x 29" (737 mm) x 15" (381 mm) complete unit finished dimensions.

### Material

- Compression molded from our exclusive solid Vikrell® material.

### Recommended Products/Accessories

K-23726 Drain treatment

K-23733 Vikrell® cleaner



**ADA**

### Codes/Standards

CSA B45.5/IAPMO Z124

ASTM E162

ASTM E662

ADA



ICC/ANSI A117.1

HUD, UM Bulletin 73

See website for detailed warranty information.

### Available Colors/Finishes

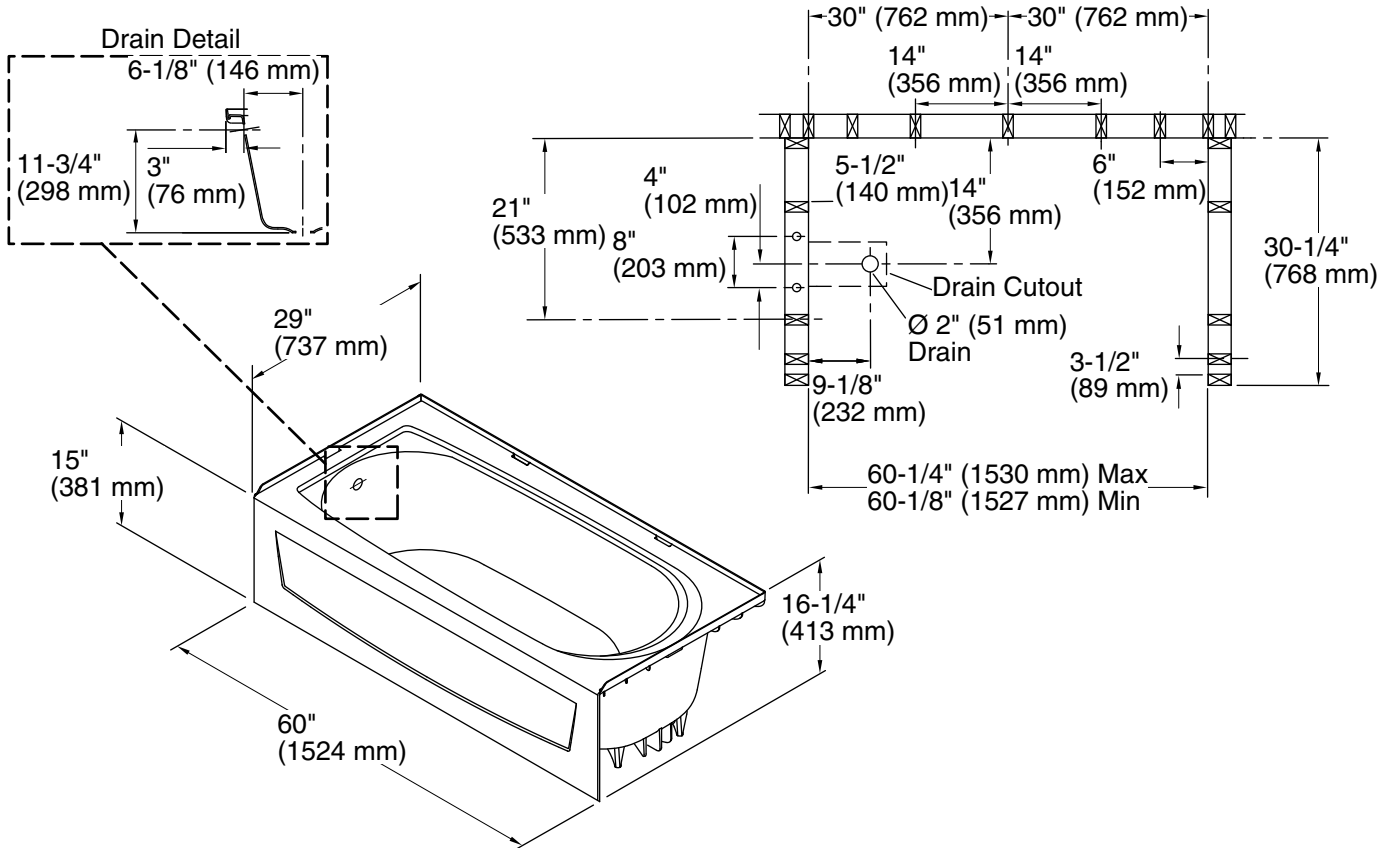
*Color tiles intended for reference only.*

Color	Code	Description
	0	White
	96	KOHLER Biscuit

1-800-STERLING (1-800-783-7546)

Kohler Co. reserves the right to make revisions without notice to product specifications.

For the most current Specification Sheet, go to [www.sterlingplumbing.com](http://www.sterlingplumbing.com).



### Technical Information

All product dimensions are nominal.

Installation:	Three-wall alcove
Drain location:	Left
Basin area, bottom:	21" x 39" (533 mm x 991 mm)
Basin area, top:	24" x 53" (610 mm x 1346 mm)
Water depth:	10-1/4" (260 mm)
Water capacity:	35 gal (132.5 L)
Minimum flat for door:	1-3/4" (44 mm)
Maximum door width:	60" (1524 mm)

### Notes

Install this product according to the installation instructions.

Studs should be positioned roughly as shown.

Double studding is recommended for pivot shower door installations.

ADA compliant when installed to the specific requirements of these regulations.