



Ensemble™

60" x 30" shower base
72171110



Features

- 4" threshold.
- Durable high-gloss finish with molded-in textured floor.
- Suitable for tile-down applications.
- Compatible with Ensemble walls (series 7217)

Material

- Made from solid Vikrell® material for strength, durability, and lasting beauty.

Installation

- Left drain.

Recommended Products/Accessories

- K-23726 Drain treatment
- K-23733 Vikrell® cleaner



Codes/Standards



CSA B45.5/IAPMO Z124
ASTM E162
HUD, UM Bulletin 73

Warranty – Bathing Fixtures (and) Kitchen and Utility Sinks Made of Solid Vikrell® Material

See website for detailed warranty information.

Available Colors/Finishes

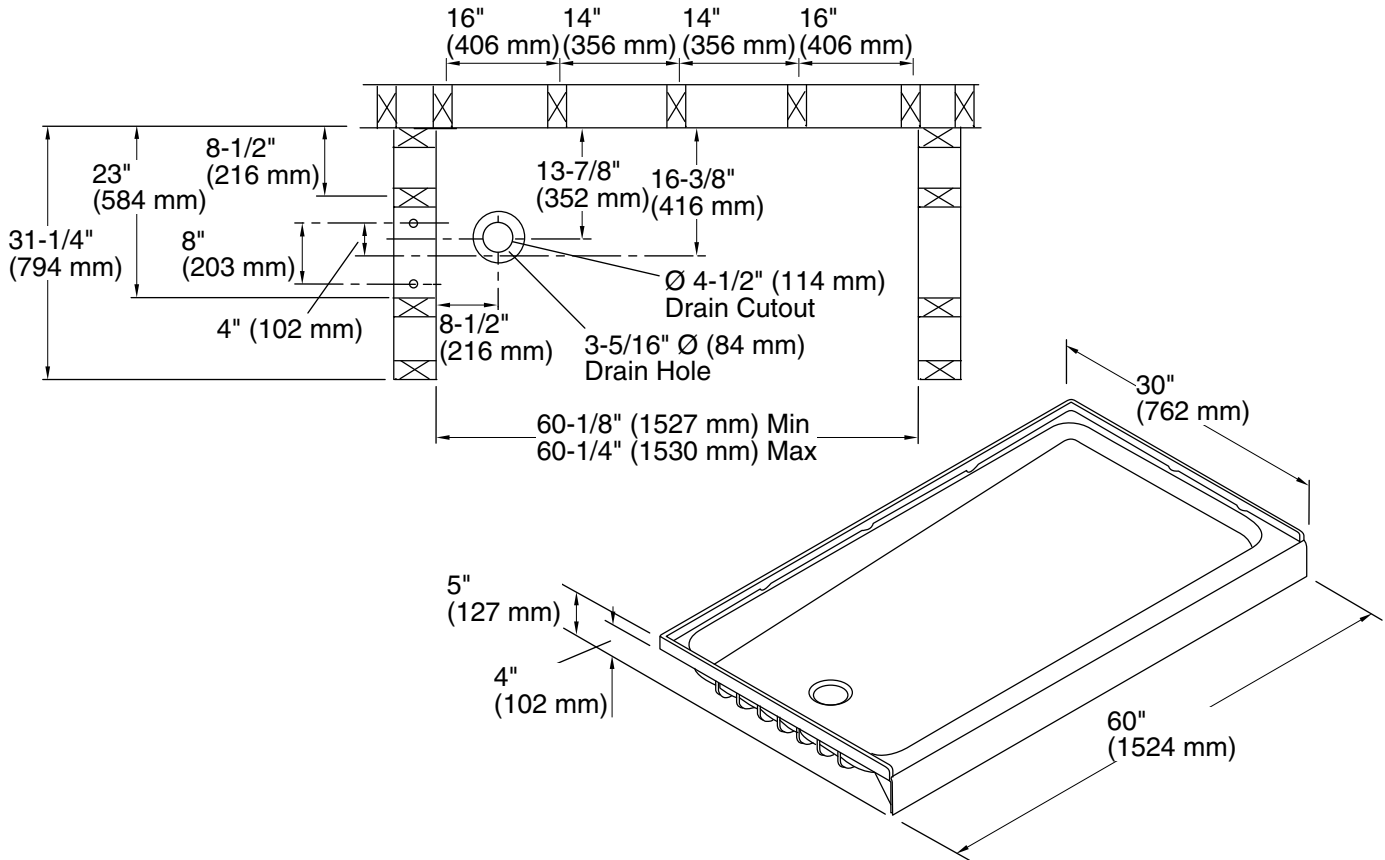
Color tiles intended for reference only.

Color	Code	Description
	0	White
	96	KOHLER Biscuit

1-800-STERLING (1-800-783-7546)

Kohler Co. reserves the right to make revisions without notice to product specifications.

For the most current Specification Sheet, go to www.sterlingplumbing.com.



Technical Information

All product dimensions are nominal.
 Installation: Three-wall alcove
 Drain location: Left
 Weight: 38 lbs (17.2 kg)

Notes

Install this product according to the installation instructions.
 Studs should be positioned roughly as shown.
 Double studding is recommended for pivot shower door installations.