



Accord®

48" complete wall set

72284100



Features

- 48" Shower Module.
- High-gloss finish provides a smooth, shiny surface that is easy to clean.
- Extra-deep, 36" shower can sit next to the most popular whirlpool sizes for a clean straight wall line.
- Ample storage shelves are recessed leaving a more spacious feeling shower.
- Snap-together installation. An audible click lets you know when the walls are properly installed.
- Install with 72281100 shower base.

Material

- Made from solid Vikrell® material for strength, durability, and lasting beauty.

Installation

- Caulk-free installation.

Recommended Products/Accessories

- 1500D-48 Framed pivot shower door
- 1505D-48 Framed pivot shower door
- 1506D-48 Framed pivot shower door
- 1530D-48 Framed pivot shower door
- 1535D-48 Framed pivot shower door
- 5475-48 Frameless sliding shower door
- 5477-48 Frameless sliding shower door
- 5970-48 Framed sliding shower door
- 5975-48 Framed sliding shower door
- 5976-48 Framed sliding shower door
- 5977-48 Framed sliding shower door
- 547808-48 Frameless sliding shower door
- 581075-48 Frameless sliding shower door
- 80001012 12" straight grab bar
- 80001018 18" straight grab bar
- 80001024 24" straight grab bar
- 80011032 32" straight grab bar
- 80001036 36" straight grab bar
- 80012222 22" curved grab bar
- 72286104 Removable bath seat for Series 7228 and 7229
- K-23733 Vikrell® cleaner



Codes/Standards



- CSA B45.5/IAPMO Z124
- ASTM E162
- ASTM E662

Warranty – Bathing Fixtures (and) Kitchen and Utility Sinks Made of Solid Vikrell® Material

See website for detailed warranty information.

Available Colors/Finishes

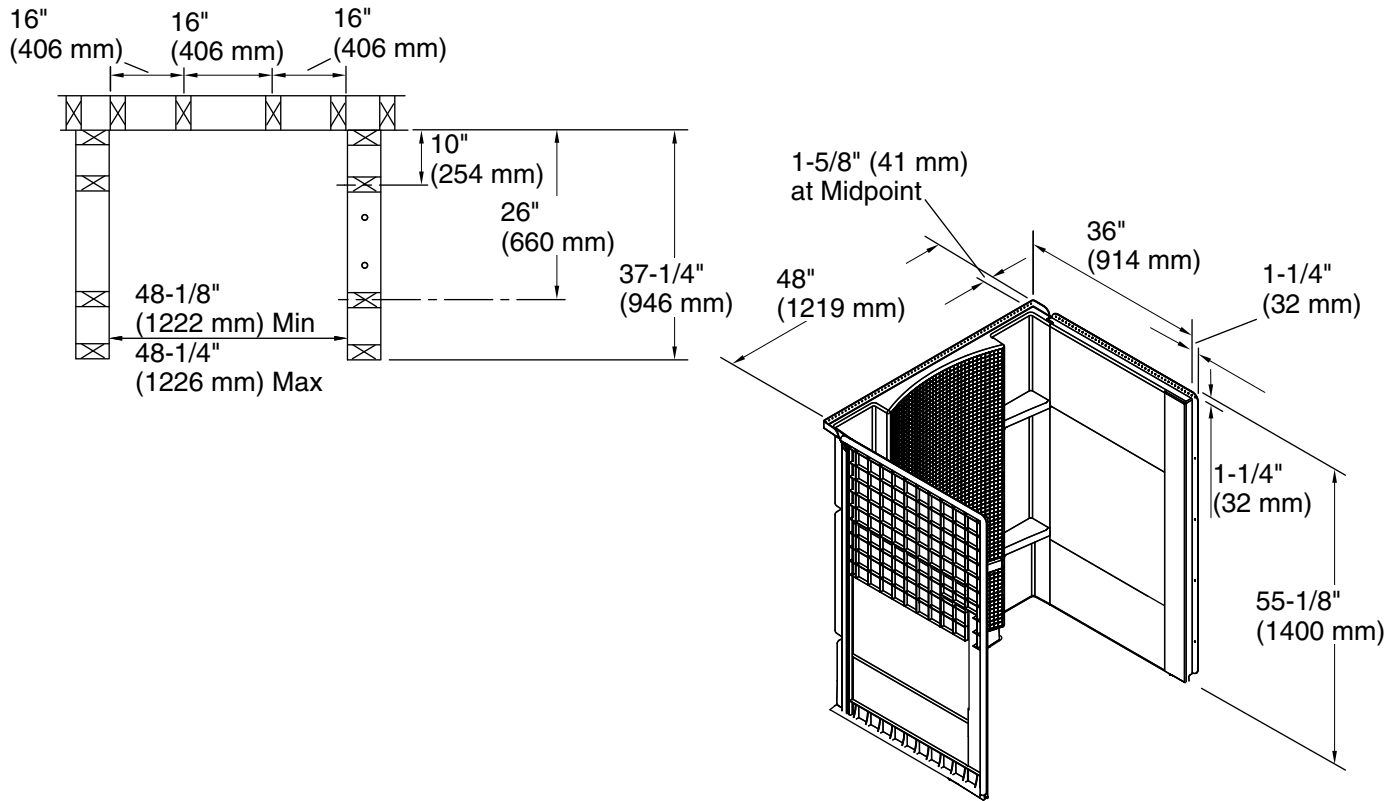
Color tiles intended for reference only.

Color	Code	Description
	0	White
	96	KOHLER Biscuit

1-800-STERLING (1-800-783-7546)

Kohler Co. reserves the right to make revisions without notice to product specifications.

For the most current Specification Sheet, go to www.sterlingplumbing.com.



Technical Information

All product dimensions are nominal.

Installation:	Three-wall alcove
Maximum door height:	70-5/8" (1794 mm)
Maximum door width:	44-5/8" (1133 mm)

Notes

Install this product according to the installation instructions.

Measure your actual product for roughing-in details.