



T&S BRASS AND BRONZE WORKS, INC.
 2 Saddleback Cove / P.O. Box 1088
 Travelers Rest, SC 29690

Model No.
B-1120-LN

Item No.

Travelers Rest, SC: 800-476-4103 • Simi Valley, CA: 800-423-0150 • Fax: 864-834-3518 • www.tsbrass.com



ADA Compliant

This Space for Architect/Engineer Approval

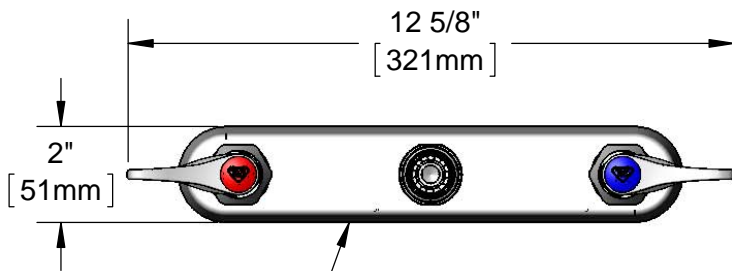
Job Name _____ Date _____

Model Specified _____ Quantity _____

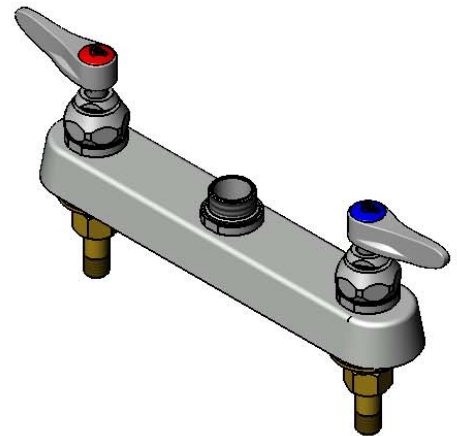
Customer/Wholesaler _____

Contractor _____

Architect/Engineer _____

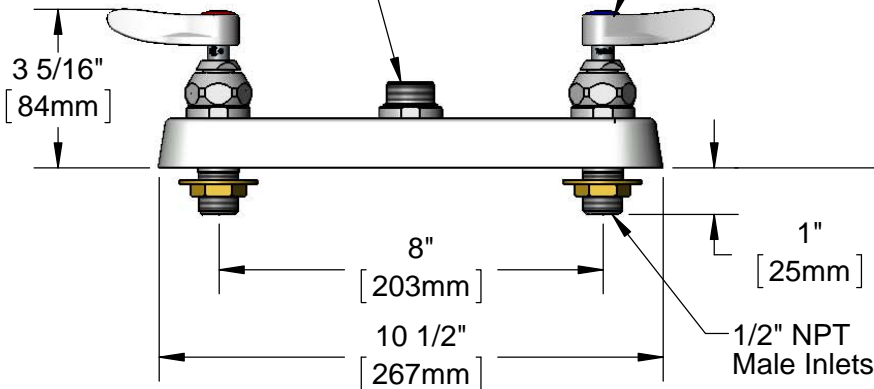


Polished Chrome
Plated Escutcheon



Swivel Outlet Accepts
Standard T&S Swing
Nozzles. Converts to
Rigid w/ 014200-45
Lock Washer (Included)

Quarter-Turn Eterna
Cartridges w/ Spring
Checks & Lever Handles
w/ Color Coded Indexes



Mounting
Surface

(2) 150A
Optional Tailpieces &
Nuts for 1/4" NPT
Connection (Included)

1/4"
[6mm]
Maximum
Thickness

Rough-In Requirement:
 (2) \varnothing 1" [25mm] Mounting Holes

Product Specifications:
 8" Deck Mount Workboard Faucet Less Nozzle, Quarter-Turn Eterna
 Cartridges w/ Spring Checks, Lever Handles & 1/2" NPT Male Inlets

Product Compliance:
 ASME A112.18.1 / CSA B125.1
 NSF 61 - Section 9
 NSF 372 (Low Lead Content)
 ANSI A117.1 (ADA)



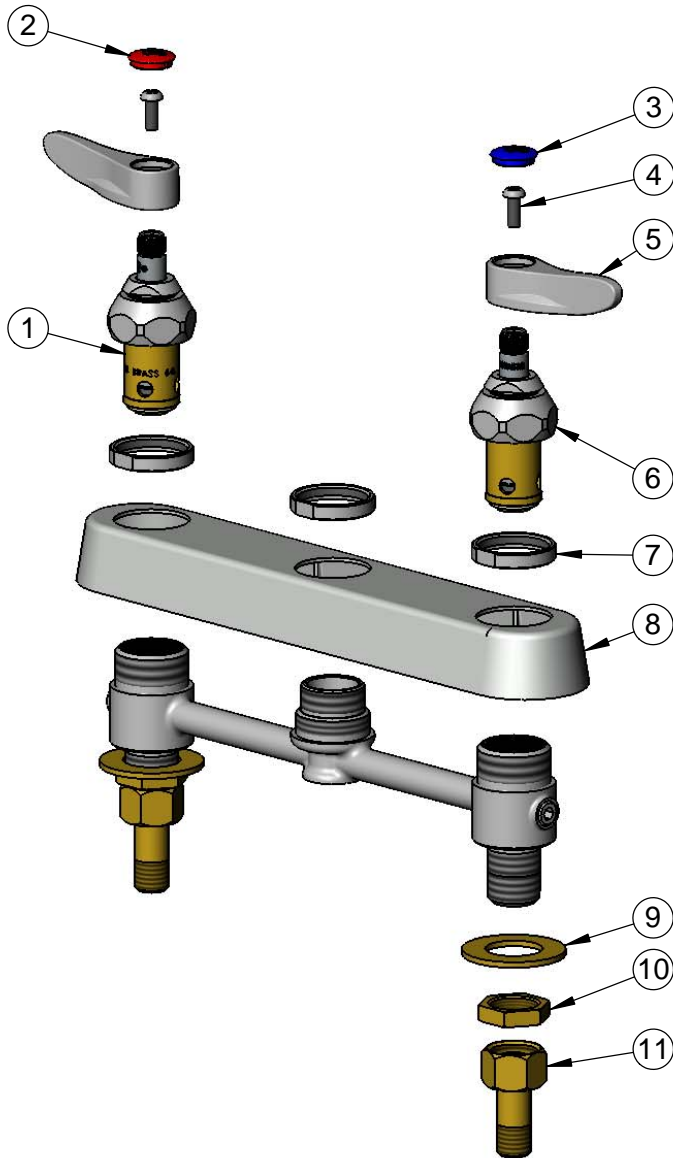
T&S BRASS AND BRONZE WORKS, INC.
 2 Saddleback Cove / P.O. Box 1088
 Travelers Rest, SC 29690

Model No.
B-1120-LN

Item No.

Travelers Rest, SC: 800-476-4103 • Simi Valley, CA: 800-423-0150 • Fax: 864-834-3518 • www.tsbrass.com

ITEM NO.	SALES NO.	DESCRIPTION
1	019383-40	Quarter-Turn New Style Eterna Cartridge w/ Spring Check, RTC
2	019364-45	Red Button Index, Press-in
3	019363-45	Blue Button Index, Press-in
4	000925-45	Lab Handle Screw
5	019361-45	Lever Handle (New Style)
6	019382-40	Quarter-Turn New Style Eterna Cartridge w/ Spring Check, LTC
7	019376-40	Escutcheon Lock Nut
8	019375-40	B-1120 Eterna Workboard Escutcheon
9	000999-45	Brass Lock Washer
10	002954-45	Shank Lock Nut
11	150A	1/4" NPT Tailpiece & Nut




 014200-45
 Lock Washer
 (Converts Swivel to Rigid)

Product Specifications:
 8" Deck Mount Workboard Faucet Less Nozzle, Quarter-Turn Eterna Cartridges w/ Spring Checks, Lever Handles & 1/2" NPT Male Inlets

Product Compliance:
 ASME A112.18.1 / CSA B125.1
 NSF 61 - Section 9
 NSF 372 (Low Lead Content)
 ANSI A117.1 (ADA)