

Threaded Brass Manifold Bushing

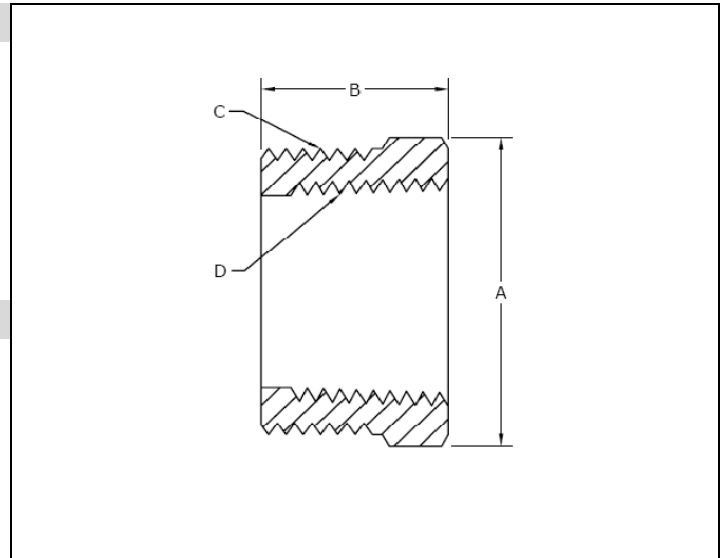
Submittal Information
Revision B: July 22, 2010

Project Information

Job Name:	
Location:	Part No. Ordered:
Engineer:	Date Submitted:
Contractor:	Submitted By:
Manufacturer's Representative:	Approved By:

Technical Data

Material:	CA 360 Brass
Maximum Temperature (no pressure):	220°F (104°C)
Maximum Pressure:	125 psi (8.6 bar)



Product Information and Application Use

Uponor's Threaded Brass Manifold Bushings are used in TruFLOW™ manifolds. In radiant heating applications, the bushing transitions the R32 manifold union nut to 1" national pipe thread (NPT) and ¾" threaded connections (PEX or Multi-layer Composite (MLC) tubing with QS-style fittings).

✓ Description	Part Number	A	B	C	D	Weight
Threaded Brass Manifold Bushing, R32 Male x ¾" Female NPT	A2133275	1.75"	0.98"	R32	0.75" FNPT	0.30 lbs.
Threaded Brass Manifold Bushing, R32 Male x 1" Female NPT	A2123210	1.75"	0.98"	R32	1.00" FNPT	0.30 lbs.

Installation

Thread directly into Uponor TruFLOW manifolds. For additional information, refer to the TruFLOW Manifold Instruction Sheet or the Uponor Radiant Floor Heating Installation Handbook.

Standards

ASTM F877

Codes

N/A

Listings

NSF-rfh; R32: ISO 228-G 1¼ B

Related Applications

Radiant Heating and Cooling Systems
Snow and Ice Melting Systems
Permafrost Protection Systems
Turf Conditioning Systems

Contact Information

Uponor, Inc.
5925 148th Street West
Apple Valley, MN 55124 USA
Phone: (800) 321-4739
Fax: (952) 891-2008
www.uponor-usa.com

Uponor Ltd.
2000 Argentia Rd., Plaza 1, Ste. 200
Mississauga, ON L5N 1W1 CANADA
Phone: (888) 994-7726
Fax: (800) 638-9517
www.uponor.ca