

Joist Trak™ Panel

Submittal Information
Revision B: Oct. 29, 2010

Project Information

Job Name:

Location:

Part No. Ordered:

Engineer:

Date Submitted:

Contractor:

Submitted By:

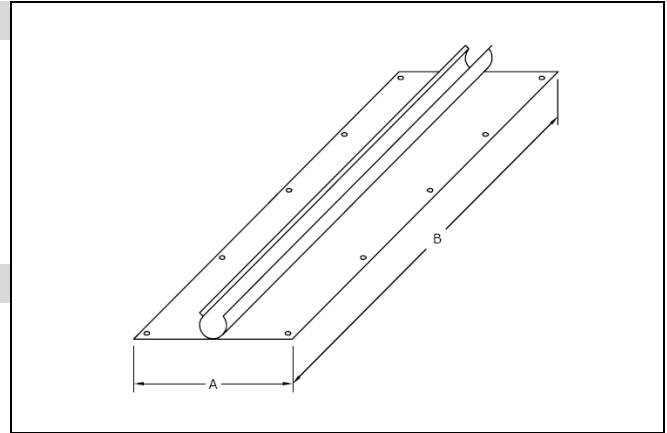
Manufacturer's Representative:

Approved By:

Technical Data

Material:

Aluminum



Product Information and Application Use

Use Joist Trak™ extruded aluminum heat transfer panels with 3/8" or 1/2" Uponor PEX in floor joist applications. Each panel is 4 feet long by 3 1/2 inches wide, and comes packaged 20 per box. It provides easy installation, increased heat transfer and superior comfort.

✓ Description

Joist Trak, 3/8" Heat Transfer Panel
Joist Trak, 1/2" Heat Transfer Panel

Part Number

A5080375
A5080500

A

3.5"
3.5"

B

48"
48"

Weight

1.20 lbs.
1.20 lbs.

Installation

Using the pre-punched mounting holes, install the panels with either screws or nails. Leave a minimum 1/4" gap between plates to allow for expansion. Simply snap the tubing into the channel of the Joist Trak panel. Refer to the Uponor Joist Trak Heat Transfer Panel Installation Handbook for additional information.

Standards

N/A

Codes

N/A

Listings

N/A

Related Applications

Radiant Heating and Cooling Systems

Contact Information

Uponor, Inc.
5925 148th Street West
Apple Valley, MN 55124 USA
Phone: (800) 321-4739
Fax: (952) 891-2008
www.uponor-usa.com

Uponor Ltd.
2000 Argentia Road, Plaza 1, Suite 200
Mississauga, ON L5N 1W1 CANADA
Phone: (888) 994-7726
Fax: (800) 638-9517
www.uponor.ca