

# Submittal Package

**viEGA**



## Viega MegaPress® Fittings

- Chilled Water
- Hydronic Heating
- Fire Protection
- Low Pressure Steam
- Compressed Air (no oil)
- Industrial Gases
- Vacuum

# Submittal Package

**viega**

## Viega MegaPress® Fittings

Viega MegaPress is a carbon steel, cold press system designed for use in chilled water, hydronic heating, compressed air and fire sprinkler applications.

Viega MegaPress fittings are designed for use in piping systems utilizing ASTM A53, A106, A135 and A795 schedule 5 – schedule 40 black steel pipe.

### Operating Temperatures:

Viega MegaPress: 0 to 250°F

### Operating Pressures:

Viega MegaPress: 200 psi max

### Listings and Certifications

Viega MegaPress:

- UL 213
- FM Class 1920
- IAPMO PS117
- ICC LC1002
- DNV
- CRN #OA14541.6
- ABS
- GL
- LR
- CAL Fire

Compliant with:

- Uniform Plumbing Code
- Uniform Mechanical Code
- International Plumbing Code
- International Mechanical Code
- ASME B31
- NFPA 13, 13D and 13R, 31, 54 and 58

Viega MegaPress fittings are available in the following fitting configurations in size ½" to 2":

- P x P coupling
- P x P no-stop coupling
- P x Cap
- P x Flange
- P x FPT adapter
- P x FPT reducing adapter
- FTG x P reducer
- P x P reducer
- P x MPT adapter
- P x P 90° elbow
- P x P 45° elbow
- FTG x P 90° elbow
- FTG x P 45° elbow
- P x P x P tee
- P x P x P reducing tee
- P x P x FPT tee
- P x P union
- P x FPT union

Viega MegaPress fittings are provided with a factory-installed EPDM sealing element, a 304 stainless steel separator ring and a 420 stainless steel grip ring approved for use in hydronic heating, compressed air, fire sprinkler and cooling water applications.

All Viega MegaPress fittings are constructed with the patented Smart Connect feature. The Smart Connect feature is a quick and easy way for installers to identify connections that need to



be pressed. Testing for leaks using the Smart Connect feature is not a replacement for testing to the requirements of local codes or standards.

Viega MegaPress systems are approved for underground use and must be protected against corrosion in accordance with NFPA 54 section 404.8, NACE Standard RP0169-2002 section 5, 2009 UPC Chapter 6 section 609.3.1, 2009 UMC Chapter 13 section 1312.1.3 and in a manner satisfactory to the local code official.

Recommended Tools:

- RIDGID RP 330-B
- RIDGID RP 330-C
- RIDGID RP 340-B
- RIDGID CT-400

Contact a local Viega representative for applications other than those listed on this document.

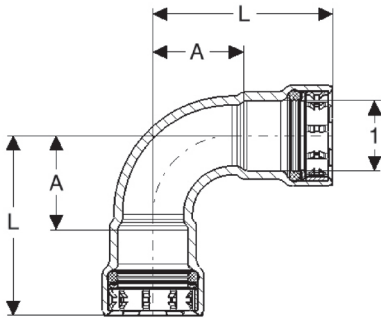
MegaPress		
Application	Temperature	Pressure (Max)
Hydronics	(-4°) F to 250° F	200 psi
Low Pressure Steam	248° F Max	15 psi
Industrial Gases	140° F Max	200 psi
Compressed Air (no oil)	140° Max	200 psi
Fire Sprinkler	Ambient	200 psi
Vacuum	140° Max	Max 29.2 in. of Mercury

# Submittal Package

**viega**

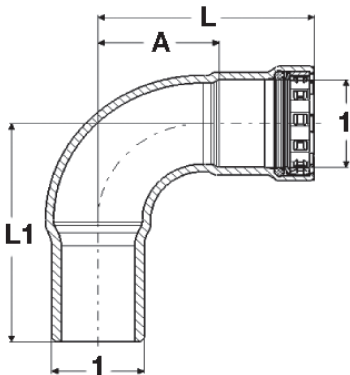
## Dimensional Documentation

**MegaPress 90° Elbow, Carbon Steel, P x P - Models 4816 / 6616**



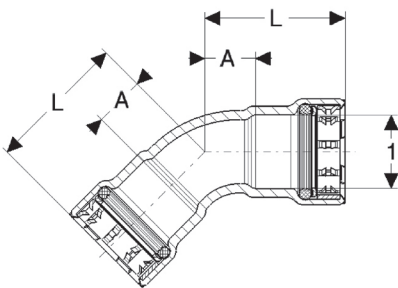
Part No.		Size	A (in)	L (in)
MegaPress	MegaPressG	1		
25200	25201	1/2"	1.17	2.24
25205	25206	3/4"	1.36	2.52
25210	25211	1"	1.72	3.07
25215	25216	1 1/4"	2.00	3.82
25220	25221	1 1/2"	2.26	4.13
25225	25226	2"	2.80	4.76

**MegaPress 90° Elbow, Carbon Steel, FTG x P - Models 4816.1 / 6616.1**



Part No.		Size	A (in)	L (in)	L1 (in)
MegaPress	MegaPressG	1			
26050	26051	1/2"	1.17	2.24	2.56
26055	26056	3/4"	1.36	2.52	2.80
26060	26061	1"	1.72	3.07	3.39
26065	26066	1 1/4"	2.00	3.82	4.04
26070	26071	1 1/2"	2.26	4.13	4.21
26075	26076	2"	2.80	4.76	5.08

**MegaPress 45° Elbow, Carbon Steel, P x P - Models 4826 / 6626**



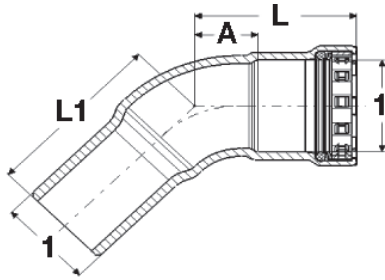
Part No.		Size	A (in)	L (in)
MegaPress	MegaPressG	1		
25230	25231	1/2"	0.60	1.67
25235	25236	3/4"	0.71	1.87
25240	25241	1"	0.86	2.20
25245	25246	1 1/4"	0.98	2.80
25250	25251	1 1/2"	1.12	2.99
25255	25256	2"	1.32	3.29

# Submittal Package

**viega**

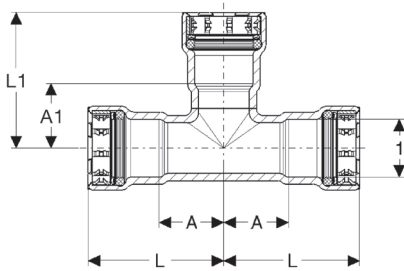


## MegaPress 45° Elbow, Carbon Steel, FTG x P - Models 4826.1 / 6626.1



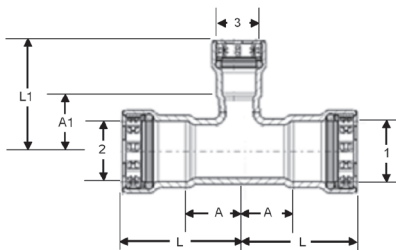
Part No.		Size	A (in)	L (in)	L1 (in)
MegaPress	MegaPressG	1			
26100	26101	½"	0.60	1.67	1.97
26105	26106	¾"	0.71	1.87	2.13
26110	26111	1"	0.86	2.20	2.52
26115	26116	1¼"	0.98	2.80	2.99
26120	26121	1½"	1.12	2.99	3.07
26125	26126	2"	1.32	3.29	3.58

## MegaPress Tee, Carbon Steel, P x P x P - Models 4818 / 6618



Part No.		Size	A (in)	A1 (in)	L (in)	L1 (in)
MegaPress	MegaPressG	1				
25300	25301	½"	0.97	0.93	2.04	2.00
25305	25306	¾"	1.11	1.09	2.26	2.24
25310	25311	1"	1.23	1.23	2.57	2.57
25315	25316	1¼"	1.41	1.38	3.23	3.20
25320	25321	1½"	1.57	1.54	3.44	3.41
25325	25326	2"	1.81	1.80	3.78	3.77

## MegaPress Reducing Tee, Carbon Steel, P x P x P - Models 4818 / 6618



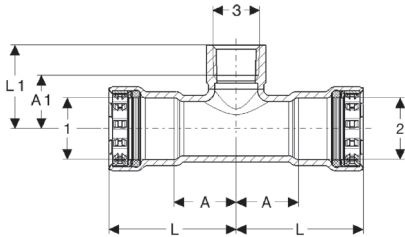
Part No.		Size	A (in)	A1 (in)	L (in)	L1 (in)
MegaPress	MegaPressG	1 2 3				
25330	25331	¾" x ¾" x ½"	1.11	1.07	2.26	2.14
25335	25336	1" x 1" x ½"	1.23	1.20	2.57	2.28
25340	25341	1" x 1" x ¾"	1.23	1.24	2.57	2.40
25510	25491	1¼" x 1¼" x ½"	1.41	1.35	3.23	2.42
25515	25496	1¼" x 1¼" x ¾"	1.41	1.39	3.23	2.55
25350	25351	1¼" x 1¼" x 1"	1.41	1.38	3.23	2.73
25360	25361	1½" x 1½" x ½"	1.57	1.44	3.44	2.51
25365	25366	1½" x 1½" x ¾"	1.57	1.48	3.44	2.64
25370	25371	1½" x 1½" x 1"	1.57	1.48	3.44	2.83
25375	25376	1½" x 1½" x 1¼"	1.57	1.50	3.44	3.32
25380	25381	2" x 2" x ½"	1.81	1.74	3.78	2.81
25385	25386	2" x 2" x ¾"	1.81	1.80	3.78	2.95
25390	25391	2" x 2" x 1"	1.81	1.75	3.78	3.10
25395	25396	2" x 2" x 1¼"	1.81	1.78	3.78	3.60
25400	25401	2" x 2" x 1½"	1.81	1.84	3.78	3.71

# Submittal Package

**viega**

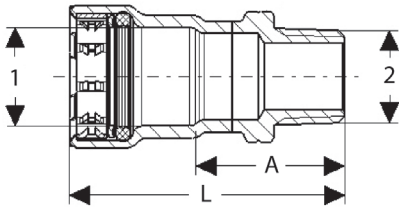


## MegaPress Reducing Tee, Carbon Steel, P x P x FPT - Models 4817.2 / 6617.2



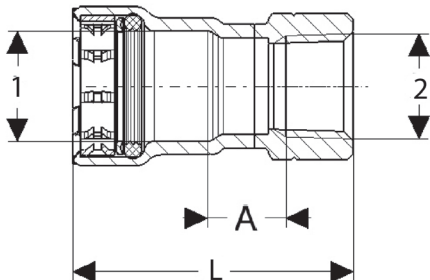
Part No.		Size	A (in)	A1 (in)	L (in)	L1 (in)
MegaPress	MegaPressG	1 2 3				
25405	25406	¾" x ¾" x ½"	1.11	1.02	2.26	1.55
25480	25481	¾" x ¾" x ¾"	1.11	1.02	2.26	1.58
25410	25411	1" x 1" x ½"	1.23	1.19	2.57	1.73
25415	25416	1" x 1" x ¾"	1.23	1.18	2.57	1.73
25485	25486	1¼" x 1¼" x ½"	1.41	1.31	3.23	1.85
25505	25506	1¼" x 1¼" x ¾"	1.41	1.33	3.23	1.89
25500	25501	1¼" x 1¼" x 1"	1.41	1.37	3.23	2.03
25435	25436	1½" x 1½" x ½"	1.57	1.42	3.44	1.95
25440	25441	1½" x 1½" x ¾"	1.57	1.41	3.44	1.97
25445	25446	1½" x 1½" x 1"	1.57	1.57	3.44	2.24
25450	25451	1½" x 1½" x 1¼"	1.57	1.47	3.44	2.15
25455	25456	2" x 2" x ½"	1.81	1.70	3.78	2.24
25460	25461	2" x 2" x ¾"	1.81	1.72	3.78	2.28
25465	25466	2" x 2" x 1"	1.81	1.89	3.78	2.55
25470	25471	2" x 2" x 1¼"	1.81	1.77	3.78	2.45
25475	25476	2" x 2" x 1½"	1.81	1.73	3.78	2.41

## MegaPress Adapter, Carbon Steel, P x MPT - Models 4811 / 6611



Part No.		Size	A (in)	L (in)
MegaPress	MegaPressG	1 2		
25100	25101	½" x ½"	1.45	2.52
25105	25106	¾" x ¾"	1.50	2.66
25110	25111	1" x 1"	1.66	3.00
25115	25116	1¼" x 1¼"	1.82	3.64
25120	25121	1½" x 1½"	1.93	3.80
25125	25126	2" x 2"	1.93	3.90

## MegaPress Adapter, Carbon Steel, P x FPT - Models 4812 / 6612

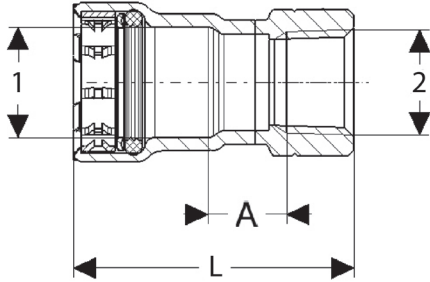


Part No.		Size	A (in)	L (in)
MegaPress	MegaPressG	1 2		
25130	25131	½" x ½"	0.69	2.29
25135	25136	¾" x ¾"	0.74	2.45
25140	25141	1" x 1"	0.73	2.74
25145	25146	1¼" x 1¼"	0.69	3.19
25150	25151	1½" x 1½"	0.72	3.27
25155	25156	2" x 2"	0.76	3.42

# Submittal Package

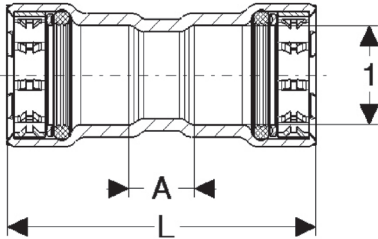


## MegaPress Reducing Adapter, Carbon Steel, P x FPT - Models 4812 / 6612



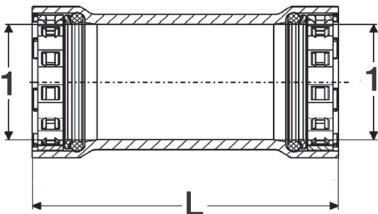
Part No.		Size	A (in)	L (in)
MegaPress	MegaPressG	1 2		
25575	25576	¾" x ½"	0.73	2.43
25580	25581	1" x ½"	1.03	2.91
25585	25586	1" x ¾"	0.78	2.68
25590	25591	1¼" x ½"	1.12	3.47
25595	25596	1¼" x ¾"	1.11	3.48
25600	25601	1¼" x 1"	0.76	3.24
25605	25606	1½" x ½"	1.31	3.72
25610	25611	1½" x ¾"	1.27	3.70
25615	25616	1½" x 1"	1.11	3.64
25620	25621	1½" x 1¼"	0.86	3.41
25625	25626	2" x ½"	1.56	4.06
25630	25631	2" x ¾"	1.54	4.06
25635	25636	2" x 1"	1.35	3.98
25640	25641	2" x 1¼"	1.28	3.93
25645	25646	2" x 1½"	1.03	3.68

## MegaPress Coupling with Stop, Carbon Steel, P x P - Models 4815 / 6615



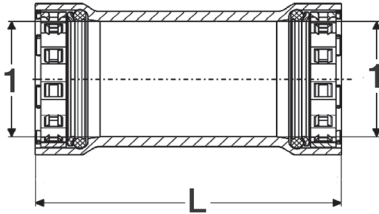
Part No.		Size	A (in)	L (in)
MegaPress	MegaPressG	1		
25000	25001	½"	0.56	2.70
22005	22009	¾"	0.63	2.94
25010	25011	1"	0.57	3.26
25015	25016	1¼"	0.70	4.34
25020	25021	1½"	0.89	4.63
25025	25026	2"	0.77	4.71

## MegaPress Coupling No Stop, Carbon Steel, P x P - Models 4815.5 / 6615.5



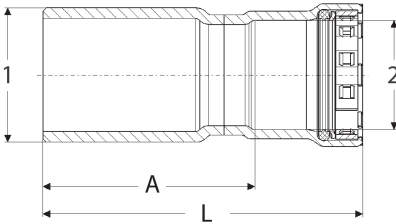
Part No.		Size	L (in)
MegaPress	MegaPressG	1	
25030	25031	½"	2.70
25035	25036	¾"	2.94
25040	25041	1"	3.29
25045	25046	1¼"	4.31
25050	25051	1½"	4.63
25055	25056	2"	4.71

# Submittal Package



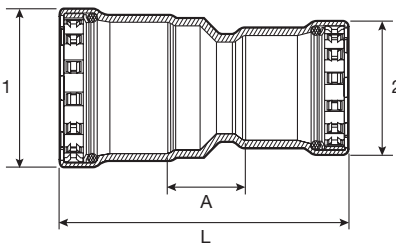
MegaPress Extended No Stop Coupling, Carbon Steel, P x P - Models 4815.3 / 6615.3

Part No.		Size	L (in)
MegaPress	MegaPressG	1	
25070	25071	1/2"	3.82
25075	25076	3/4"	4.00
25080	25081	1"	4.38
25085	25086	1 1/4"	5.33
25090	25091	1 1/2"	5.44
25095	25096	2"	5.63



MegaPress Reducer, Carbon Steel, FTG x P - Models 4815.1 / 6615.1

Part No.		Size	A (in)	L (in)
MegaPress	MegaPressG	1 2		
26000	26001	3/4" x 1/2"	1.78	2.85
26005	26006	1" x 1/2"	2.14	3.21
26010	26011	1" x 3/4"	2.09	3.24
26015	26016	1 1/4" x 1"	2.63	3.98
26020	26021	1 1/2" x 3/4"	2.98	4.13
26025	26031	1 1/2" x 1"	2.81	4.16
26030	26026	1 1/2" x 1 1/4"	2.70	4.52
26035	26036	2" x 1"	3.14	4.49
26040	26041	2" x 1 1/4"	3.02	4.83
26045	26046	2" x 1 1/2"	2.96	4.83



MegaPress Reducer, Carbon Steel, P x P - Models 4815.2 / 6615.2

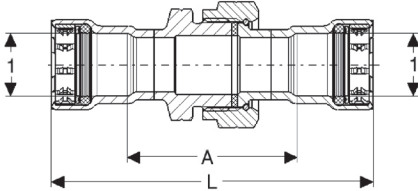
Part No.		Size	A (in)	L (in)
MegaPress	MegaPressG	1 2		
25930	25931	3/4" x 1/2"	1.20	3.43
25935	25936	1" x 1/2"	1.37	3.79
25940	25941	1" x 3/4"	1.24	3.74
25945	25946	1 1/4" x 3/4"	1.40	4.37
25950	25951	1 1/4" x 1"	1.23	4.39
25955	25956	1 1/2" x 1 1/4"	1.21	4.90
25960	25961	2" x 1 1/4"	1.45	5.27
25965	25966	2" x 1 1/2"	1.43	5.26

# Submittal Package

**viega**

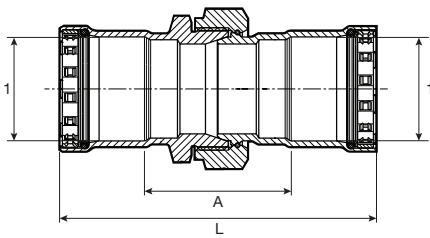


## MegaPress Union, Carbon Steel, P x P - Model 4860



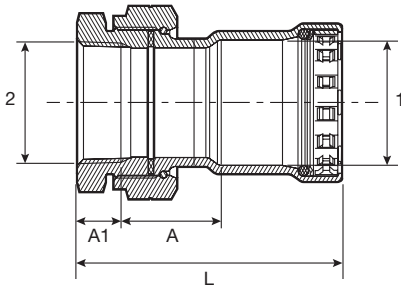
Part No.	Size	A (in)	L (in)
<b>MegaPress</b>	<b>1</b>		
25700	1/2"	2.35	4.50
25705	3/4"	2.67	4.99
25710	1"	2.65	5.34
25715	1 1/4"	2.84	6.48
25720	1 1/2"	2.89	6.63
25725	2"	3.66	7.60

## MegaPress Union, Carbon Steel, P x P - Model 6660



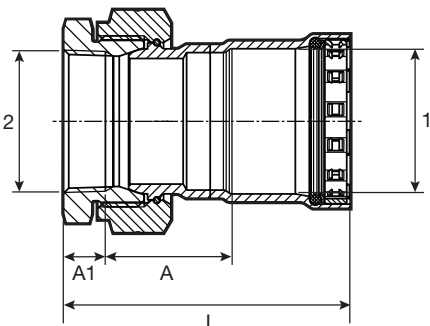
Part No.	Size	A (in)	L (in)
<b>MegaPressG</b>	<b>1</b>		
25701	1/2"	2.33	4.47
25706	3/4"	2.67	4.98
25711	1"	2.60	5.29
25716	1 1/4"	2.85	6.49
25721	1 1/2"	2.90	6.64
25726	2"	3.41	7.35

## MegaPress Union, Carbon Steel, P x FPT - Model 4862



Part No.	Size	A (in)	A1 (in)	L (in)
<b>MegaPress</b>	<b>1 2</b>			
25650	1/2" x 1/2"	1.25	0.54	2.85
25655	3/4" x 3/4"	1.48	0.56	3.20
25660	1" x 1"	1.37	0.66	3.38
25665	1 1/4" x 1 1/4"	1.53	0.68	4.03
25670	1 1/2" x 1 1/2"	1.55	0.68	4.10
25675	2" x 2"	2.33	0.70	5.00

## MegaPress Union, Carbon Steel, P x FPT - Model 6662



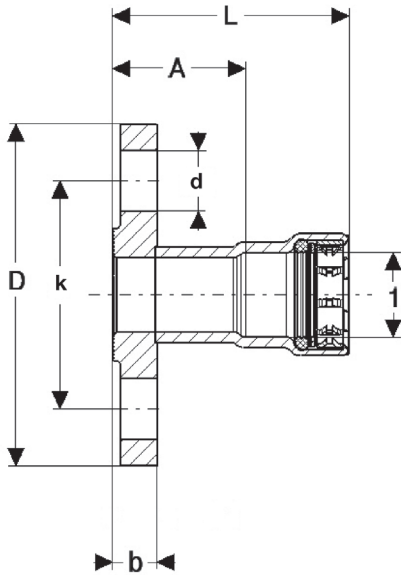
Part No.	Size	A (in)	A1 (in)	L (in)
<b>MegaPressG</b>	<b>1 2</b>			
25651	1/2" x 1/2"	1.38	0.54	2.98
25656	3/4" x 3/4"	1.64	0.56	3.35
25661	1" x 1"	1.62	0.66	3.63
25666	1 1/4" x 1 1/4"	1.85	0.68	4.35
25671	1 1/2" x 1 1/2"	1.80	0.68	4.35
25676	2" x 2"	2.11	0.70	4.77

Viega LLC • 585 Interlocken Blvd. • Broomfield, CO 80021 • Phone (800) 976-9819 • www.viega.us



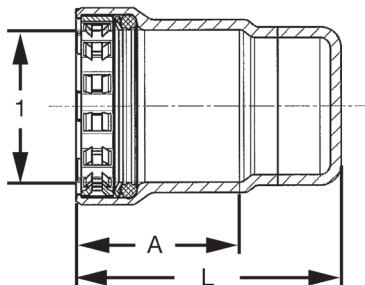
# Submittal Package

**viega**



**MegaPress Flange, Carbon Steel, P x BP - Models 4859.5 / 6659.5**

Part No.		Size	A (in)	L (in)	b (in)	k (in)	D (in)	d (in)
MegaPress	MegaPressG	1						
25760	25761	1/2"	1.37	2.44	0.46	2.36	3.54	0.63
25765	25766	3/4"	1.44	2.60	0.52	2.76	3.94	0.63
25770	25771	1"	1.61	2.96	0.58	3.11	4.33	0.63
25775	25776	1 1/4"	1.76	3.57	0.64	3.50	4.53	0.63
25780	25781	1 1/2"	1.93	3.80	0.70	3.86	4.92	0.63
25785	25786	2"	1.93	3.90	0.77	4.76	5.91	0.75



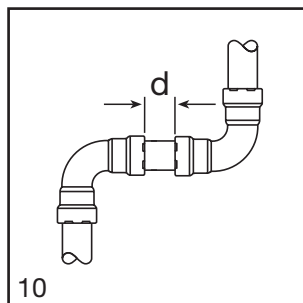
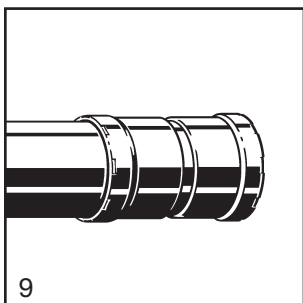
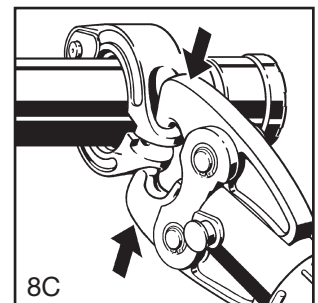
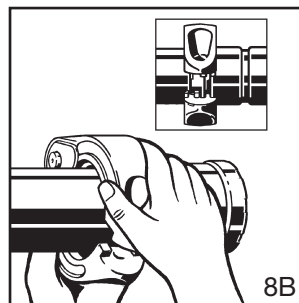
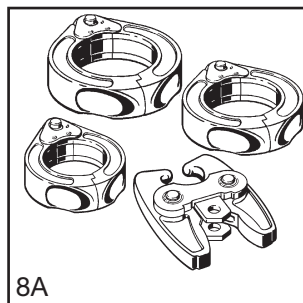
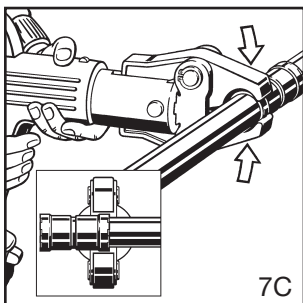
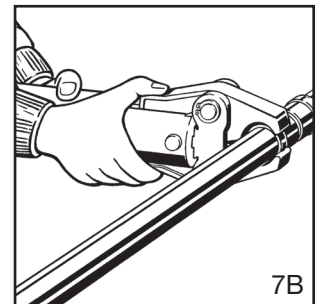
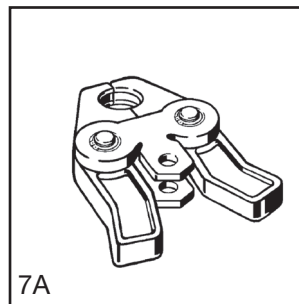
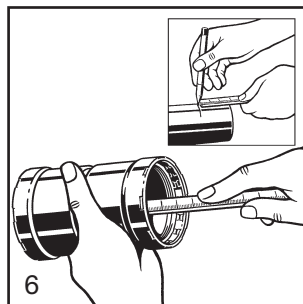
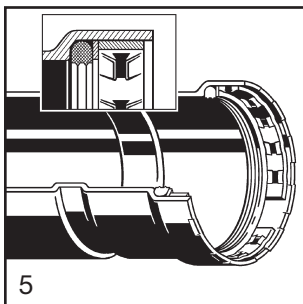
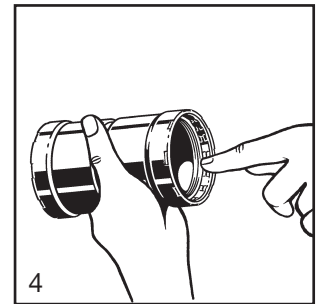
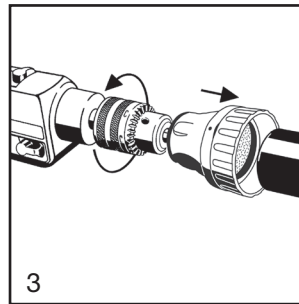
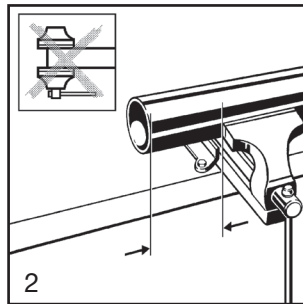
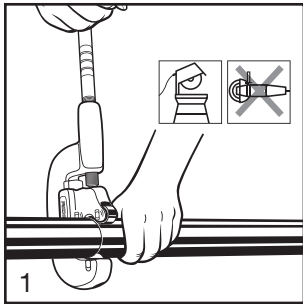
**MegaPress Cap, Carbon Steel, P x Cap - Models 4856 / 6656**

Part No.		Size	A (in)	L (in)
MegaPress	MegaPressG	1		
25730	25731	1/2"	1.07	2.14
25735	25736	3/4"	1.16	2.26
25740	25741	1"	1.35	2.43
25745	25746	1 1/4"	1.82	2.95
25750	25751	1 1/2"	1.87	3.07
25755	25756	2"	1.97	3.09

# Submittal Package



## Product Instructions



Pipe Diameter Diámetro del Tubo / Diamètre du Tuyau	d (in)	d (mm)
1/2"	3/16	5
3/4"	3/16	5
1"	3/16	5
1 1/4"	3/8	10
1 1/2"	3/8	10
2"	3/8	10

# Submittal Package

viiega

## Viega MegaPress Limited Warranty

Subject to the conditions and limitations in this Limited Warranty, Viega LLC (Viega) warrants to end users, installers, and distribution houses that its Viega MegaPress metal press fittings (Viega Product) with application appropriate sealing element when properly installed in non-industrial and non-marine applications and under normal conditions of use shall be free from failure caused by manufacturing defects for a period of ten (10) years from date of installation in Viega MegaPress Approved Applications for fluids/water, oil and lubricant, and gases under Viega specified system operating conditions.

Under this Limited Warranty, you only have a right to a remedy if the failure or leak resulted from a manufacturing defect in the Viega Product and the failure or leak occurs during the warranty period. You do not have a remedy under this warranty and the warranty remedy does not apply if the failure or any resulting damage is caused by (1) components other than those manufactured or sold by Viega, such as black iron pipe; (2) not designing, installing, inspecting, testing, or maintaining the Viega Product in accordance with Viega's installation and product instructions in effect at the time of installation and other specifications and approvals applicable to the installation; (3) use of Viega Product under non recommended system operating conditions, improper handling and protection of the Viega Product prior to, during and after installation, inadequate freeze protection, or exposure to environmental conditions not recommended for the application; or (4) acts of nature, such as, but not limited to, earthquakes, fire, or weather damage. In the event of a leak or other failure of the Viega Product covered by this warranty, it is the responsibility of the end user to take appropriate measures to mitigate any damage, to include making timely repairs. Only if the warranty applies will Viega be responsible for the remedy under this warranty. The part or parts which you claim failed should be kept and Viega contacted by writing to the address below or telephoning 1-800-976-9819 within thirty (30) calendar days after the leak or other failure and identifying yourself

as having a warranty claim. You should be prepared to ship, at your expense, the product which you claim failed due to a manufacturing defect, document the date of installation, and the amount of the repair or replacement if performed by you. Within a reasonable time after receiving the product, Viega will investigate the reasons for the failure, which includes the right to inspect the product at a Viega location and reasonable access to the site of damage. Viega will notify you in writing as to the results of its review.

In the event that Viega determines that the failure or leak was the result of a manufacturing defect in the Viega Product covered by this warranty and this warranty applies, the EXCLUSIVE AND ONLY REMEDY under this warranty shall be the reimbursement for reasonable charges for repair or replacement of the Viega Product itself. VIEGA SHALL NOT BE LIABLE FOR ANY CONSEQUENTIAL OR OTHER DAMAGE (FOR EXAMPLE, ECONOMIC LOSS, WATER OR PROPERTY OR MOLD REMEDIATION) UNDER ANY LEGAL THEORY AND WHETHER ASSERTED BY DIRECT ACTION, FOR CONTRIBUTION OR INDEMNITY OR OTHERWISE.

THE ABOVE WARRANTY IS IN LIEU OF ALL OTHER WARRANTIES, EXPRESS OR IMPLIED, INCLUDING, BUT NOT LIMITED TO, THE IMPLIED WARRANTIES OF MERCHANTABILITY AND FITNESS FOR A PARTICULAR PURPOSE OR ANY STATUTE OF LIMITATIONS RELATING TO SUCH WARRANTIES. Other than this Limited Warranty, Viega does not authorize any person or firm to create for it any other obligation or liability in connection with its products.

This Limited Warranty gives you specific legal rights and you also may have other rights which may vary from state to state. This warranty shall be interpreted and applied under the law of the state in which the product is installed and is intended as a COMMERCIAL WARRANTY.

**Viega products are designed to be installed by licensed and trained plumbing and mechanical professionals who are familiar with Viega products and their installation. *Installation by non-professionals may void Viega LLC's warranty.***

This document is subject to updates. For the most current Viega technical literature please visit [www.viega.us](http://www.viega.us).

**Viega LLC • 585 Interlocken Blvd. • Broomfield, CO 80021 • Phone (800) 976-9819 • [www.viega.us](http://www.viega.us)**