

Submittal Package

viEGA



Viega PureFlow Press Zero Lead Fittings with Attached Sleeves For Use with Viega PureFlow PEX Tubing

Project:

Engineer:

Contractor:

Submitted By:

- Potable Water
- Residential Fire Sprinkler
- Other _____

Submittal Package

viiega

Viega PureFlow Press Zero Lead Fittings with Attached Sleeves For Use with Viega PureFlow PEX Tubing

Technical Data

Materials:

Fittings	Zero Lead Bronze alloy
Press Sleeves	304 Stainless Steel
MANABLOC Manifolds	Zero Lead Bronze alloy Fittings
Viega PureFlow PEX Tubing	PEX (crosslinked polyethylene)
FostaPEX Tubing	PEX base tubing with aluminum and PE outer layers
Viega PureFlow PEX tubing with corrugated sleeving.....	PEX (crosslinked polyethylene) with polypropylene sleeve

Applications

Zero Lead Bronze alloy fittings are intended for use in potable water systems, heating or snow melting applications and residential fire sprinkler systems meeting the NFPA 13D.* Zero Lead Bronze is dezincification resistant, resists aggressive water conditions and can be directly buried in soil (fittings used for repairs in concrete should be wrapped). These fittings with attached sleeves incorporate a color-coded tool locator ring that matches Viega's hand PureFlow Press tool colors. Fittings are manufactured with PureFlow PureFlow Press barbs for use with Viega PureFlow PEX, FostaPEX, Barrier tubing and tools.

Installation

- Use only PureFlow tubing and approved tools to make connections
 - Keep flame and excessive heat away from tubing and connections.
 - Refer to the PureFlow Installation Manual for additional information.
- ZERO LEAD identifies Viega products meeting the lead free requirements of California and Vermont law, effective January 1, 2010, as tested and listed against NSF- 61, Annex G

* Viega PureFlow PEX Black in 3/4" through 2" sizes only.

Codes Approvals & Standards

UL 1821*

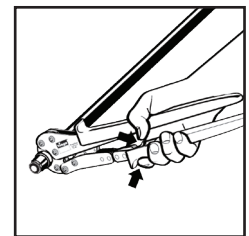
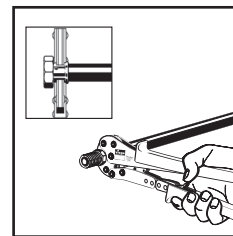
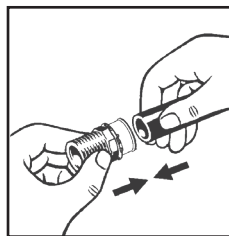
cNSF® us-pw-G

CSA B137.5

U.P. Code

ASTM F876 / F877

ICC ES-PMG™ 1015/1038



THREE SIMPLE STEPS TO A SECURE PUREFLOW PRESS FITTING CONNECTION.

- 1 INSERT PUREFLOW PRESS FITTING WITH ATTACHED SLEEVE INTO TUBING AND ENGAGE FULLY. TUBING SHOULD BE VISIBLE THROUGH VIEW HOLES.
- 2 POSITION PRESS TOOL PERPENDICULAR OVER PRESS SLEEVE AND CLOSE TOOL JAWS TO ENGAGE RATCHET.
- 3 CLOSE HANDLES, USING TRIGGER TO REDUCE GRIP SPAN IF DESIRED.

Note: Use of a Viega power tool is required for making 1 1/4" and larger connections, refer to the current PureFlow water systems installation manual for additional pressing information.

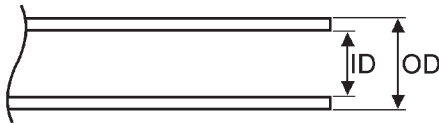
Submittal Package



Viega PureFlow Press Zero Lead Fittings with Attached Sleeves For Use with Viega PureFlow PEX Tubing

Viega PureFlow PEX Tubing

Material..... PEX crosslinked polyethylene
 Temperature/Pressure Ratings 200°F at 80 psi
 180°F at 100 psi
 73.4°F at 160 psi
 Linear Expansion Rate 1.1 in./100 ft./10°F

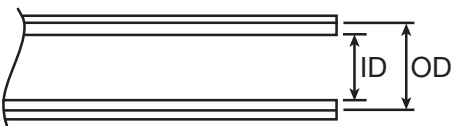


Nominal Size	Inner Diameter	Outer Diameter	Wall Thickness
3/8"	0.35	0.500±.003	0.070±.010
1/2"	0.48	0.625±.004	0.070±.010
3/4"	0.67	0.875±.004	0.097±.010
1"	0.86	1.125±.005	0.125±.013
1 1/4"	1.05	1.375±.005	0.153±.015
1 1/2"	1.24	1.625±.006	0.181±.019
2"	1.63	2.125±.006	0.236±.024

NOTE: Dimensions are in English units. Tolerances shown are ASTM requirements. Viega PureFlow PEX is manufactured within these specifications.

FostaPEX Tubing

Material..... PEX crosslinked polyethylene with aluminum and PE outer layers
 Temperature/Pressure Ratings 200°F at 80 psi
 180°F at 100 psi
 73.4°F at 160 psi
 Linear Expansion Rate 0.16 in./100 ft./10°F



Nominal Size	Inner Diameter	Outer Diameter	Wall Thickness
1/2"	0.48	0.625±.004	0.070±.010
3/4"	0.67	0.875±.004	0.097±.010
1"	0.86	1.125±.005	0.125±.013

NOTE: Dimensions are in English units. Tolerances shown are ASTM requirements. FostaPEX is manufactured within these specifications. (These dimensions do not reflect the outer aluminum and PE layers.)

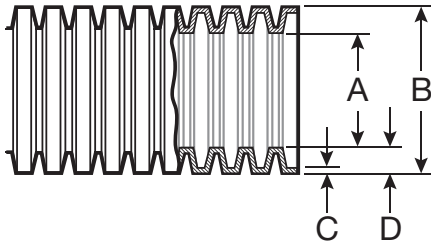
Submittal Package



Viega PureFlow Press Zero Lead Fittings with Attached Sleeves For Use with Viega PureFlow PEX Tubing

Viega PureFlow PEX tubing with corrugated sleeving

Material..... PEX crosslinked polyethylene with polypropylene sleeve
 Temperature/Pressure Ratings..... 200°F at 80 psi, 180°F at 100 psi, 73.4°F at 160 psi
 Linear Expansion Rate 1.1 in./100 ft./10°F



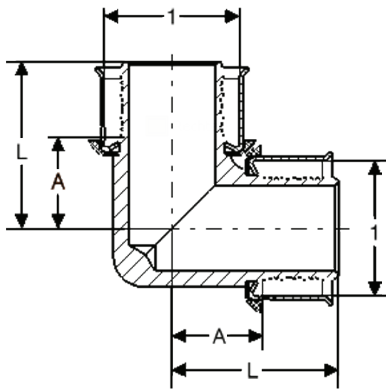
Part No.	Size	Color	A (in)	B (in)	C (in)	D (in)
32812	1/2" x 300'	Red	1.03	1.27	0.03	0.12
32813		Blue	1.03	1.27	0.03	0.12
32810	3/4" x 300'	Red	1.22	1.47	0.04	0.13
32811		Blue	1.22	1.47	0.04	0.13

NOTE: Viega PureFlow PEX inside sleeve will have dimensions consistent with those listed previously under Viega PureFlow PEX tubing.

Submittal Package

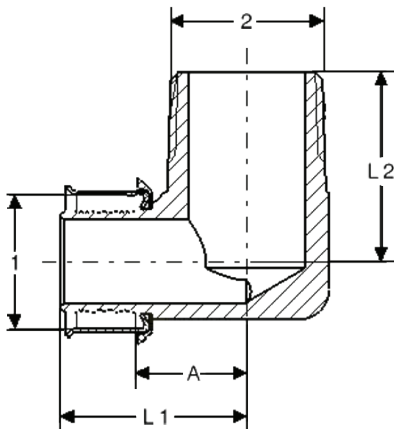
viega

Viega® PureFlow Press Zero Lead* Fittings with Attached Sleeves



Viega PureFlow Press 90° Elbow Zero Lead Bronze - Model 2816ZL

Part No	Dimensions 1	A (in)	L (in)
93520	1/2"	0.47	0.97
93530	5/8"	0.59	1.09
93540	3/4"	0.59	1.09
93560	1"	0.88	1.50
93570	1 1/4"	0.95	1.81
93580	1 1/2"	1.14	2.01
93590	2"	1.33	2.38



Viega PureFlow Press 90° Elbow Zero Lead Bronze P x MPT - Model 2814ZL

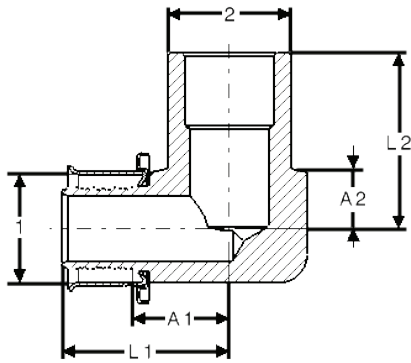
Part No	Dimensions 1 x 2	A (in)	L1 (in)	L2 (in)
92520	1/2" x 1/2" MPT	0.64	1.13	1.06
92525	1/2" x 3/4" MPT	0.74	1.24	1.14
92540	3/4" x 3/4" MPT	0.74	1.24	1.13
92545	3/4" x 1" MPT	0.98	1.48	1.61
92560	1" x 1" MPT	0.98	1.60	1.61
92565	3/4" x 1 1/4" MPT	1.32	1.81	1.67
92570	1" x 1 1/4" MPT	1.31	1.93	1.67
92757	1 1/4" x 1 1/4" MPT	1.32	2.19	1.67
92580	1 1/2" x 1 1/2" MPT	1.34	2.21	1.73
92590	2" x 2" MPT	1.65	2.70	2.07

*Zero Lead identifies Viega® products meeting the lead free requirements of NSF 61-G through testing under NSF/ANSI 372 (0.25% or less maximum weighted average lead content).

Viega LLC • 585 Interlocken Blvd. • Broomfield, CO 80021 • Phone (800) 976-9819 • www.viega.us

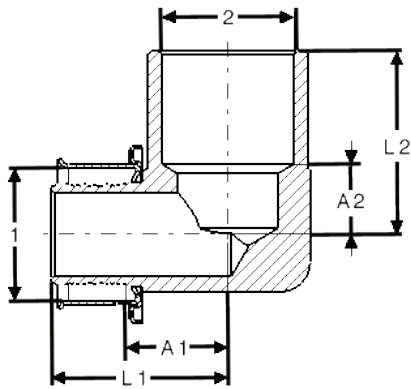
Submittal Package

viega



Viega PureFlow Press 90° Elbow Zero Lead Bronze P x Street - Model 2814.6ZL

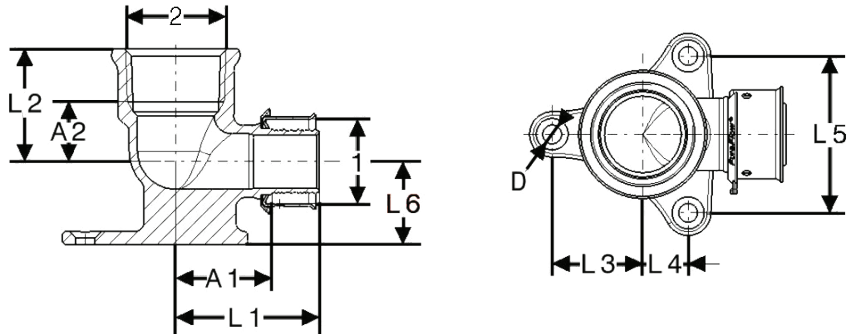
Part No	Dimensions 1 x 2	A1 (in)	A2 (in)	L1 (in)	L2 (in)
99310	1/2" x 1/2"	0.58	0.47	1.07	1.06
99307	1/2" x 3/4"				
99311	3/4" x 3/4"				



Viega PureFlow Press 90° Elbow Zero Lead Bronze P x FTG - Model 2814.7ZL, 2815.5ZL

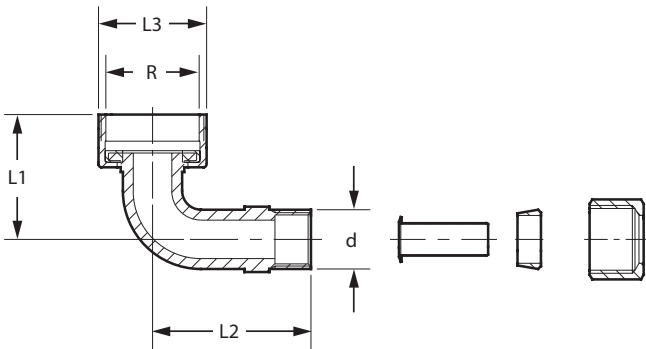
Part No	Dimensions 1 x 2	A1 (in)	A2 (in)	L1 (in)	L2 (in)
99307	1/2" x 1/2"	0.71	0.72	1.20	1.23
99308	1/2" x 3/4"	0.68	0.47	1.18	1.22
99313	5/8" x 1/2"	0.68	0.72	1.18	1.23
99312	5/8" x 3/4"	0.68	0.48	1.18	1.23
99311	3/4" x 1/2"	0.71	0.72	1.20	1.23
99309	3/4" x 3/4"	0.68	0.47	1.18	1.22

Submittal Package



Viega PureFlow Press 90° Elbow Drop Ear Zero Lead Bronze P x FPT - Model 2825.5ZL

Part No	Dimensions 1 x 2	A1 (in)	A2 (in)	L1 (in)	L2 (in)	L3 (in)	L4 (in)	L5 (in)	L6 (in)	D (in)
94505	3/8" x 1/2"	0.88	0.45	1.38	0.98	0.79	0.39	1.36	0.87	0.20
94520	1/2" x 1/2"	0.88	0.45	1.38	0.98	0.79	0.39	1.36	0.87	0.20
94535	3/4" x 1/2"	0.88	0.53	1.38	1.06	0.79	0.39	1.36	0.87	0.20
94540	3/4" x 3/4"	1.00	0.63	1.50	1.18	0.95	0.47	1.64	0.87	0.20

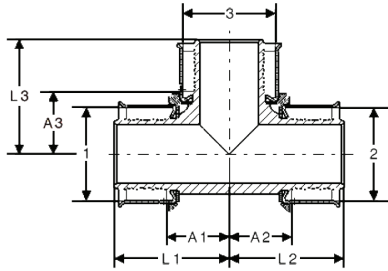


Viega PureFlow Press Compression 90° Elbow Zero Lead Copper CTS x Hose - Model V5053

Part Number	Size	L1 (in)	L2 (in)	L3 (in)
	d x R			
46743	3/8" CTS (1/2" O.D.) comp x 3/4" Hose	1.32	1.67	1.14

Submittal Package

viega

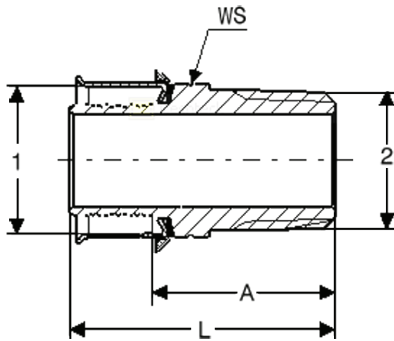


Viega PureFlow Press Tee Zero Lead Bronze P x P x P - Model 2818ZL

Part No	Dimensions 1 x 2 x 3	A1 (in)	A2 (in)	A3 (in)	L1 (in)	L2 (in)	L3 (in)
94020	1/2"	0.47	0.47	0.47	0.97	0.97	0.97
94021	1/2" x 3/8" x 3/8"	0.47	0.47	0.47	0.97	0.97	0.97
94022	1/2" x 1/2" x 3/4"	0.62	0.62	0.59	1.12	1.12	1.09
94030	5/8"	0.59	0.59	0.59	1.09	1.09	1.09
94040	3/4"	0.59	0.59	0.59	1.09	1.09	1.09
94032	3/4" x 1/2" x 1/2"	0.59	0.59	0.62	1.09	1.09	1.12
94034	3/4" x 1/2" x 3/4"	0.59	0.62	0.59	1.09	1.12	1.09
94036	3/4" x 3/4" x 1/2"	0.59	0.59	0.62	1.09	1.09	1.12
94060	1"	0.88	0.88	0.88	1.50	1.50	1.50
94037	1" x 1/2" x 1/2"	0.58	0.59	0.82	1.20	1.08	1.32
94039	1" x 1/2" x 1"	0.76	0.74	0.76	1.38	1.24	1.38
94038	1" x 3/4" x 1/2"	0.58	0.59	0.82	1.20	1.08	1.32
94052	1" x 3/4" x 3/4"	0.80	0.76	0.84	1.40	1.26	1.34
94053	1" x 3/4" x 1"	0.76	0.71	0.76	1.38	1.20	1.38
94050	1" x 1" x 1/2"	0.68	0.68	0.84	1.30	1.30	1.34
94056	1" x 1" x 3/4"	0.80	0.80	0.84	1.42	1.42	1.34
94070	1 1/4"	1.00	1.00	1.00	1.87	1.87	1.87
94071	1 1/4" x 1" x 3/4"	0.73	0.74	0.98	1.59	1.36	1.48
94073	1 1/4" x 1" x 1"	0.81	0.82	0.99	1.67	1.44	1.61
94072	1 1/4" x 1 1/4" x 3/4"	0.79	0.73	0.99	1.59	1.59	1.48
94074	1 1/4" x 1 1/4" x 1"	0.81	0.81	0.99	1.67	1.67	1.61
94080	1 1/2"	1.14	1.14	1.14	2.01	2.01	2.01
94081	1 1/2" x 1" x 3/4"	0.73	0.66	1.13	1.59	1.28	1.62
94082	1 1/2" x 1" x 1"	0.85	0.86	1.13	1.71	1.48	1.75
94083	1 1/2" x 1 1/2" x 3/4"	0.73	0.73	1.13	1.59	1.59	1.62
94084	1 1/2" x 1 1/2" x 1"	0.85	0.85	1.19	1.71	1.71	1.81
94085	1 1/2" x 1 1/2" x 1 1/4"	0.98	0.98	1.14	1.85	1.85	2.00
94090	2"	1.33	1.33	1.33	2.38	2.38	2.38
94091	2" x 1 1/2" x 1"	1.34	1.36	1.35	2.38	2.22	1.97
94092	2" x 1 1/2" x 1 1/4"	1.34	1.36	1.40	2.38	2.22	2.26
94093	2" x 1 1/2" x 1 1/2"	1.34	1.36	1.40	2.38	2.22	2.26

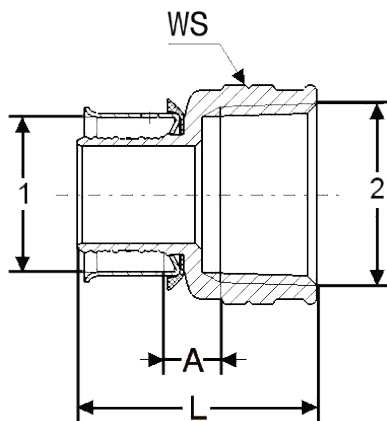
Submittal Package

viega



Viega PureFlow Press Adapter Zero Lead Bronze P x MPT - Model 2811ZL

Part No	Dimensions 1 x 2	A (in)	L (in)	WS (in)
90506	3/8" x 1/2" MPT	1.14	1.63	0.87
90521	1/2" x 1/2" MPT	1.10	1.59	0.87
90526	1/2" x 3/4" MPT	1.15	1.64	1.06
90527	5/8" x 1/2" MPT	1.10	1.59	0.87
90531	5/8" x 3/4" MPT	1.15	1.64	1.06
90542	3/4" x 1/2" MPT	1.10	1.59	0.87
90541	3/4" x 3/4" MPT	1.15	1.64	1.06
90546	3/4" x 1" MPT	1.41	1.91	1.34
90562	3/4" x 1 1/4" MPT	1.65	2.10	1.73
90556	1" x 3/4" MPT	1.18	1.80	1.06
90561	1" x 1" MPT	1.41	2.03	1.34
90566	1" x 1 1/4" MPT	1.60	2.22	1.73
90571	1 1/4" x 1 1/4" MPT	1.63	2.50	1.73
90581	1 1/2" x 1 1/2" MPT	1.79	2.66	1.97
90591	2" x 2" MPT	2.08	3.13	2.44



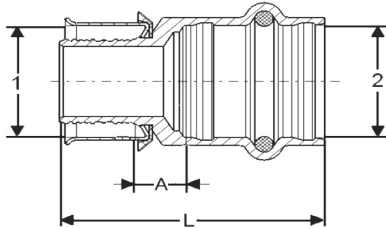
Viega PureFlow Press Adapter Zero Lead Bronze P x FPT - Model 2812ZL

Part No	Dimensions 1 x 2	A (in)	L (in)	WS (in)
91520	1/2" x 1/2" FPT	0.35	1.38	0.98
91525	1/2" x 3/4" FPT	0.37	1.42	1.20
91541*	3/4" x 1/2" FPT	0.31	1.34	0.98
91540	3/4" x 3/4" FPT	0.37	1.42	1.20
91545	1" x 3/4" FPT	0.40	1.58	1.20
91560	1" x 1" FPT	0.41	1.69	1.48
91570	1 1/4" x 1 1/4" FPT	0.58	2.13	1.85
91580	1 1/2" x 1 1/2" FPT	0.60	2.15	2.09
91590	2" x 2" FPT	0.62	2.36	2.60

*UL1821 listed for use in NFPA 13D systems

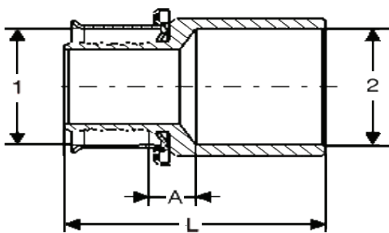
Submittal Package

viega



Viega PureFlow Press Adapter Smart Connect technology Zero Lead Bronze P x P - Model 2813PZL

Part No	Dimensions 1 x 2	A (in)	L (in)
99620	1/2" x 1/2"	0.29	1.61
99626	1/2" x 3/4"	0.43	1.83
99627	5/8" x 1/2"	0.23	1.56
99628	5/8" x 3/4"	0.33	1.73
99630	3/4" x 1/2"	0.23	1.56
99640	3/4" x 3/4"	0.33	1.73
99645	1" x 3/4"	0.35	1.87
99660	1" x 1"	0.45	1.97
99665	1 1/4" x 1"	0.49	2.26
99670	1 1/4" x 1 1/4"	0.49	2.38
99675	1 1/2" x 1"	0.59	2.36
99680	1 1/2" x 1 1/2"	0.59	2.87
99685	2" x 1"	0.73	2.68
99690	2" x 2"	0.55	2.99

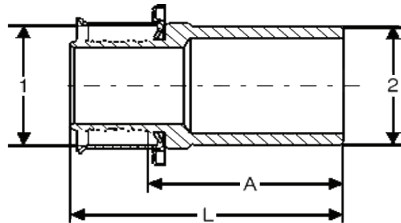


Viega PureFlow Press Adapter Zero Lead Bronze / Copper - Model 2813.5ZL

Part No	Dimensions 1 x 2	A (in)	L (in)
92006	3/8" x 1/2"	0.29	1.28
92021	1/2" x 1/2"	0.23	1.24
92026	1/2" x 3/4"	0.27	1.52
92027	5/8" x 1/2"	0.25	1.24
92031	5/8" x 3/4"	0.27	1.52
92036	3/4" x 1/2"	0.20	1.18
92041	3/4" x 3/4"	0.27	1.52
92045	3/4" x 1"	0.37	1.77
92060	1" x 1"	0.34	1.89
92070	1 1/4" x 1 1/4"	0.43	2.28
92080	1 1/2" x 1 1/2"	0.45	2.44
92090	2" x 2"	0.43	2.60

Submittal Package

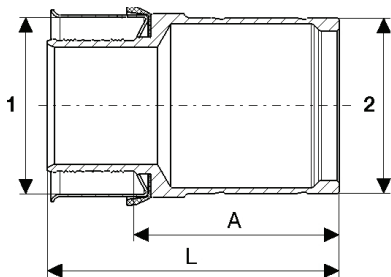
viega



Viega PureFlow Press Adapter Zero Lead Bronze P x FTG - Model 2813.1ZL

Part No	Dimensions 1 x 2	A (in)	L (in)
97520	1/2" x 1/2"	1.26	1.77
97525	1/2" x 3/4"	1.34	1.83
97530	5/8" x 1/2"	1.28	1.77
97531	5/8" x 3/4"	1.39	1.89
97535	3/4" x 1/2"	1.334	1.83
97540	3/4" x 3/4"	1.45	1.95
97545	3/4" x 1"	1.45	1.95
97560	1" x 1"	1.51	2.13
97570	1 1/4" x 1 1/4"	1.83	2.72
97580	1 1/2" x 1 1/2"	2.21	3.07
97590*	2" x 2"	2.36	3.41

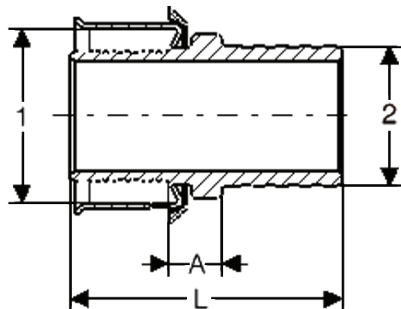
*For use with solder fittings only.



Viega PureFlow Press Adapter Zero Lead Bronze P x FTG - Model 2813.3ZL

Part No	Dimensions 1 x 2	A (in)	L (in)
97690*	2" x 2"	2.50	3.54

*For use with ProPress fittings only.

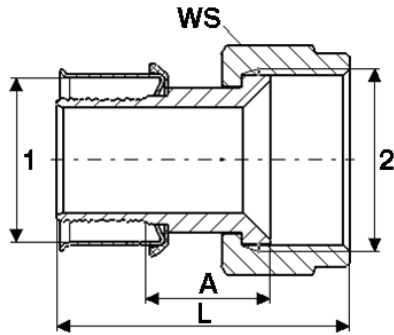


Viega PureFlow Press Adapter Zero Lead Bronze P x PB - Model 2813.2ZL

Part No	Dimensions 1 x 2	A (in)	L (in)
97820	1/2" x 1/2"	0.28	1.38
97840	3/4" x 3/4"	0.28	1.38

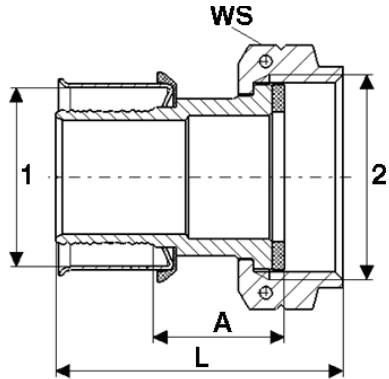
Submittal Package

viega



Viega PureFlow Press Adapter Zero Lead Bronze P x Flare - Model 2892ZL

Part No	Dimensions 1 x 2	A (in)	L (in)	WS (in)
97140	¾" x ¾" Flare	0.67	1.71	1.50
97160	1" x ¾" Flare	0.86	2.03	1.50
97165	1" x 1" Flare	0.65	1.89	1.80

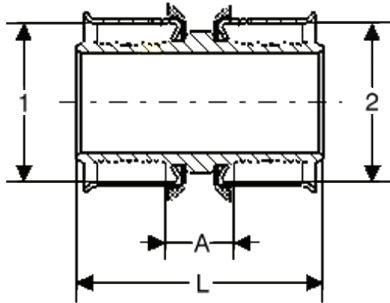


Viega PureFlow Press Tailpiece Zero Lead Bronze P x F BSP - Model 2893ZL

Part No	Dimensions 1 x 2	A (in)	L (in)	WS (in)
96140	¾" x 1" BSP	0.63	1.50	1.46
96160	1" x 1" BSP	0.84	1.83	1.46
96165	1" x 1¼" BSP	0.78	1.80	1.81

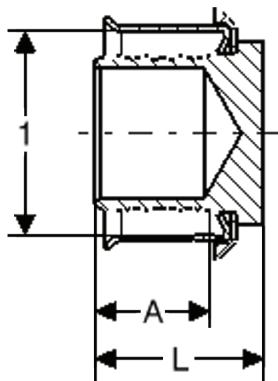
Submittal Package

viega



Viega PureFlow Press Coupling Zero Lead Bronze P x P - Model 2815ZL

Part No	Dimensions 1 x 2	A (in)	L (in)
93001	5/16"	0.40	1.38
93000	3/8"	0.40	1.38
93020	1/2"	0.40	1.38
93050	1/2" x 3/4"	0.40	1.38
93030	5/8"	0.40	1.38
93040	3/4"	0.40	1.38
93055	3/4" x 1"	0.46	1.58
93071	3/4" x 1 1/4"	0.51	1.87
93072	3/4" x 1 1/2"	0.51	1.87
93060	1"	0.46	1.69
93065	1" x 1 1/4"	0.54	2.03
93073	1" x 1 1/2"	0.54	2.03
93070	1 1/4"	0.67	2.40
93075	1 1/4" x 1 1/2"	0.59	2.32
93080	1 1/2"	0.67	2.40
93090	2"	0.66	2.76
93091	2" x 1 1/2"	0.69	2.60

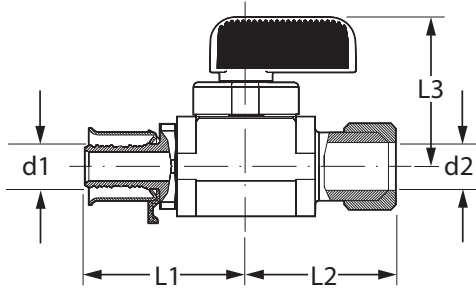


Viega PureFlow Press Test Plug Zero Lead Bronze - Model 2856ZL

Part No	Dimensions 1	A (in)	L (in)
95000	3/8"	0.48	0.73
95121	1/2"	0.48	0.73
95131	5/8"	0.48	0.73
95141	3/4"	0.48	0.73
95161	1"	0.62	0.93

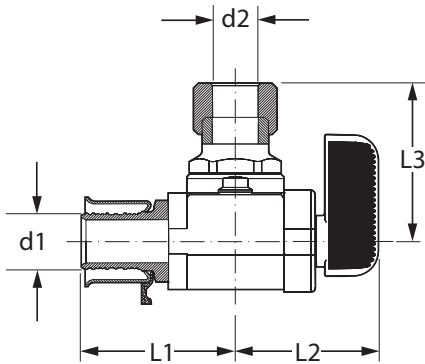
Submittal Package

viega



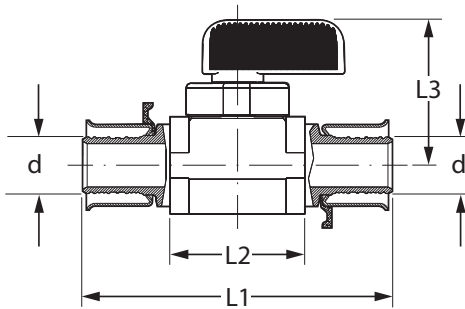
Viega PureFlow Press Stop Valve Straight Zero Lead Chrome Plated Brass P x CTS ¼ Turn - Model 2842.3ZL

Part No	Size	L1 (in)	L2 (in)	L3 (in)
	d1 x d2			
94023	3/8" x 1/4" CTS (3/8" OD) Comp	2.53	1.2	1.2
94031	1/2" x 1/4" CTS (3/8" OD) Comp	2.51	1.2	1.2



Viega PureFlow Press Stop Valve Angled Zero Lead Chrome Plated Brass P x CTS ¼ Turn - Model 2842.4ZL

Part No	Size	L1 (in)	L2 (in)	L3 (in)
	d1 x d2			
93515	3/8" x 1/4" CTS (3/8" OD) Comp	2.51	1.03	1.2
93511	1/2" x 1/4" CTS (3/8" OD) Comp	2.51	1.03	1.2

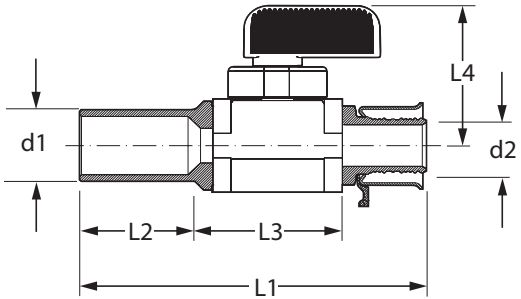


Viega PureFlow Press Ball Valve Zero Lead Brass P x P - Model 2842.2ZL

Part No	Size	L1 (in)	L2 (in)	L3 (in)
	d			
94500	3/8"	2.62	1.2	1.2
94521	1/2"	2.59	1.2	1.2
94541	3/4"	2.72	1.3	1.3

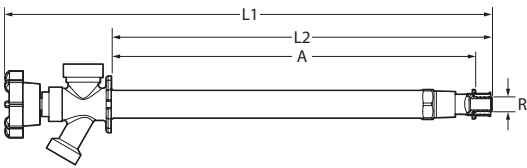
Submittal Package

viega



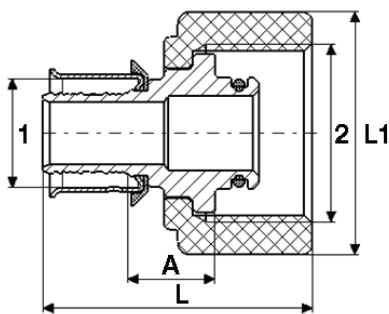
Viega ProPress Valve Zero Lead Brass P x FTG - Model 2842.1ZL

Part No	Size	L1 (in)	L2 (in)	L3 (in)	L4 (in)
	d1 x d2				
95002	1/2" x 1/2" FTG	3.01	1.2	1.1	1.2



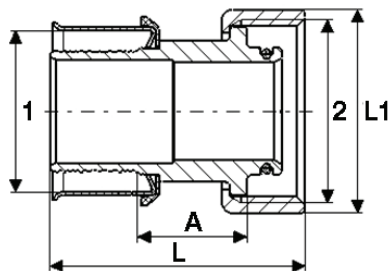
Viega PureFlow Press Wall Hydrant Zero Lead Chrome Plated Brass - Model 2888.0ZL

Part Number	Dimensions			
	A	L1	L2	R
97120	11.7"	15.6"	12.2"	1/2"
97121	11.8"	15.7"	12.3"	3/4"



Viega PureFlow Press Port Adapter Zero Lead Bronze P x ManaBloc Port - Model 2877.3ZL

Part No	Dimensions 1 x 2	Dimensions		
		A (in)	L (in)	L1 (in)
96101	3/8" x 1/2" Port	0.51	1.58	1.42
96120	1/2" x 1/2" Port	0.51	1.58	1.42

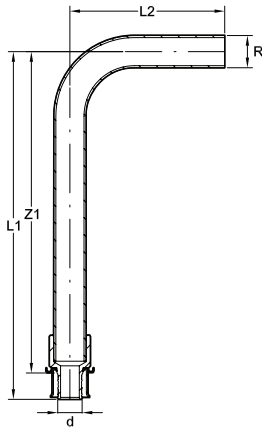


Viega PureFlow Press Supply Adapter Zero Lead Bronze P x ManaBloc Supply - Model 2877.8ZL

Part No	Dimensions 1 x 2	Dimensions		
		A (in)	L (in)	L1 (in)
96141	3/4" x 1" ManaBloc	0.87	1.79	1.43
96161	1" x 1" ManaBloc	0.77	1.80	1.43
96171	1 1/4" x 1" ManaBloc	1.02	2.31	1.43

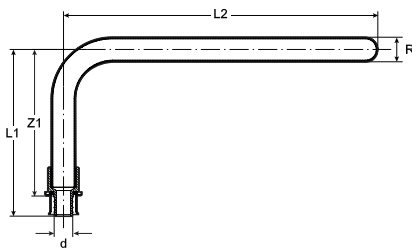
Submittal Package

viega



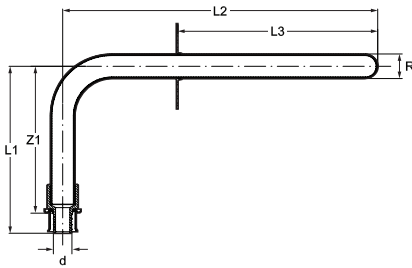
Viega PureFlow Press Tub 90° Elbow Zero Lead Brazed Copper - Model 2820.0ZL

Part Number	Size	L1 (in)	L2 (in)	Z1
	d x R			
92221	1/2" x 1/2" Copper	6.74	3	6.22



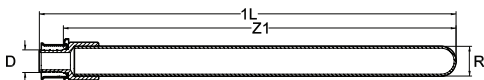
Viega PureFlow Press 90° Stub-out Brazed Copper P x FTG - Model 2820.1ZL

Part Number	Size	L1 (in)	L2 (in)	Z1
	d x R			
92406	3/8" x 1/2" Copper	4.28	8	3.76
92421	1/2" x 1/2" Copper	4.24	8	3.72
92441	3/4" x 3/4" Copper	4.24	8	4.77



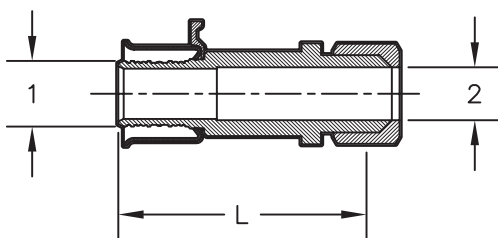
Viega PureFlow Press 90° Stub-out Brazed Copper P x FTG - Model 2820.4ZL

Part Number	Size	L1 (in)	L2 (in)	Z1
	d x R			
92305	3/8" x 1/2" Copper	4.28	8	3.76
92321	1/2" x 1/2" Copper	4.24	8	3.72



Viega PureFlow Press Stub-out Brazed Copper P x FTG - Model 2820.2ZL

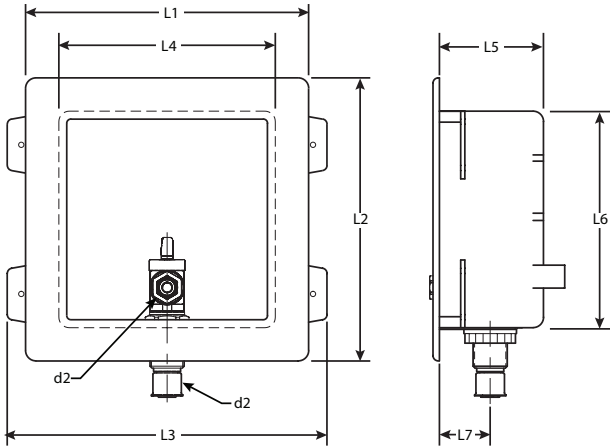
Part Number	Size	L1 (in)	Z1
	d x R		
92609	1/2" x 1/2" Copper	8.74	8
92616	1/2" x 1/2" Copper	15.74	15



Viega PureFlow Press Adapter Zero Lead Bronze P x CTS - Model 2895ZL

Part Number	Dimensions 1 x 2	L (in)
97112	3/8" x 1/4" CTS (3/8" OD)	1.77
97113	1/2" x 1/4" CTS (3/8" OD)	1.77

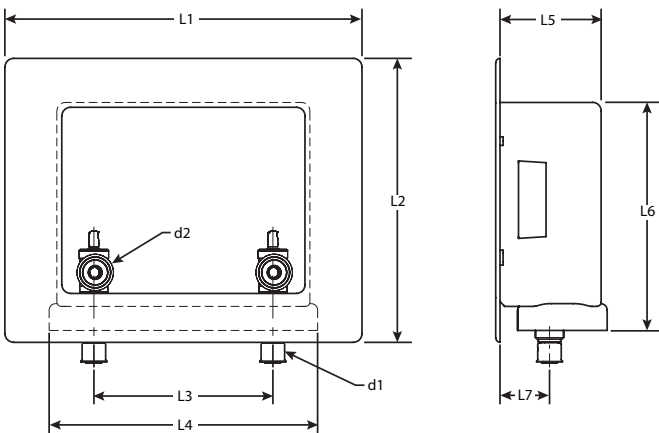
Submittal Package



Viega PureFlow Press Outlet box Zero Lead for Washing Machine, Ice Maker - Model 2872.0ZL, 2872.7ZL

Part No	Face Plate Dimensions		Box Dimensions						
	L1	L2	L3	L4	L5	L6	L7	d1	d2
98000	6.8"	6.8"	7.68"	5.2"	2.5"	5.2"	1.22"	1/2" PEX	1/4" O.D.
97220*	6.8"	6.8"	7.68"	5.2"	2.5"	5.2"	1.22"	1/2" PEX	1/4" O.D.

* with hammer arrestor



Viega PureFlow Press Outlet Box Zero Lead for Washing Machine, Ice Maker - Model 2872.1US, 2872.6ZL

Part No	Face Plate Dimensions		Box Dimensions						
	L1	L2	L3	L4	L5	L6	L7	d1	d2
97001	10.4"	8.3"	5.2"	7.4"	2.9"	6.6"	1.43"	1/2" PEX	3/4"
97212*	10.4"	8.3"	5.2"	7.4"	2.9"	6.6"	1.43"	1/2" PEX	3/4"

* with hammer arrestor

*Zero Lead identifies Viega® products meeting the lead free requirements of NSF 61-G through testing under NSF/ANSI 372 (0.25% or less maximum weighted average lead content).

Viega products are designed to be installed by licensed and trained plumbing and mechanical professionals who are familiar with Viega products and their installation. Installation by non-professionals may void Viega LLC's warranty.

This document is subject to updates. For the most current Viega technical literature please visit www.viega.us.

Viega LLC • 585 Interlocken Blvd. • Broomfield, CO 80021 • Phone (800) 976-9819 • www.viega.us