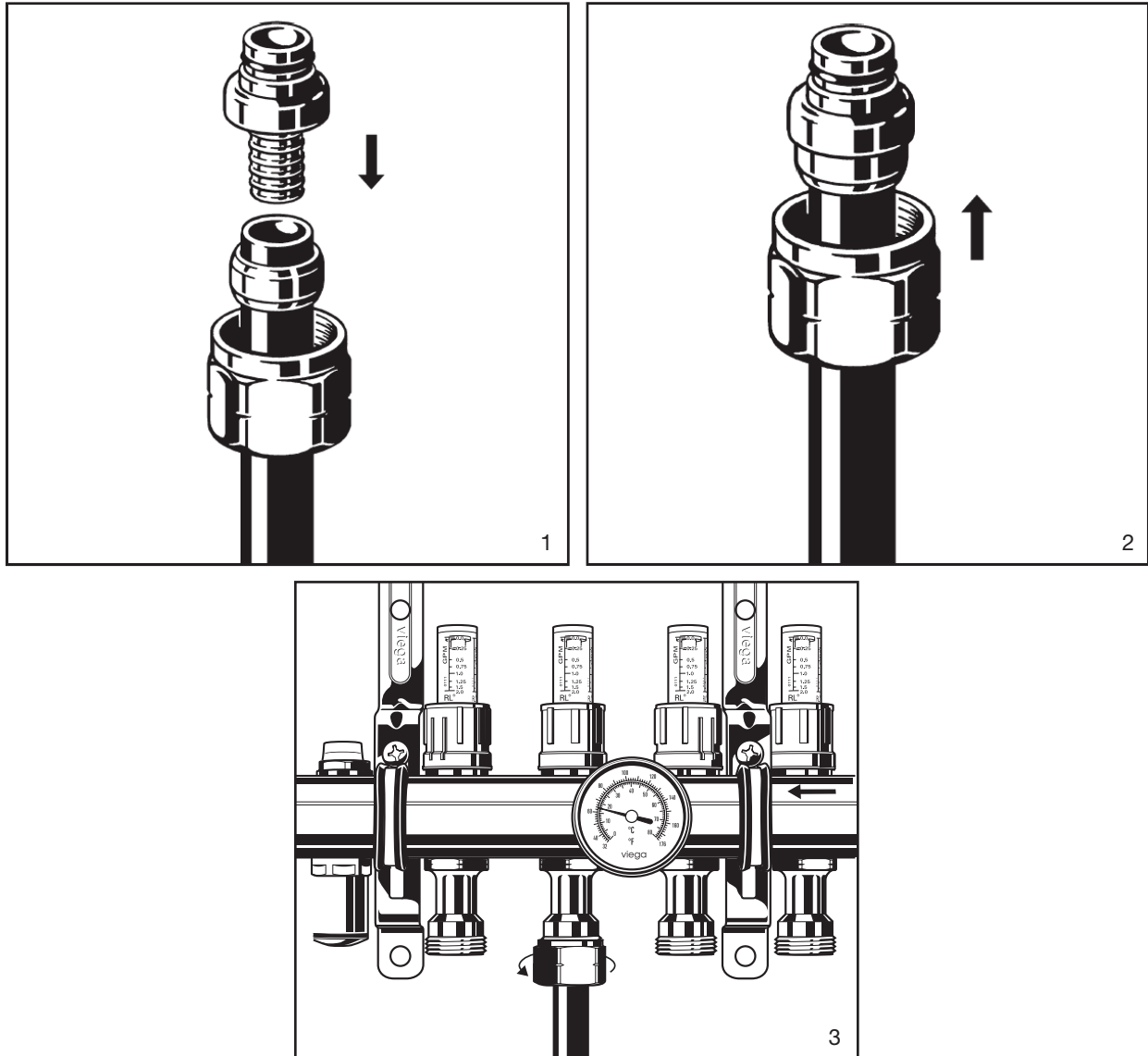


Product Instructions

viEGA

SVC Compression PEX Adapter $\frac{5}{16}$ " - $\frac{5}{8}$ "

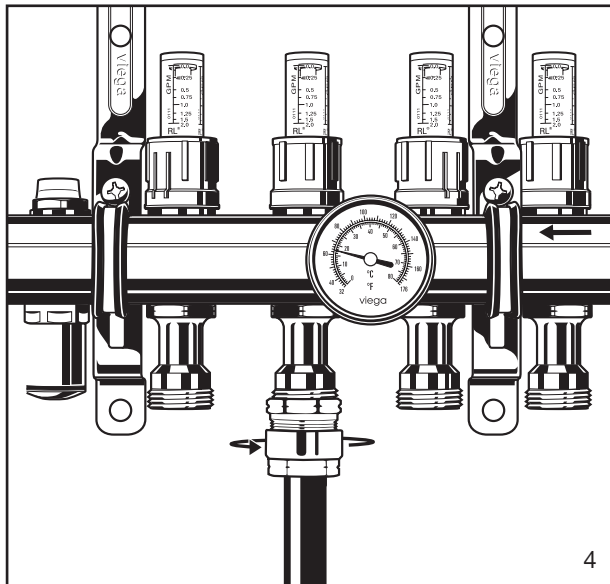
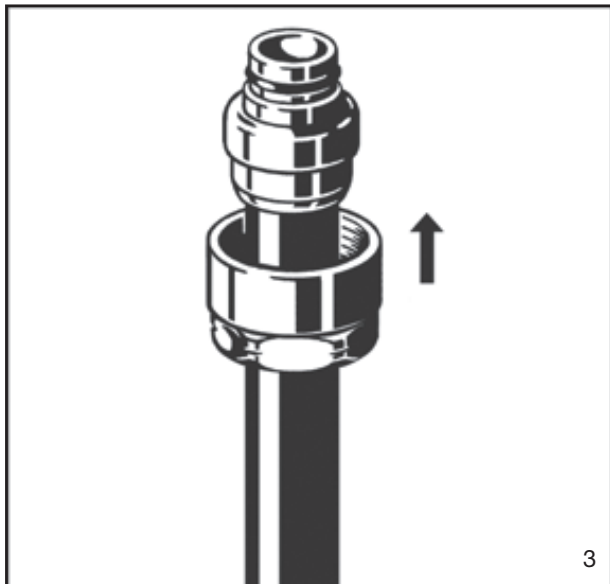
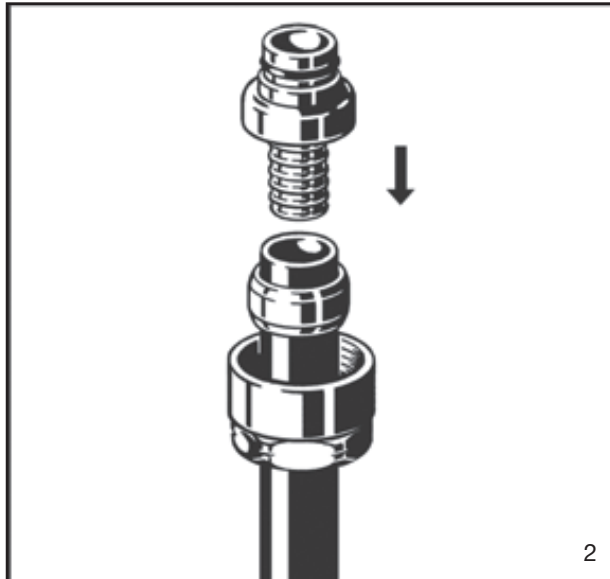
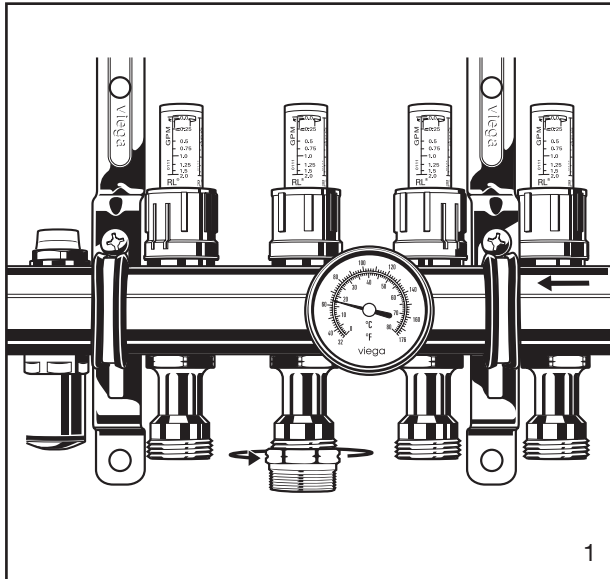


1. Square off tubing to proper length. Slide compression nut up tubing and slip brass ferrule over tubing.
2. Slide tubing over end of SVC adapter, pushing it on fully until tubing is flush with shoulder of fitting.
3. Insert SVC adapter into seat (manifold or other fitting) and tighten compression nut with wrench. Re-tighten compression nut slightly after 30 mins.

Product Instructions

viiega

SVC Compression PEX Adapter 3/4"



1. Tighten threaded adapter onto seat (manifold or other fitting).
2. Square off tubing to proper length. Slide compression nut up tubing and slip brass ferrule over tubing.
3. Slide tubing over end of SVC adapter, pushing it on fully until tubing is flush with shoulder of fitting.
4. Insert SVC adapter into seat (manifold or other fitting) and tighten compression nut with wrench. Re-tighten compression nut slightly after 30 mins.

Viega products are designed to be installed by licensed and trained plumbing and mechanical professionals who are familiar with Viega products and their installation. **Installation by non-professionals may void Viega LLC's warranty.**

This document is subject to updates. For the most current Viega technical literature please visit www.viega.us.

Viega LLC • 585 Interlocken Blvd. • Broomfield, CO 80021 • Phone (800) 976-9819 • www.viega.us