



PUSH WIRE® connector for junction boxes; 8-conductor terminal block; transparent housing; green cover

Item No.: 773-118



PUSH WIRE® connector for junction boxes; 8-conductor terminal block; transparent housing; green cover

Marking

RoHS ✓
Compliant

Business data

<i>Supplier</i>	WAGO
<i>Item no.</i>	773-118
<i>GTIN / EAN</i>	4055143237567
<i>Content</i>	1
<i>Order amount</i>	50
<i>Customer item number</i>	

Notes

Technical data

Miscellaneous

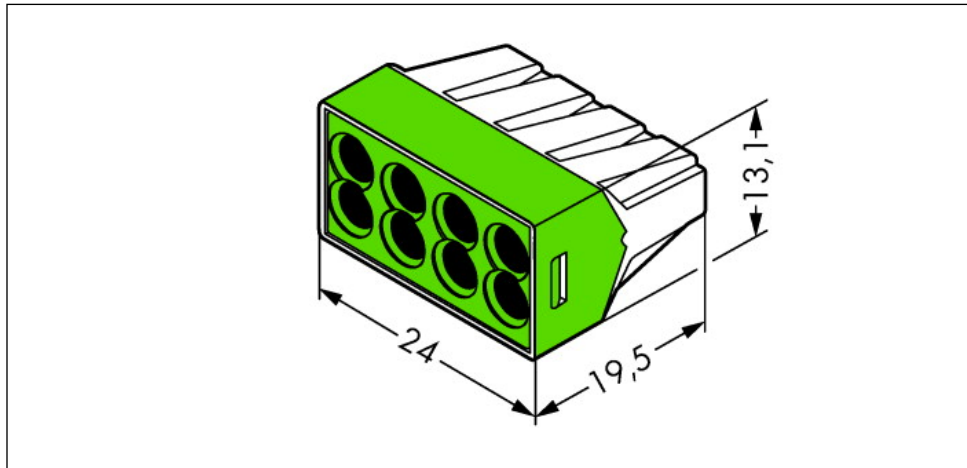
<i>Safety information 1</i>	<i>In grounded power lines</i>
<i>Packaging type</i>	BOX
<i>Ratings per</i>	IEC/EN 60664-1
<i>Rated voltage (II / 2) [V]</i>	400 [V]
<i>Rated impulse voltage (II / 2) [kV]</i>	4 [kV]
<i>Rated current [A]</i>	24 [A]

Technical data	
<i>Legend (ratings)</i>	<i>(II / 2) Overvoltage category II / Pollution degree 2</i>
<i>Type of wiring</i>	<i>Side-entry wiring</i>
<i>No. of poles</i>	<i>8</i>
<i>Total number of connection points</i>	<i>8</i>
<i>Total number of potentials</i>	<i>1</i>
<i>Connection technology</i>	<i>PUSH WIRE®</i>
<i>Number of connection points (connection type)</i>	<i>8</i>
<i>Actuation type</i>	<i>Push-in</i>
<i>Connectable conductor materials</i>	<i>Copper</i>
<i>Solid conductor</i>	<i>0.75 ... 2.5 mm² / 18 ... 12 AWG</i>
<i>Strip length</i>	<i>12 mm / 0.47 Inch</i>
<i>Width</i>	<i>24 mm / 0.945 Inch</i>
<i>Height</i>	<i>13.1 mm / 0.516 Inch</i>
<i>Depth</i>	<i>19.5 mm / 0.768 Inch</i>
<i>Color</i>	<i>transparent</i>
<i>Cover color</i>	<i>green</i>
<i>Flammability class per UL94</i>	<i>V2</i>
<i>Fire load [MJ]</i>	<i>0.099 [MJ]</i>
<i>Weight [g]</i>	<i>4.62 [g]</i>
<i>Ambient temperature (operation)</i>	<i>60 °C</i>

Images & drawings



Printview: PUSH WIRE® connector for junction boxes; 8-conductor terminal block; transparent housing; green cover - Item No.: 773-118



Address

WAGO Kontakttechnik GmbH & Co. KG

Hansastr. 27

32423 Minden

Telefon: 0571/887-0

Fax: 0571/887-169

<http://www.wago.com>

© WAGO Kontakttechnik GmbH & Co. KG

Technische Änderungen und Irrtümer vorbehalten.