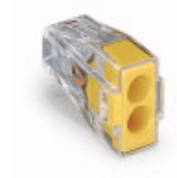




**PUSH WIRE® connector for junction boxes; 2-conductor terminal block; transparent housing; yellow cover**

Item No.: 773-162



*PUSH WIRE® connector for junction boxes; 2-conductor terminal block; transparent housing; yellow cover*

**Marking**

RoHS ✓  
Compliant

**Business data**

Supplier	WAGO
Item no.	773-162
GTIN / EAN	4044918397995
Content	1
Order amount	100
Customer item number	

**Notes**

**Technical data**

*Miscellaneous*

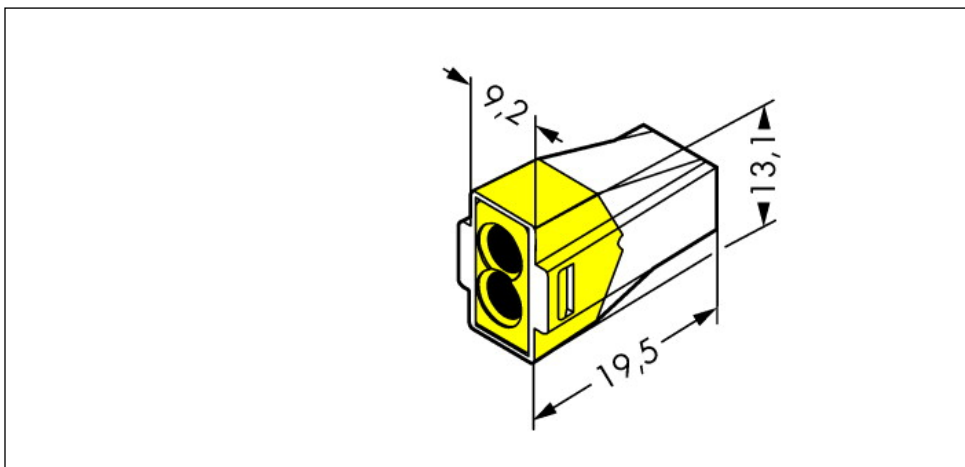
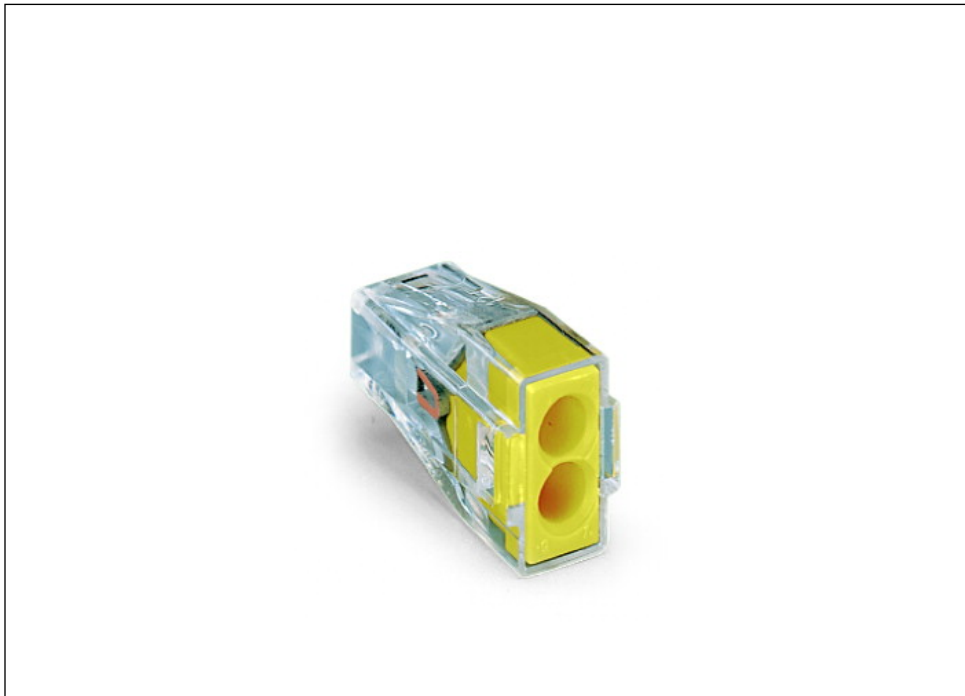
Total number of connection points	2
Total number of potentials	1
Color	transparent
Pollution degree (1)	2
Rated voltage (II / 2) [V]	400 [V]
Rated impulse voltage (II / 2) [kV]	4 [kV]

Printview: PUSH WIRE® connector for junction boxes; 2-conductor terminal block; transparent housing; yellow cover - Item No.: 773-162

<b>Technical data</b>	
<i>Rated current [A]</i>	<i>24 [A]</i>
<i>Connection technology</i>	<i>PUSH WIRE®</i>
<i>Number of connection points connector</i>	<i>2</i>
<i>Actuation type</i>	<i>Push-in</i>
<i>Connectable conductor materials</i>	<i>Copper</i>
<i>Solid conductor</i>	<i>0.75 ... 2.5 mm<sup>2</sup> / 18 ... 12 AWG</i>
<i>Strip length</i>	<i>12 mm / 0.47 Inch</i>
<i>Type of wiring</i>	<i>Side-entry wiring</i>
<i>Weight [g]</i>	<i>1.847 [g]</i>
<i>Width</i>	<i>9.2 mm / 0.362 Inch</i>
<i>Height</i>	<i>13.1 mm / 0.516 Inch</i>
<i>Depth</i>	<i>19.5 mm / 0.768 Inch</i>
<i>Safety information 1</i>	<i>In grounded power lines</i>

Images & drawings





#### Address

WAGO Kontakttechnik GmbH & Co. KG

Hansastr. 27

32423 Minden

Telefon: 0571/887-0

Fax: 0571/887-169

<http://www.wago.com>

© WAGO Kontakttechnik GmbH & Co. KG

Technische Änderungen und Irrtümer vorbehalten.