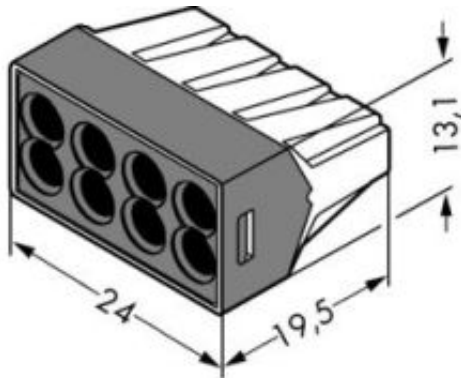


Data sheet

Item no.: 773-168
 Product description: PUSH-WIRE CONNECTOR FOR JUNCTION BOXES
 8-CONDUCTOR TERMINAL BLOCK Cover, dark gray



Packing unit 50 pieces

| | |
|----------------------------------|----------------------------|
| Product group | 7 (Push Wire Conn.) |
| pole count | 8 |
| Cross section [mm ²] | 0.75 - 2.5 mm ² |
| Cross section [AWG] | 18 - 12 AWG |
| Wiring method | e |
| Connection method | PUSH WIRE® |
| Cross section [mm ²] | 1.5 - 2.5 mm ² |
| Cross section [AWG] | 16 - 12 AWG |
| Wiring method | st |
| Connection method | PUSH WIRE® |
| Measured voltage EN | 400 V |
| Measured shock voltage | 4 kV |
| Pollution degree | 2 |
| Current intensity EN | 24 A |
| Weight | 5 g |
| Color | dark gray |
| No. of connection Points | 8 |
| No. of potentials | 1 |
| Height | 13.1 mm |
| Height | 0.516 in |
| Width | 24 mm |
| Width | 0.945 in |

| | |
|-------------------|----------|
| Depth | 19.5 mm |
| Depth | 0.768 in |
| Strip length from | 12 mm |
| Strip length to | 12 mm |
| Strip length | 0.47 in |

© WAGO Kontakttechnik GmbH & Co. KG

Specifications are subject to changes and errors may be expected