

IdealLav™

LAVATORY DRAIN

SPECIFICATIONS

FEATURES: One-piece, drop-in installation through drain hole and secured by a nut under sink

- Cast brass or PVC Tube versions
 - 815-P-CP Brass Tube/Plastic Grid Strainer, Chrome Finish
 - 715-P-CP Plastic Tube/Grid Strainer, Chrome Finish
- Two Trim (grid and rod) finishes available:
 - CP-Chrome Plate - standard
 - BN-Brushed Nickel - optional
- Removable, replaceable grid strainer with O-ring seal
- Internal stopper seats below grid strainer
- Grid strainer prevents hair and other objects from entering drain overflow - standard
- Oversized pivot ball nut
- Fits standard sinks with overflow

PATENTS:

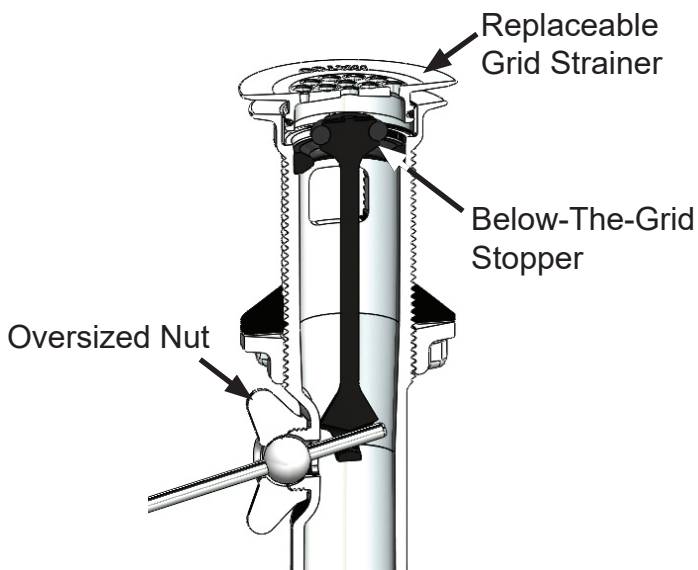
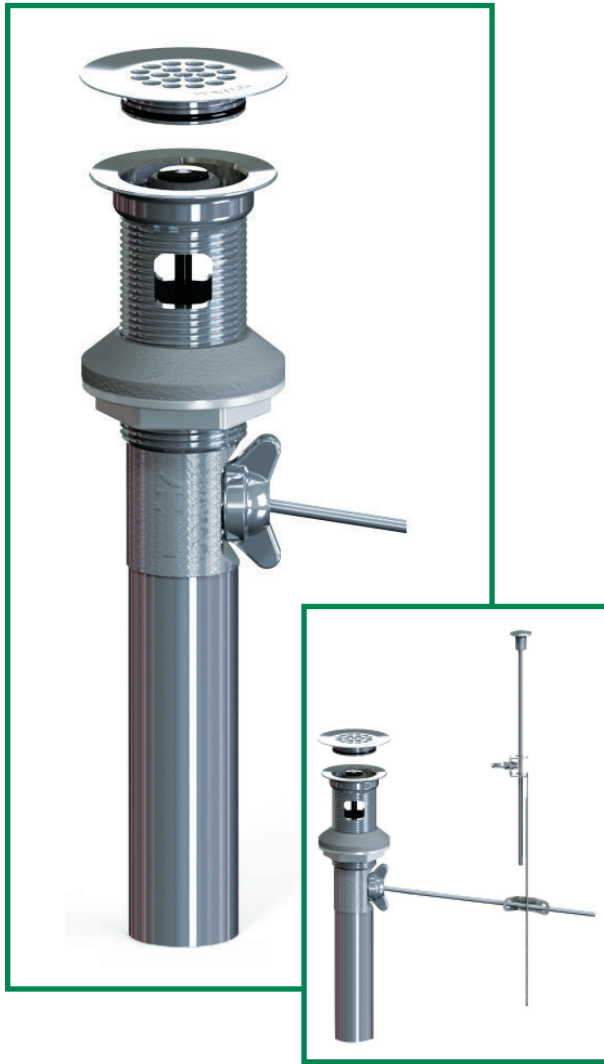
- Patents Pending

OPERATION:

- Vertical Rod opens and closes internal stopper

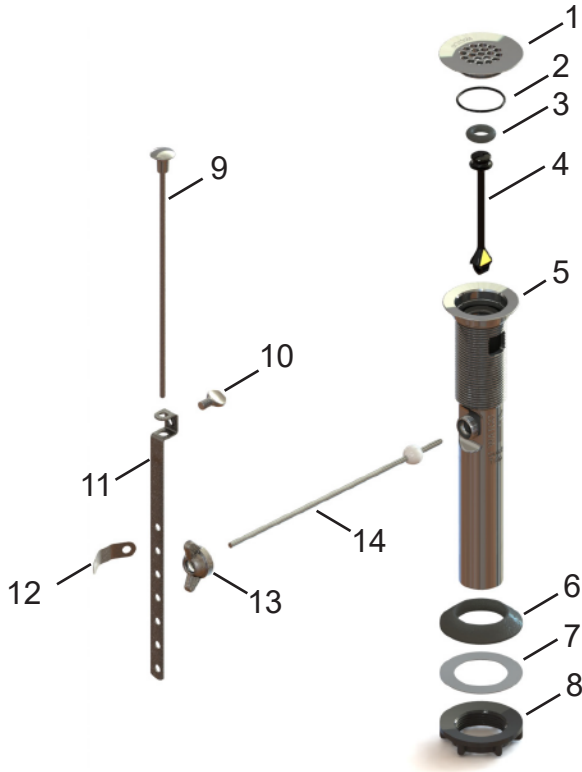
PIPING:

- 8" Drop tube
- Standard 1.25" O.D. Pipe
- 3" thread length



For More Information Contact:
WATCO Manufacturing Company
1220 South Powell Road
Independence, MO 64057-2724
Ph. 816-796-3900 • FAX 816-796-0875
www.watcomfg.com

IdealLav™ Parts List



Item	Part #	Description
1.	01054CP.....	IdealLav Brass Trim-CP
	01054BN.....	IdealLav Brass Trim-BN
	01055CP.....	IdealLav Plastic Trim-CP
	01055BN.....	IdealLav Plastic Trim-BN
2.	11137	IdealLav Trim O-Ring
3.	11135	IdealLav Stopper O-Ring
4.	11151.....	IdealLav Stopper
5.	10655CP	IdealLav Tube Brass
	10069	IdealLav Tube PVC
6.	11506.....	IdealLav Outer Seal
7.	10698	IdealLav Slip Washer
8.	41581	IdealLav Large Nut Plastic
	41579	IdealLav Large Nut Metal
9.	41052CP.....	IdealLav Lift Knob/Rod-CP
	41052BN.....	IdealLav Lift Knob/Rod-BN
10.	41048.....	IdealLav Thumb Screw
11.	41049.....	IdealLav Clevis
12.	41051	IdealLav Rod Clip
13.	41046CP.....	IdealLav Pivot Ball Nut-CP
14.	41045.....	IdealLav Rod Ball Assembly