

<b>Project:</b>	<b>Type:</b>
<b>Prepared By:</b>	<b>Date:</b>

Driver Info		LED Info	
Type	Constant Current	Watts	13W
120V	0.13A	Color Temp	Field Adjustable
208V	N/A	Color Accuracy	90 CRI
240V	N/A	L70 Lifespan	50,000 Hours
277V	N/A	Lumens	1,048 lm
Input Watts	13W	Efficacy	76

### Technical Specifications

Performance		
<b>Product Type:</b>	<b>L70 Lifespan:</b>	<b>Power Factor:</b>
Wafer Direct Mount	50,000-Hour LED lifespan based on IES LM-80 results and TM-21 calculations	≥0.9
<b>LEDs:</b>	<b>Wattage Equivalency:</b>	<b>Dimmable:</b>
Edge-lit LED Technology	75W	TRIAC and ELV dimming compatibility
<b>Input Wattage:</b>	<b>LED Characteristics</b>	<b>Operating Temperature:</b>
13W	<b>Color Temperature:</b>	-30°C - 40°C
<b>Lumens (Nominal):</b>	2700K/3000K/3500K/4000K/5000K	<b>Input Voltage:</b>
1,025 Lm   1,075 Lm   1,130 Lm   1,160 Lm   1,160 Lm	<b>Color Accuracy (CRI):</b>	120V
<b>Efficacy:</b>	90 CRI	
78.8 Lm/W   82.7 Lm/W   87 Lm/W   89.2 Lm/W   89.2 Lm/W	<b>Electrical</b>	
	<b>THD:</b>	
	≤20%	

## Technical Specifications (continued)

### Electrical

#### Operating Frequency:

60Hz

### Construction

#### Size:

6"

#### Shape:

Round

#### Enclosure Material:

Plastic

#### Finish:

White

#### Trim Style:

Smooth Trim

#### Lens:

Acrylic light guide distributes light evenly and smoothly for general lighting applications

#### Gaskets:

Gasket included can achieve restrictive airflow and wet location without any additional gasket or caulk

### Optical

#### Beam Angle:

110°

### Installation

#### Mounting:

Tall spring towers allow to be installed in 3/8" up to 5/8" thick ceilings  
Round ceiling cutout template provided in box  
Heat treated springs hold fixture fitting securely in the ceiling eliminating light leaks  
Housing is less than 1/2" thick  
Can be removed from below the ceiling for service or replacement

#### Remote Driver / Junction Box:

Die formed metal driver / junction box with captive hinged junction box cover. Recessed CCT Selectable dipswitch. Listed for (6) #12 AWG 90° C splice conductors, 2-in, 2-out plus (2) ground. (4) 1/2" conduit pry-outs. (3) wire nuts for quick and reliable line voltage connections. Integral mounting facilitates direct mounting to building structure or mounting frame.

### Other

#### Technology EQ:

Incandescent

#### Trade Agreements Act Compliant:

This product is a product of Cambodia and a "designated country" end product that complies with the Trade Agreements Act

#### Buy American Act Compliance:

RAB values USA manufacturing! Upon request, RAB may be able to manufacture this product to be compliant with the Buy American Act (BAA). Please contact customer service to request a quote for the product to be made BAA compliant.

### Compliance

#### DLC Model Number:

DLW0055(WFRL6R139FA120WS)

#### Safety Listing:

UL Listed

### Environment:

Wet

#### Fixture Rating:

Enclosed

#### Air Tight:

Housing certified Air Tight as per ASTM E283

#### IC Rated:

Suitable for direct contact with insulation

#### Energy Star ID:

2365746

#### T24 JA8 Compliant:

Complies with Title 24 Appendix JA8

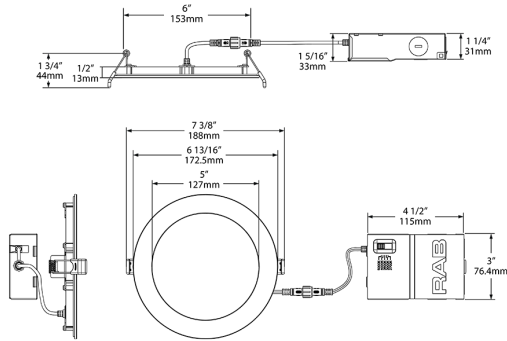
#### RoHS:

Mercury and UV free. RoHS-compliant components.

#### FCC:

Complies with Part 15 of the FCC Rules

## Dimensions



## Features

- 5 color temperatures in 1 SKU (2700K, 3000K, 3500K, 4000K, 5000K)
- Super slim Edge-lit fixture for thin fixture depth
- No recessed housing or J-box required
- New construction or retrofit applications
- UL wet location rated
- Smooth diffused uniform light distribution
- Dimmable down to 5% on compatible dimmers
- Spring loaded retention clips
- Robust, die cast aluminum construction
- IC and airtight rated
- 5-Year, No-Compromise Warranty

## Ordering Matrix

Family	Size	Shape	Wattage	CRI/Color Temp	Voltage	Finish	Trim	Depth
WFRL	6	R	13	9FA	120	W	S	
	3 = 3"	R = Round	6 = 6W	9FA = 90 CRI, 5000K/4000K/3500K/3000K/2700K	120 = 120V	W = White	B = Baffle	Blank = Standard
	4 = 4"	S = Square	9 = 9W	9CCT = 90 CRI, 5000K/4000K/3500K/3000K/2700K	D = 120V/277V	S = Smooth	S = Shallow	
	5 = 5"		10.5 = 10.5W					
	6 = 6"		12 = 12W					
	8 = 8"		13 = 13W					
			14 = 14W					
			23 = 23W					

3" only available in round, 120V, and 6W  
 4" models only available with 120V. 120-277V driver sold separately. Available wattages are 9W & 10.5W.  
 4" shallow wafer only available with baffle trim and 9W  
 5" models only available in round, 120V, and 12W  
 6" standard 120V only available in 13W and 14W  
 6" standard 120-277V only available in 13W  
 6" shallow wafer only available with baffle trim and 13W  
 8" wafer only available in 23W