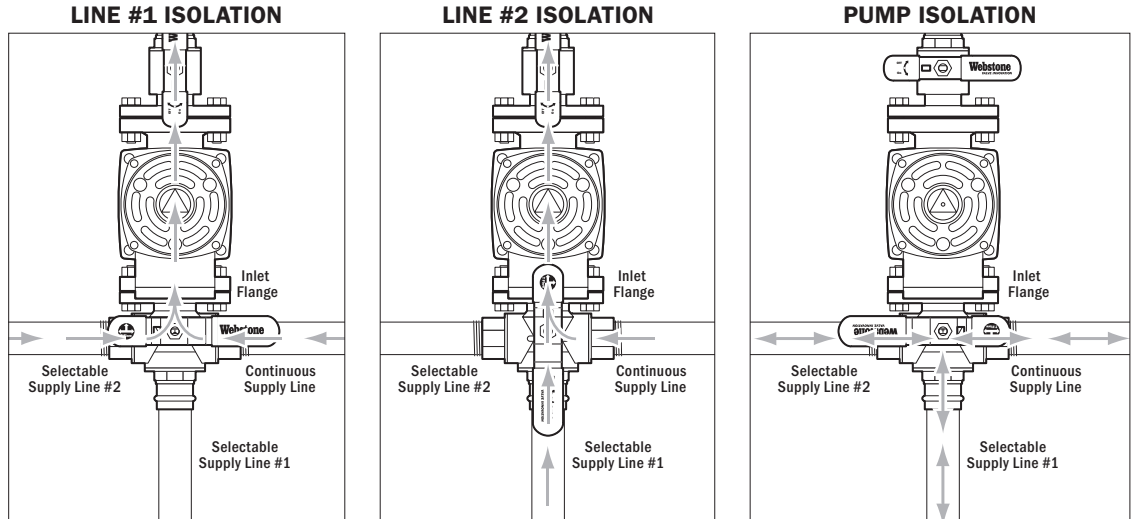


IMPORTANT: Follow all federal/national, state and local codes when installing or performing work on systems. All parts are covered by a lifetime warranty against manufacturing defects provided they are installed by a licensed plumber and operated under normal working conditions. Disassembling will void this warranty. If you have any questions or comments, please contact us at (800) 225-9529 or visit us on the web - www.webstonevalves.com.

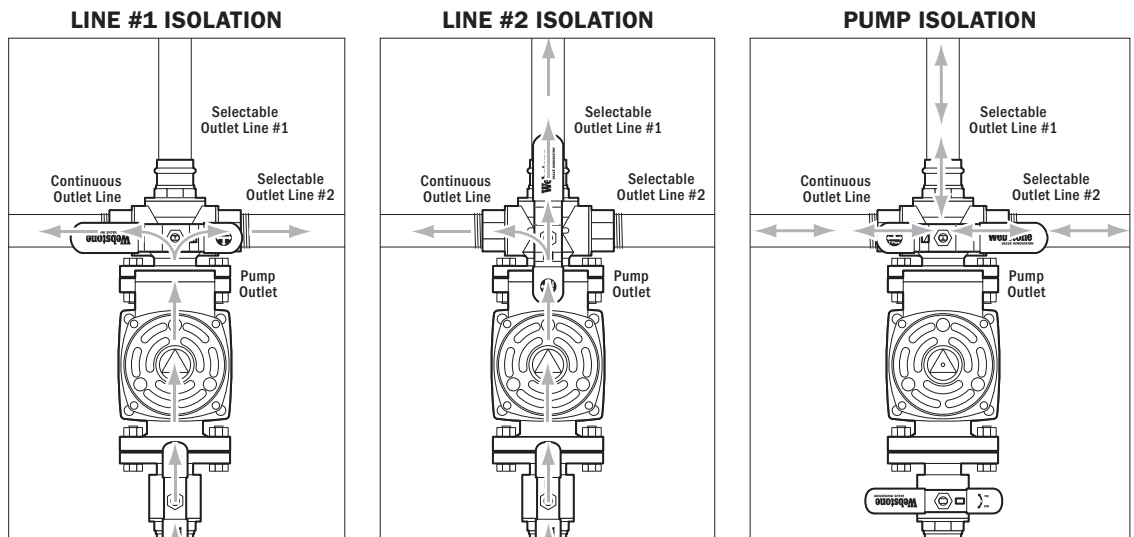
Continuous & Selectable Supply

When attached to the pump inlet, flow originates from both the continuous supply line and one of the two selectable supply lines. Valve may also be utilized to isolate the pump for service.



Continuous & Selectable Outlet

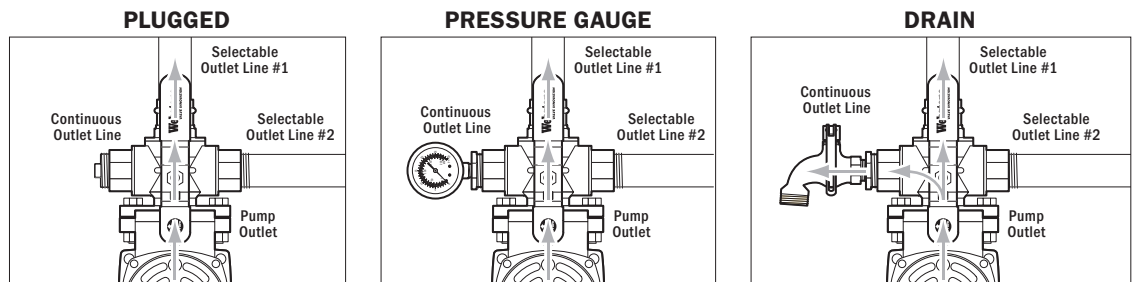
When attached to the pump outlet, flow is provided to both the continuous outlet line and one of the two selectable outlet lines. Valve may also be utilized to isolate the pump for service.



Alternate Applications

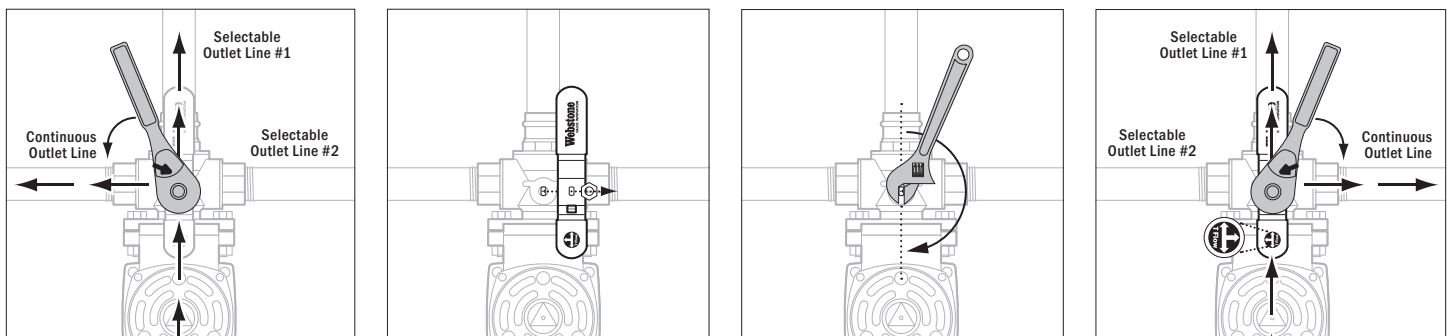
A port can be used for the installation of a pressure gauge or sampling/purging hose drain; or use the included port plug to seal the port.

Note: Valve shown attached to pump outlet.



Adjusting Flow Path

For maximum flexibility, the valve can be easily adjusted to select the desired configuration of continuous and selectable supply/outlet lines.



1. Using a socket wrench, turn handle nut counter clockwise to loosen nut.

2. Remove nut and handle.

3. Grip the stem with adjustable wrench, turn stem 180°.

4. Replace handle, and tighten nut using socket wrench.

5. Use enclosed T-Flow sticker to indicate correct flow path on handle. T-Flow logo should match "T" stamped on end of stem.