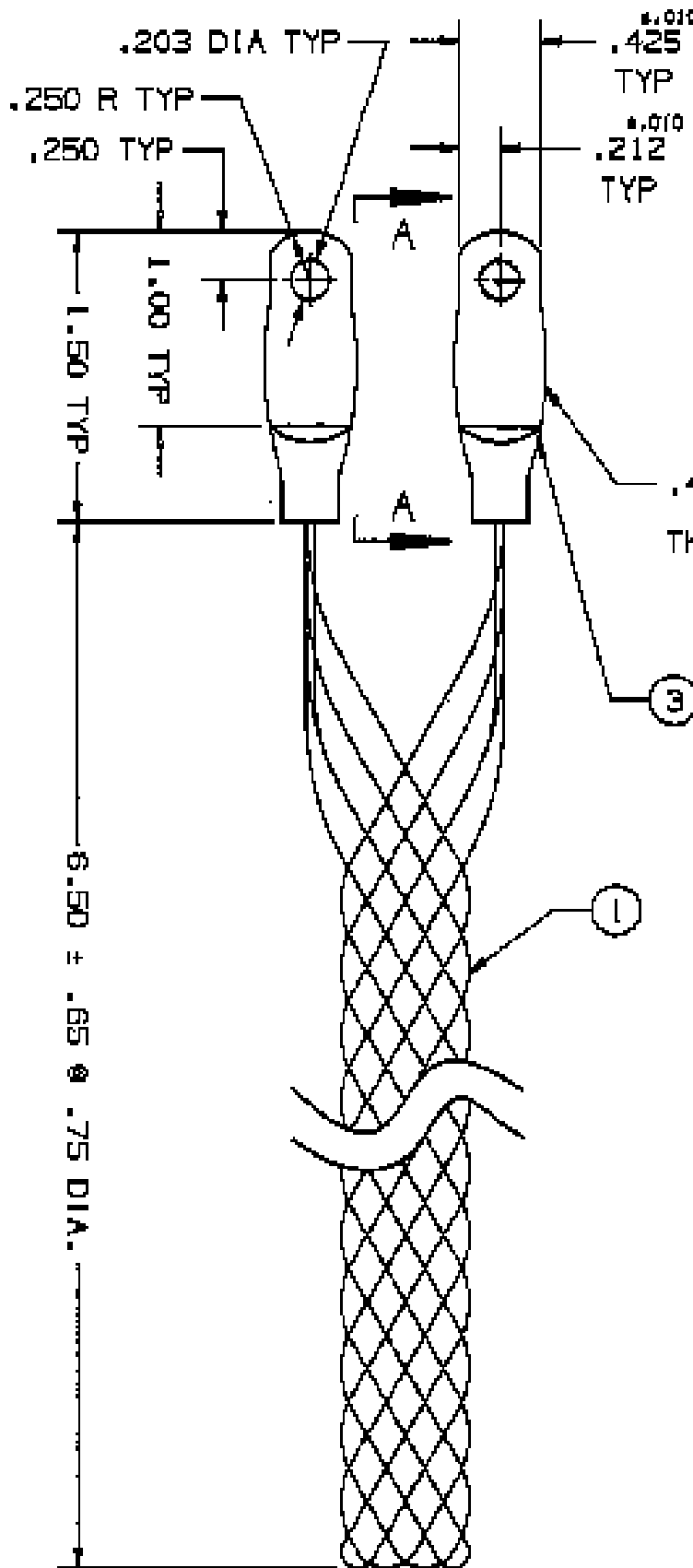
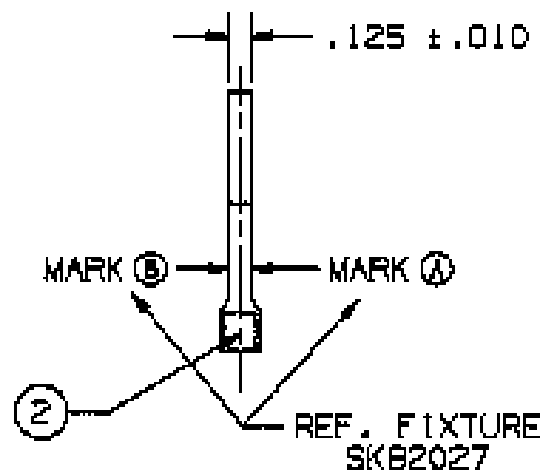


COMPONENT LIST

ITEM NO.	DESCRIPTION	MAT'L	COMPONENT NO.	QTY.
1	STRAND	9 STL	303-01-013	-
2	TUBE	PLAS	508-43-008	2
3	EYE	ALUM	331-43-050	2



.480 MAX. WIDTH ALLOWABLE IN THIS AREA (TYP)



SECTION A-A
TYPICAL

IN ACCEPTING OUR DRAWINGS OR BLUEPRINTS FOR QUOTATION OR OTHER PURPOSES, YOU AGREE NOT TO DISCLOSE TO OTHERS THE IDEAS, INFORMATION OR DESIGN THEREIN SHOWN, AND THAT YOU WILL MAKE NO USE OF OUR DRAWINGS OR BLUEPRINTS OR OF THE IDEAS, INFORMATION, OR DESIGN THEREIN SHOWN WITHOUT OUR PERMISSION.

TITLE
GRIP, STRAIN RELIEF, 9-STL, P/PLAS. COATING
CLOSED WEAVE, SINGLE WEAVE, TAB EYES
DIA, RA, .73-.85
BREAKING STRENGTH: 250 LBS.

TOLERANCES UNLESS OTHERWISE SPECIFIED
X ± .05
XX ± .08
XXX ± .010
ANGLE TOL. ± 2°

HUBBELL INCORPORATED
KELLOGG DIVISION
STONINGTON, CT

DR. BY RCM APP. BY FFS
PROJECT NO. TR. BY SCALE
CHK. BY FFS DATE 2/4/08

DR. NO. REV.
073-10-004 1