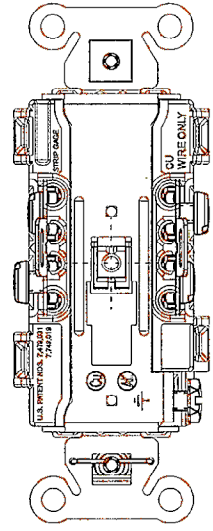
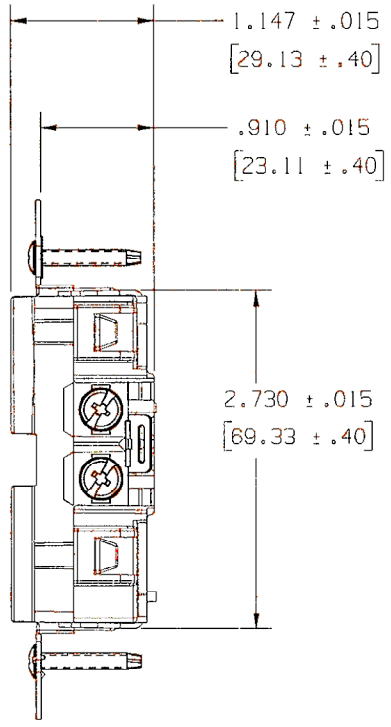
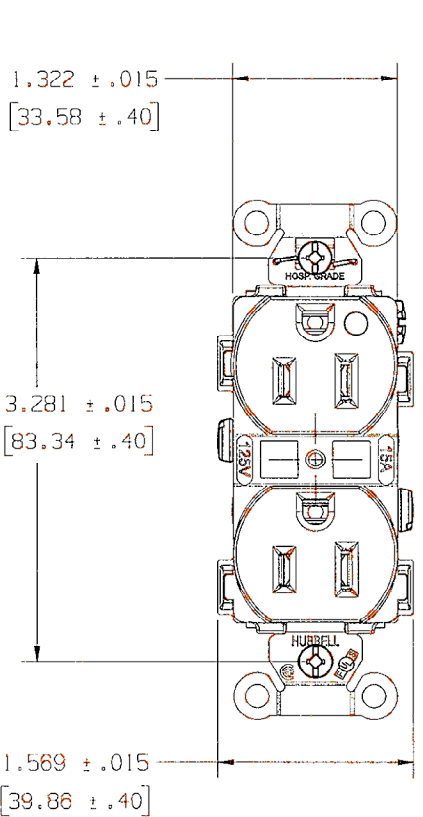


M-11708 1



NOTES:
 1) DIMENSIONS ARE IN INCHES (MM).
 2) ALL DEVICES UL LISTED AND CSA CERTIFIED.
 3) TERMINALS ACCOMMODATE #14-#10 AWG COPPER WIRE ONLY.

CATALOG NUMBERS

	BROWN	IVORY	GRAY	WHITE	BLACK	ALMOND	LIGHT ALMOND	OFFICE WHITE	ORANGE	RED	BLUE
15A	8200	8200IV	8200GY	8200WHI	8200BK	8200ALM	8200LA	-----	-----	8200RED	-----
20A	8300	8300IV	8300GY	8300WHI	8300BK	8300ALM	8300LA	-----	-----	8300RED	-----

LIST OF PARTS

DESCRIPTION	MATERIAL	FINISH
TOP	NYLON 6/6	SPI A-3
BASE	NYLON 6/6	SPI A-3
LINE CONTACTS	BRASS	
GROUND CONTACTS	BRASS	
CONTACT SCREW (NEUT)	STEEL	NI PLT
CONTACT SCREW (HOT)	STEEL	
BRIDGE	.04 GALV STL	
GROUND SCREW	STEEL	GREEN
STAPLE	S.S.	
WASHER	PVC FILM	BLACK
MOUNTING SCREW	STEEL	ZINC PLT

1 RELEASED PER DCN #18840 05/08/12
 WRV *WRV*

THE DESIGN AND DIMENSIONS OF THE PRODUCT SHOWN ON THIS DRAWING ARE SUBJECT TO CHANGE WITHOUT NOTICE

TITLE
 15A/20A 125V, 2P 3W
 HOSPITAL GRADE DUPLEX RECEPTACLE
 BACK & SIDE WIRE

TOLERANCES UNLESS OTHERWISE SPECIFIED
 .XX = ±.01
 .XXX = ±.005
 ANGLES = ±2'

WIRING DEVICE-KELLEMS
 HUBBELL INCORPORATED
 SHELTON, CT

DR. BY WRV APP. BY
 TR. BY SCALE 1:1
 CHK. BY DATE 7/2012