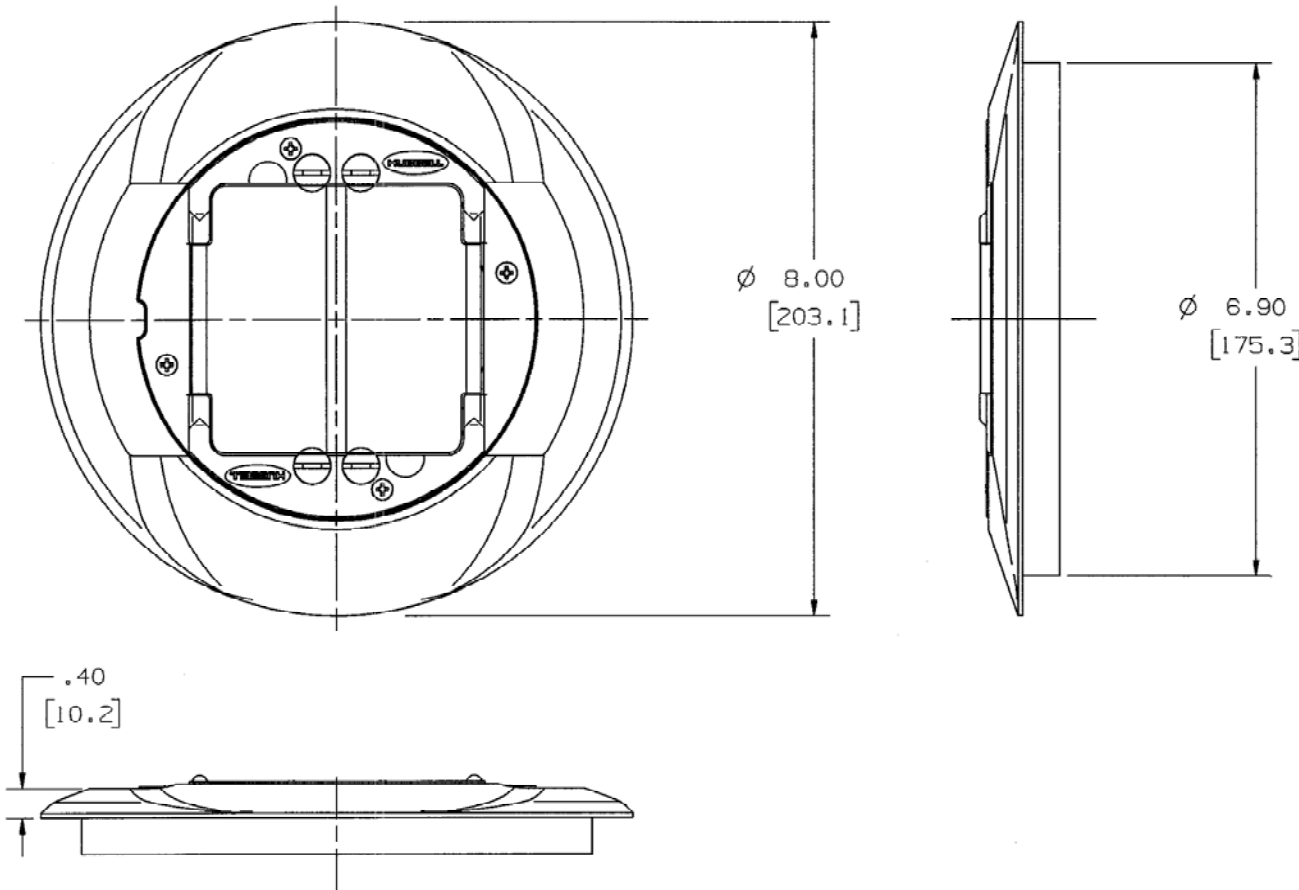


DIMENSIONS IN INCHES [MM]

M-9515 3



CATALOG NO.	DESCRIPTION
SICFCBRS	BRASS FINISH POWDER COAT CARPET COVER
SICFCAL	ALUMINUM FINISH POWDER COAT CARPET COVER
SICFCBL	BLACK POWDER COAT CARPET COVER
SICFCGY	GRAY POWDER COAT CARPET COVER
SICFCI	IVORY POWDER COAT CARPET COVER

LIST OF PARTS		
DESCRIPTION	MATERIAL	FINISH
CARPET FLANGE	CAST ALUM.	SEE TABLE
GASKET, EXT. FLOOR	RUBBER	BLACK
(4) SCREW FLANGE MTG.	STEEL	ZINC PLT.
UNIV. COVER ASM.	CAST ALUM.	BLACK
(4) SCREW COVER PLT. MTG.	STEEL	SEE TABLE

SYM	REVISIONS	APP	DATE
3	SICFCBL WAS SICFCBK IN TABLE; .56 (14.2) DIM. DELETED; VIEWS UPDATED TO AGREE WITH CHANGES TO CARPET FLANGE PER DCN 15306 RCM	DJP	11/19/08
2	DELETED GASKET FLANGE INT. FROM LIST OF PARTS; REVISED TITLE BLOCK FOR SYSTEM ONE, ADDED POWDER COAT TO DESCR IN TABLE. PER DCN 12261 TLS	TLS	3/8/05
1	DCN11999 INITIAL RELEASE	TLS	11/8/04

THE DESIGN AND DIMENSIONS OF THE PRODUCT SHOWN ON THIS DRAWING ARE SUBJECT TO CHANGE WITHOUT NOTICE

TITLE
SYSTEM ONE
CARPET FLANGE/COVER

TOLERANCES UNLESS OTHERWISE SPECIFIED FRACTIONS ± 1/64 DECIMALS ± .005 ANGLES ± 2°	WIRING DEVICE-KELLEMS HUBBELL INCORPORATED BRIDGEPORT, CT	
	DR. BY PAC	APP. BY TLS
	TR. BY	SCALE NONE
	CHK'D BY TLS	DATE 9-21-04

CODE 74545

DIMENSION SHEET FOR CAT. NO.

REPAIRABLE NON-REPAIRABLE

B

M-9515

3