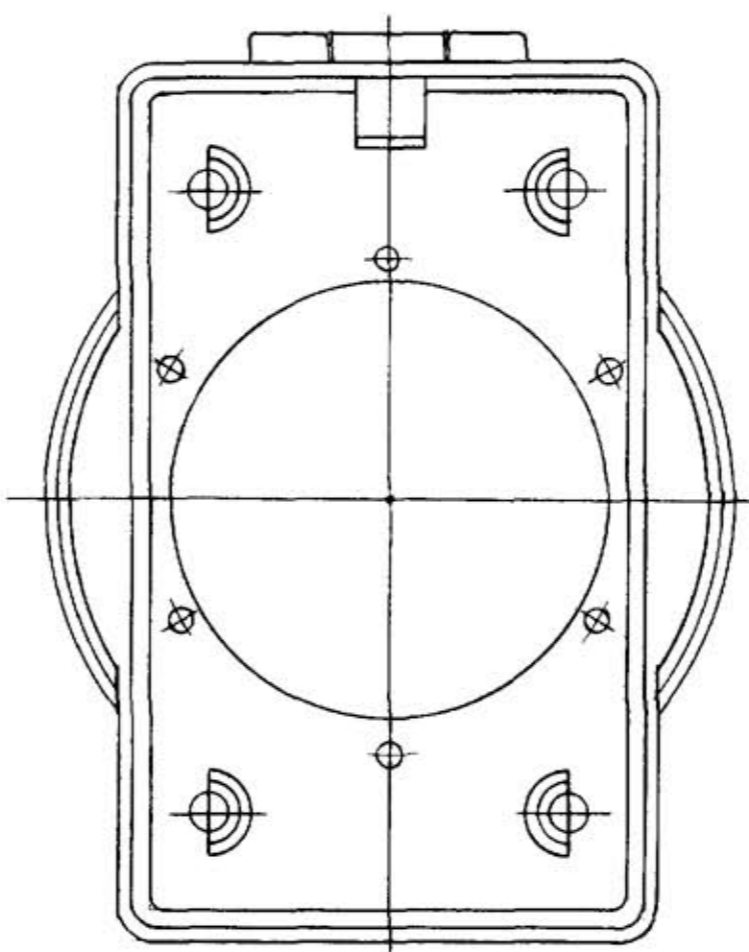
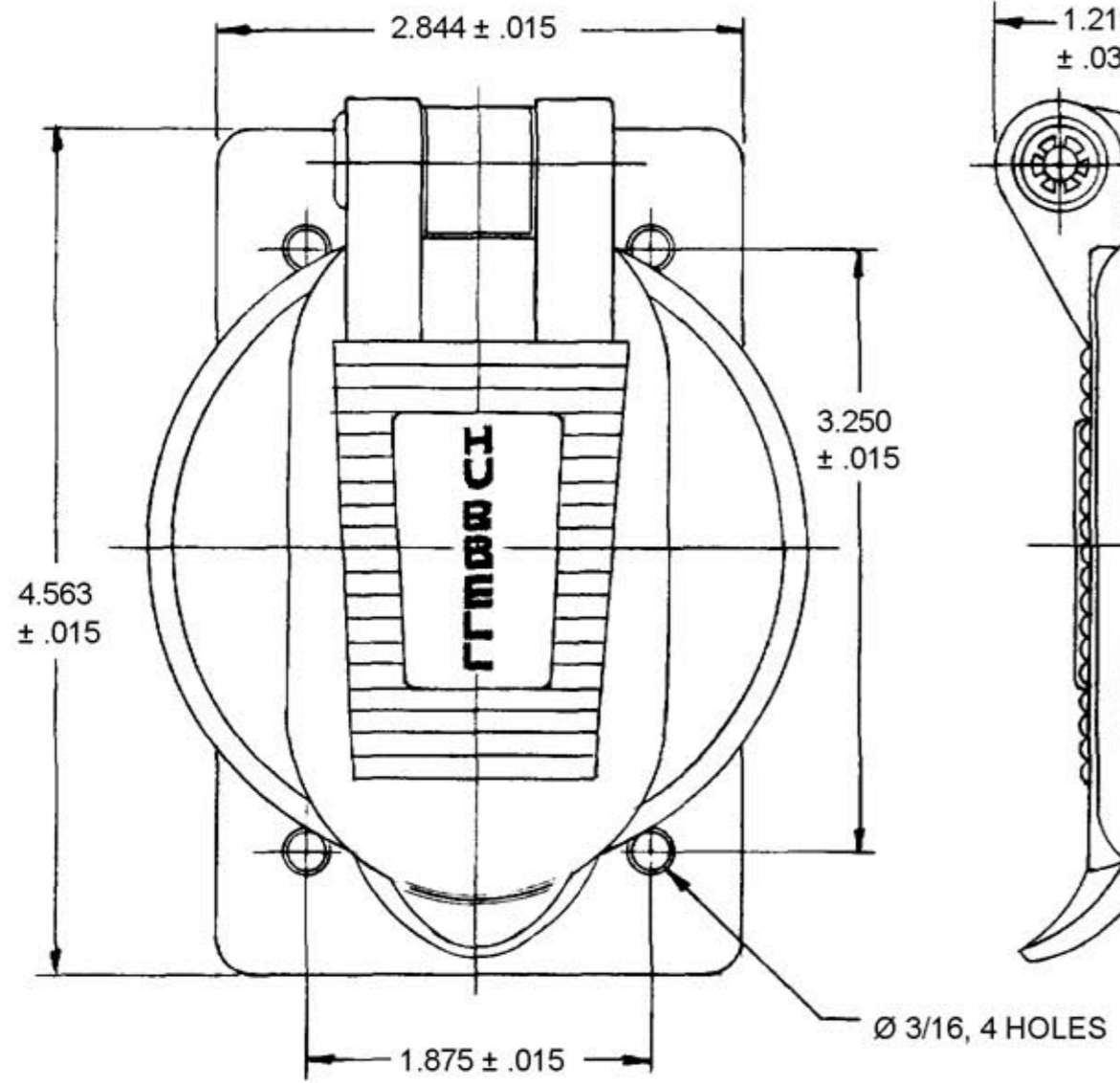


M-6355 1



LIST OF PARTS

DESCRIPTION	MATERIAL	FINISH
COVER	LEXAN	GRAY
FLAP	LEXAN	GRAY
INTER FACE GASKET	NEOPRENE	
FLAP GASKET	NEOPRENE	
SPRING	STAINLESS ST.	
HINGE	STAINLESS ST.	
RETAINING RING	STAINLESS ST.	

DIMENSION SHEET FOR CAT. NO. WP2

REPAIRABLE NON-REPAIRABLE

SYM	REVISIONS	APP	DATE
1	CONVERTED DIMS TO 3 PL DECIMAL AND ADDED TOL PER DCN #7794. AMZ	DB	7-31-00

B M-6355

CAT. NO. WP2

TITLE

**WEATHER PROOF LIFT COVER
PLATE FOR SIZE #2 & #3 FLANGED
INLETS AND OUTLETS**

TOLERANCES UNLESS OTHERWISE SPECIFIED

FRACTIONS ± 1/64

DECIMALS ± .005

ANGLES ± 2°

HARVEY HUBBELL, INC.
BRIDGEPORT, CONN.

DR. BY A.J.L. APP. BY

TR. BY

CHK'D. BY

SCALE FULL

DATE 4-12-83

CODE 74545

1