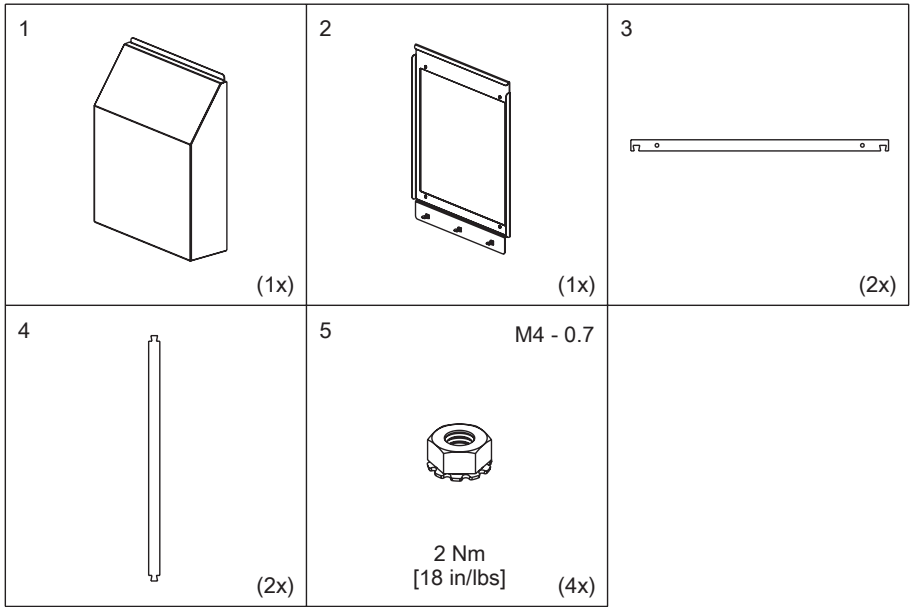


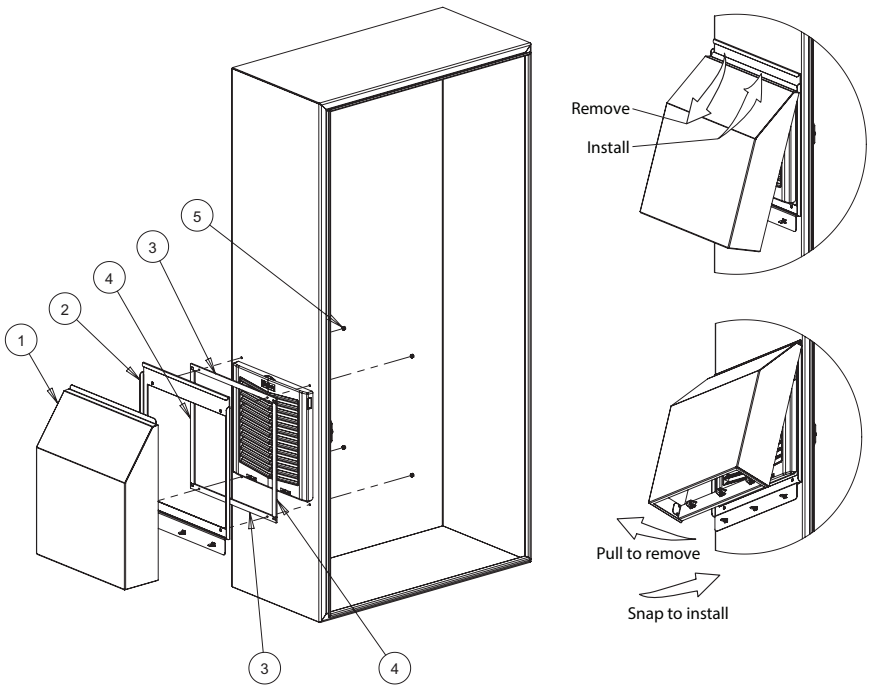
Filter Fan Shrouds

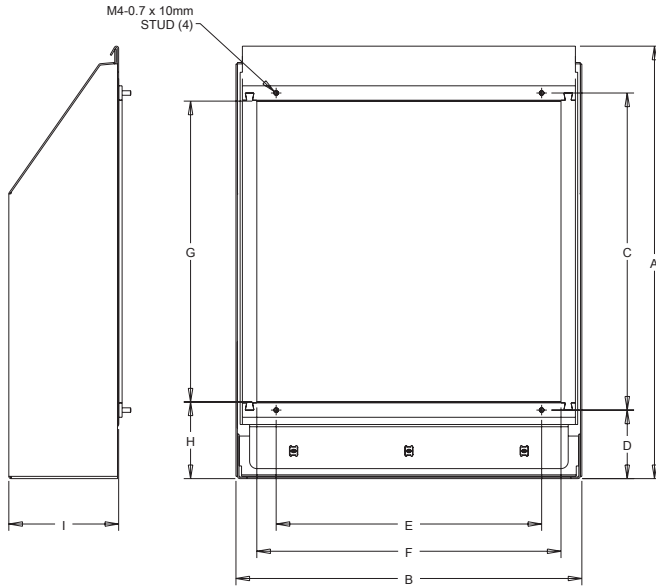
HH Model, Type 3R

INSTRUCTION MANUAL



When properly installed, maintains UL /cUL Type 3R when used to cover Type 1 or UL Listed FTFA HF/HG and TFP/TEP series filter fan kits. 3R shroud cover must remain on to maintain 3R rating. To change the filter media, refer to the filter fan instruction manual





| Catalog Number | A | B | C | D | E | F | G | H | I |
|----------------|------------------|------------------|------------------|----------------|------------------|------------------|------------------|----------------|-----------------|
| HH05 | 266.3 [10.48] | 203.2 [8.00] | 177.8 [7.00] | 60.1 [2.36] | 127.0 [5.00] | 171.4 [6.75] | 160.8 [6.33] | 68.7 [2.70] | 47.0 [1.85] |
| HH10 | 381.0 [15.00] | 304.8 [12.00] | 279.4 [11.00] | 60.4 [2.38] | 233.9 [9.21] | 268.1 [10.55] | 265.1 [10.44] | 67.5 [2.66] | 96.8 [3.81] |
| HH13 | 457.2 [18.00] | 381.0 [15.00] | 355.6 [14.00] | 73.7 [2.90] | 302.0 [11.89] | 341.3 [13.44] | 341.3 [13.44] | 80.8 [3.18] | 120.9 [4.76] |

COMPONENT LIST

| Model | Part Number | Part Description |
|----------------------|-------------|----------------------|
| HH05GS61001 | 89143084SP | DOOR STRIKE, STEEL |
| HH10GS61001 | | |
| HH13GS61001 | | |
| HH05GS35001 | | |
| HH10GS35001 | | |
| HH13GS35001 | | |
| HH05SS04001 | 89105485SP | DOOR STRIKE, PLASTIC |
| HH10SS04001 | | |
| HH13SS04001 | | |
| ALL HH05-HH13 MODELS | 89105486SP | DOOR CATCH |
| ALL HH05 MODELS | 89140464SP | GASKET HH05 |
| ALL HH10 MODELS | 89140509SP | GASKET ,HH10 |
| ALL HH13 MODELS | 89140459SP | GASKET, HH13 |

WARRANTY

hoffman.nVent.com/warranty-information



nVent
2100 Hoffman Way
Anoka, MN 55303 USA
☎ +1.763.422.2211
📠 +1.763.576.3200

nVent.com