

**MYERS®**

VR1 & VR2 SERIES  
1 & 2 HP AUTOMATIC  
GRINDER PUMPS

SHREDDING  
WASTEWATER  
CHALLENGES



**PATENTED AXIAL  
CUTTER TECHNOLOGY**



**EASY INSTALLATION**



**PERFORMANCE**



# MYERS® VR1 & VR2 SERIES AUTOMATIC GRINDER PUMPS

The new MYERS VR1 and VR2 grinders feature a patented axial cutter technology that easily slices through solids and trash found in domestic wastewater without roping or clogging. They come with plenty of standard features to make installation a breeze.



The VR1 is an ideal upgrade for residential sewage pumps struggling with trash and debris found in residential wastewater.

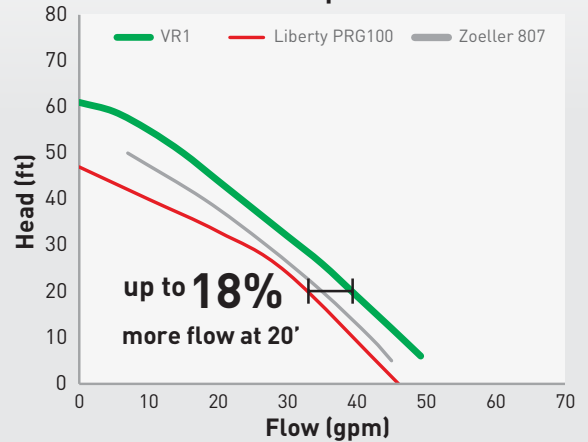


The VR2 is a rugged and economical solution for residential and pressure sewage systems.

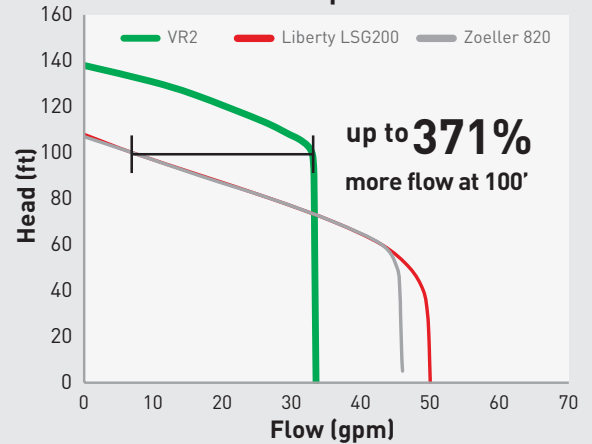


## OUTPERFORMING THE COMPETITION

### 1HP Pump Curves



### 2HP Pump Curves



\*Based on internal test data and published competitive flow curves.



### PATENTED AXIAL CUTTER TECHNOLOGY

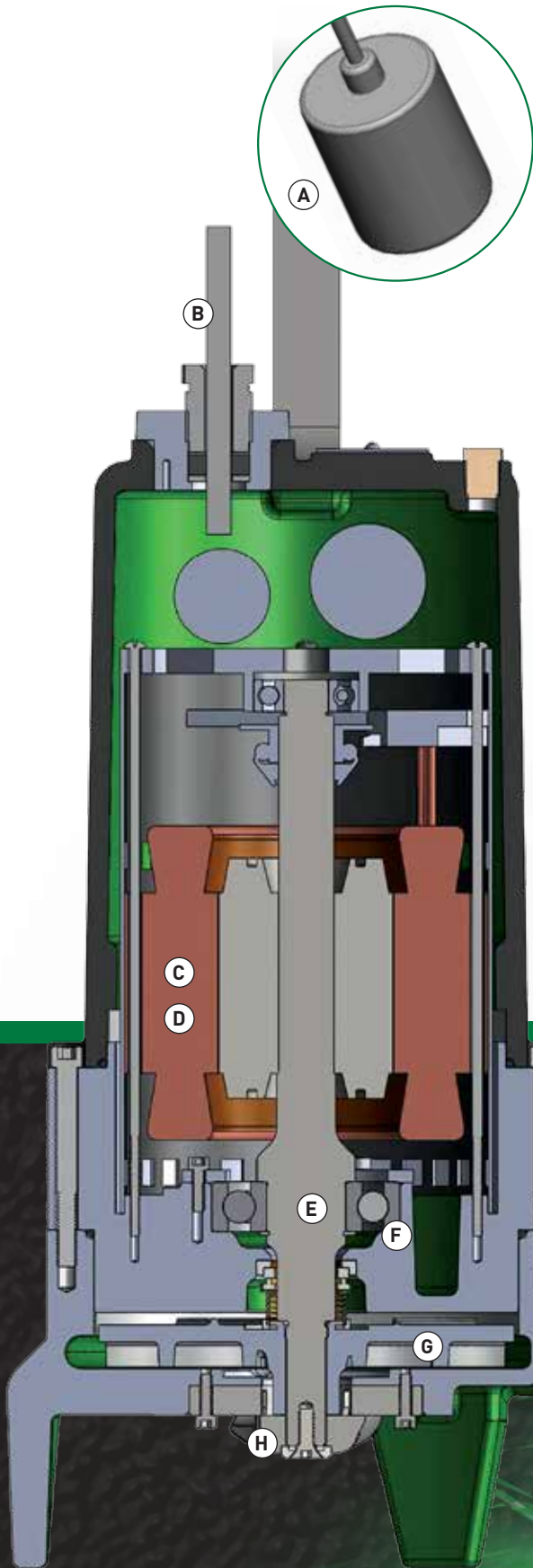
Easily slices through solids and trash found in domestic wastewater without roping or clogging.

Watch the video at [www.femyers.com](http://www.femyers.com)





# FEATURES



## A. Wide Angle Float Switch

- Piggy-back cord for easy maintenance

## B. Cable Entry System

- Cable jacket sealed by compression fitting and individual wires sealed by compression grommet for double seal protection against water ingress

## C. Oil-Filled Motor

- Maximizes heat dissipation and provides constant bearing lubrication for long life
- High torque start/run capacitor for single phase motors for assured starting under heavy loads.
- Internal capacitors eliminate need for control panel

## D. Integrated Heat Sensor

- Protects motor from burnout due to excessive heat from any overload condition. Automatically resets when motor has cooled

## E. Shaft and Fasteners

- Stainless steel for maximum corrosion resistance and long life

## F. Shaft Seals

- Oil lubricated single carbon and ceramic faced seal provides motor protection

## G. Impeller

- Semi-open impeller handles ground slurry without clogging or binding
- Pump-out vanes help keep trash from seal and reduces pressure at seal face for longer life

## H. Axial Cutter System

- Easily slice through solids and trash commonly found in domestic wastewater without roping or clogging
- Constructed of 440 SST hardened to 57-60Rc for long life
- Easily replaceable without dismantling pump

## I. Volute Case

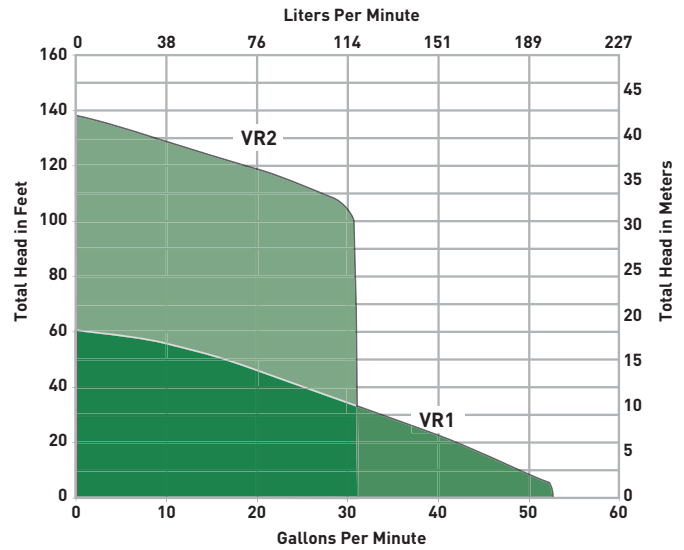
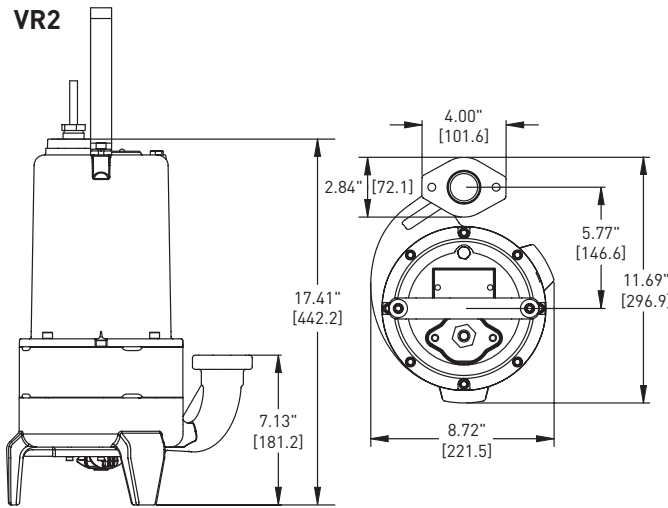
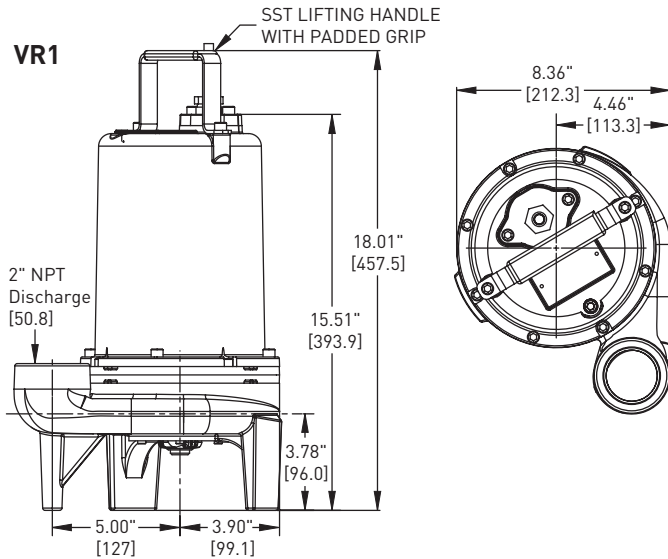
- Cast iron, 1-1/4" vertical, flanged discharge (VR2)
- 2" vertical discharge (VR1)



# PERFORMANCE DATA AND DIMENSIONS

3450 RPM

[Dimensions in mm]



## Product Capabilities

Capacities To:	VR1	52 gpm	196.8 lpm
	VR2	31 gpm	117 lpm
Heads To:	VR1	60 ft.	18.3 m
	VR2	138 ft.	42.1 m
Liquids Handling	domestic raw sewage		
Intermittent Liquid Temp.	up to 140°F		up to 60°C
Winding Insulation Temp. (Class F)	311°F		155°C
Motor Electrical Data	3450 rpm, 60 Hz, 1 ph 115V (VR1), 230V (VR1 and VR2)		
Std. Third Party Approvals	CSA		
Acceptable pH Range	6 - 9		
Specific Gravity	.9 - 1.1		
Viscosity	28 - 35 SSU		
Discharge (Flange Dia.)	VR1	2 in.	50.8 mm
	VR2	1-1/4 in.	31.75 mm
Min. Sump Diameter	VR1	24 in.	61.0 mm
	VR2 Simplex	24 in.	61.0 cm
	VR2 Duplex	36 in.	91.4 cm

## Electrical Data

Model	Engineering Number	HP	Voltage	Phase	Hz	Amps	Cord Length	Discharge	Switch	Weight
VRS10A-11	28172D000	1	115	1	60	13	20	2"	Auto	70
VRS10M-11	28172D001	1	115	1	60	13	20	2"	Manual	70
VRS10A-21	28172D002	1	230	1	60	7	20	2"	Auto	70
VRS10M-21	28172D003	1	230	1	60	7	20	2"	Manual	70
VRS20A-21	28200D000	2	230	1	60	15	20	1-1/4"	Auto	95
VRS20M-21	28200D010	2	230	1	60	15	20	1-1/4"	Manual	95

## Construction Materials

Motor Housing, Seal Housing, Cord Cap and Volute Case	Cast Iron, Class 30, ASTM A48
Semi-Open Impeller	VR1 = thermoplastic VR2 = stainless steel
Power Cord	SJ00W
Mechanical Seals: Standard	Carbon and Ceramic
Pump, Motor Shaft	416 SST
Fasteners	300 Series SST
Cutting Mechanism	440 SST 58-60 Rockwell



1101 MYERS PARKWAY, ASHLAND, OH 44805 WWW.FEMYERS.COM  
PH: 855-274-8947

Because we are continuously improving our products and services, Pentair reserves the right to change specifications without prior notice.